

Roller Blind

Ti-1029B/S



- Two standard systems are available.
Ti-1029B: the Ball Chain Drive System
Ti-1029S: the Spring Drive System
- The Ti-1029B/S, these are simple and functional roller blinds.
- Blinds up to 2000 mm (79") width and 2500 mm (98") height with 2.0 kg (4.4 lb) screen weight are possible.

Ti-1029B/S

Ti-1029B/S's Unique Features

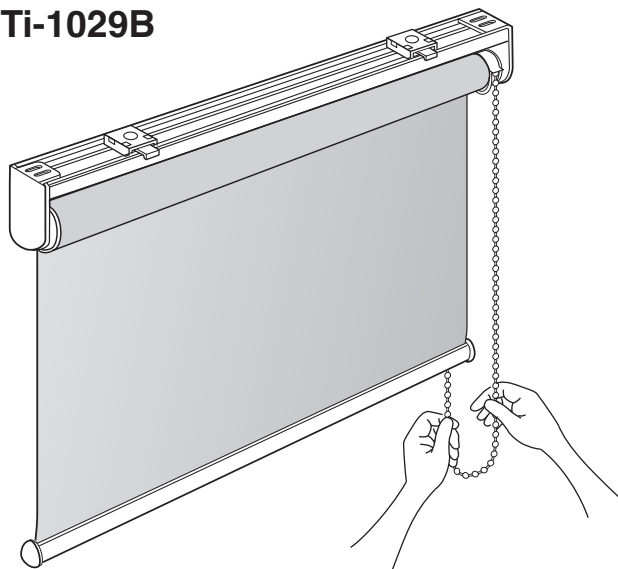
Light and smooth operation.

Ti-1029B, operates with the Ball Chain.

Ti-1029S equips the speed adjustment dial with its Spring Drive System.

These two systems enable light and smooth operation of the blind.

Ti-1029B



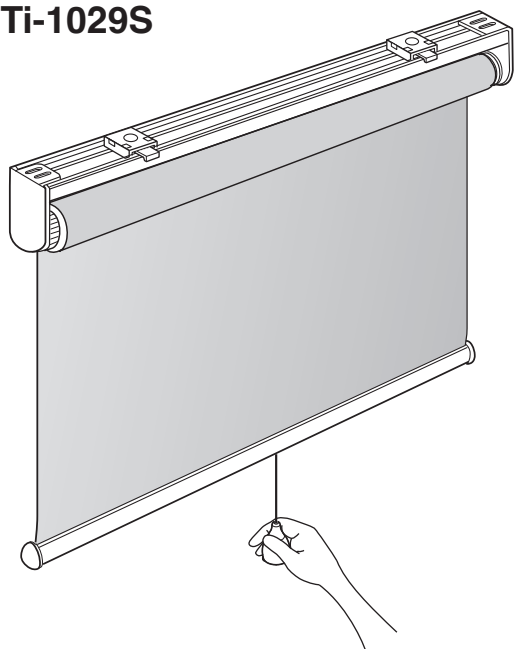
Ball Chain Drive System

- It is available for small or large window at a wide range.
- Ti-1029B has Set Bar or Side Bracket types.

Maximum Screen Weight		2.0 kg (4.4 lb)
Allowable Size	Product Width (W)	300 mm (12") to 2000 mm (79")
	Product Height (H)	300 mm (12") to 2500 mm (98")
	Ratio (W : H)	1 : 3 (limit)

Notes: Regarding allowable size (W, H, Ratio), depending on material and weight, the screen may get wrinkled, curled or frayed.
Allowable screen size is different according to the screen material.

Ti-1029S



Spring Drive System

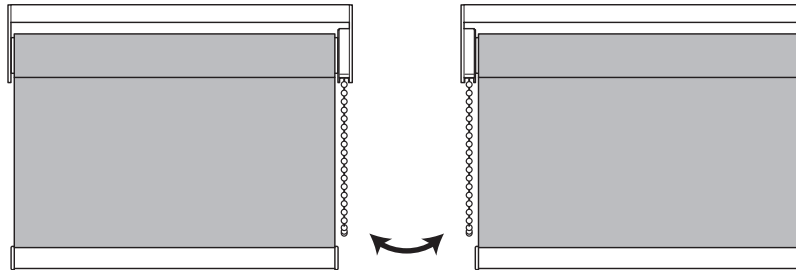
- Just pull down the pull set, and the blind stops at anywhere you want. To raise the screen, pull the pull set just a little. The blind rolls up at the same speed without acceleration.
- Speed adjustable for roll up screen.
- Ti-1029S has Set Bar type only.

Maximum Screen Weight		1.8 kg (4.0 lb)
Allowable Size	Product Width (W)	450 mm (18") to 2000 mm (79")
	Product Height (H)	300 mm (12") to 3000 mm (118")
	Ratio (W : H)	1 : 3 (limit)

Notes: Regarding allowable size (W, H, Ratio), depending on material and weight, the screen may get wrinkled, curled or frayed.
Allowable screen size is different according to the screen material.

Operation position changing at right or left For product type: **Ti-1029B**

- Operation position is possible to change at right or left, because mounting parts are common at both types.



Speed adjustment dial For product type: **Ti-1029S**

- The speed adjustment dial, which is provided as standard equipment, makes it possible to adjust how fast the screen rises, without using any tools and without detaching the roller blind.

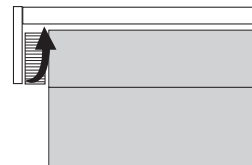
How to use the speed adjustment dial

- To make the screen rise more quickly



Stop the screen at the halfway up (or down) position and turn the dial as if rolling it toward you.

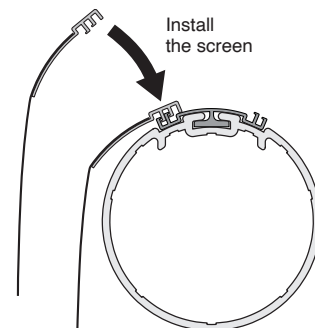
- To make the screen rise more slowly



Stop the screen at the halfway up (or down) position and turn the dial as if rolling it away from you.

Fastening Plate (Option) For product type: **Ti-1029B** **Ti-1029S**

- Exchange of screen is possible by Fastening Plate.
- It is possible to remove from the unit, and screen can be washed. (For the washable type screen.)



Ti-1029B

■ Set Bar Type



*The bracket can be obscured by installing the bracket back and forth opposite, when setting it up.

■ Side Bracket Type



- Blinds up to 2000 mm (79") width and 2500 mm (98") height with 2.0 kg (4.4 lb) screen weight are possible.
- With Set Bar type, installation is very simple. Mounting the brackets first and then snap the blind onto the brackets.

Ti-1029S

■ Set Bar Type



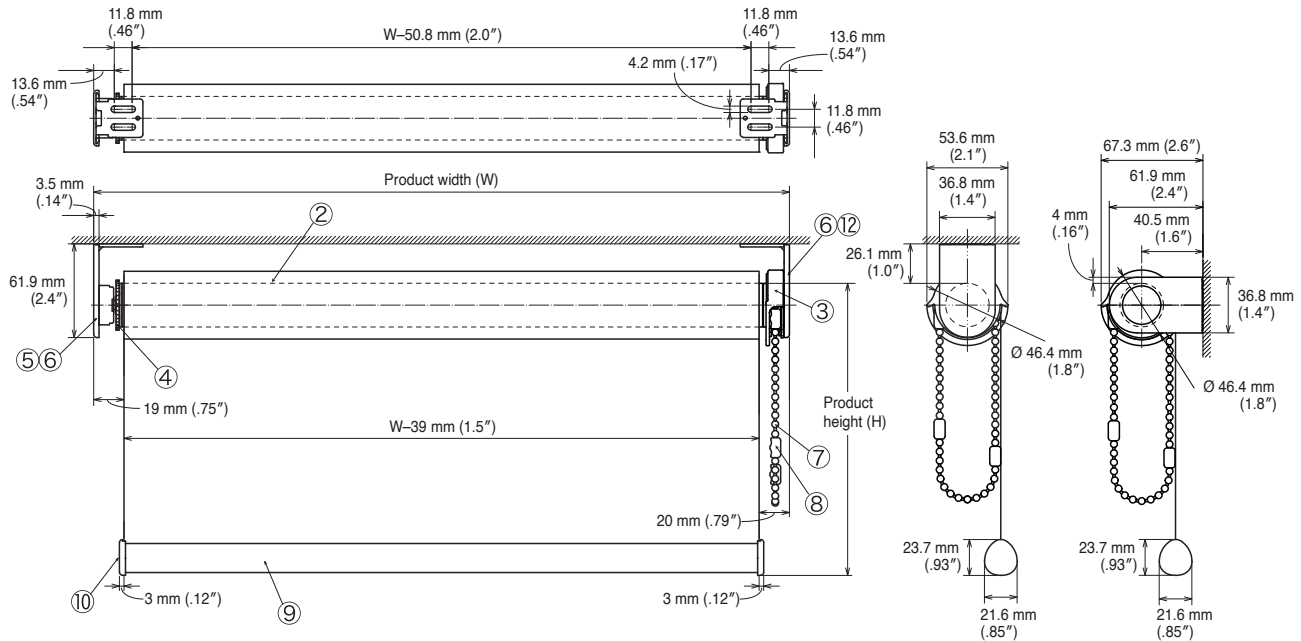
- No irritation to stop the blind. The mechanism assures you to stop the blind anywhere as you want.
- With Set Bar type, installation is very simple.
Mounting the brackets first and then snap the blind onto the brackets.

Structure Drawing — Ti-1029B

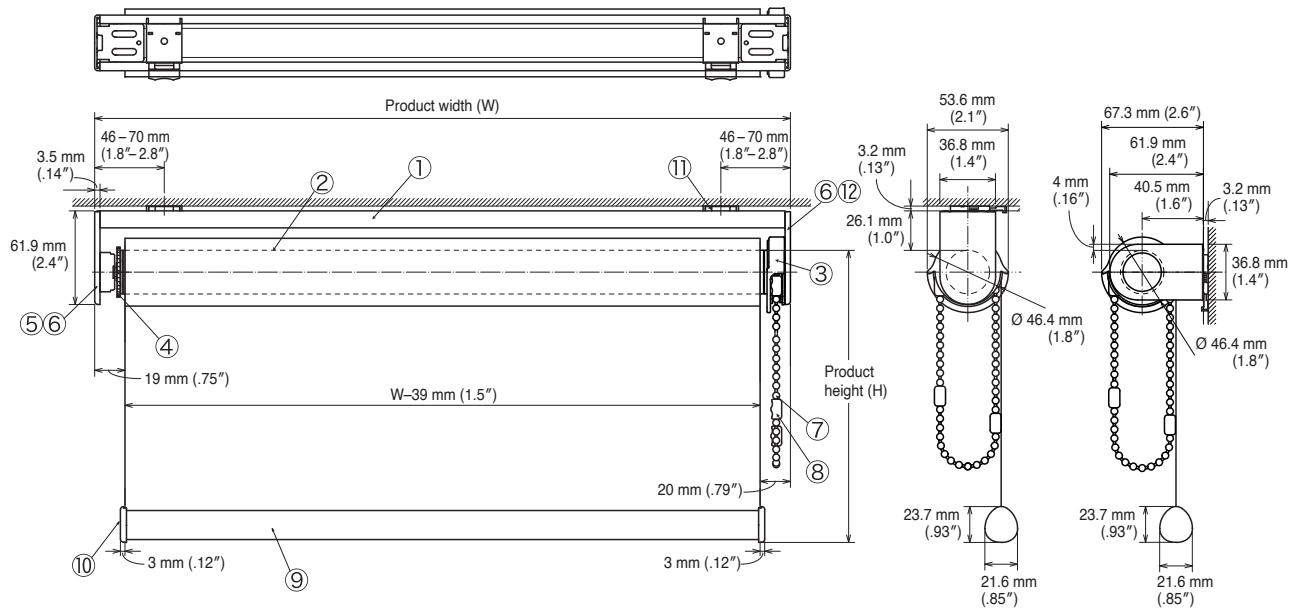
Product View

*Refer to 10 page for the Installation Dimension.

■ Side Bracket Type



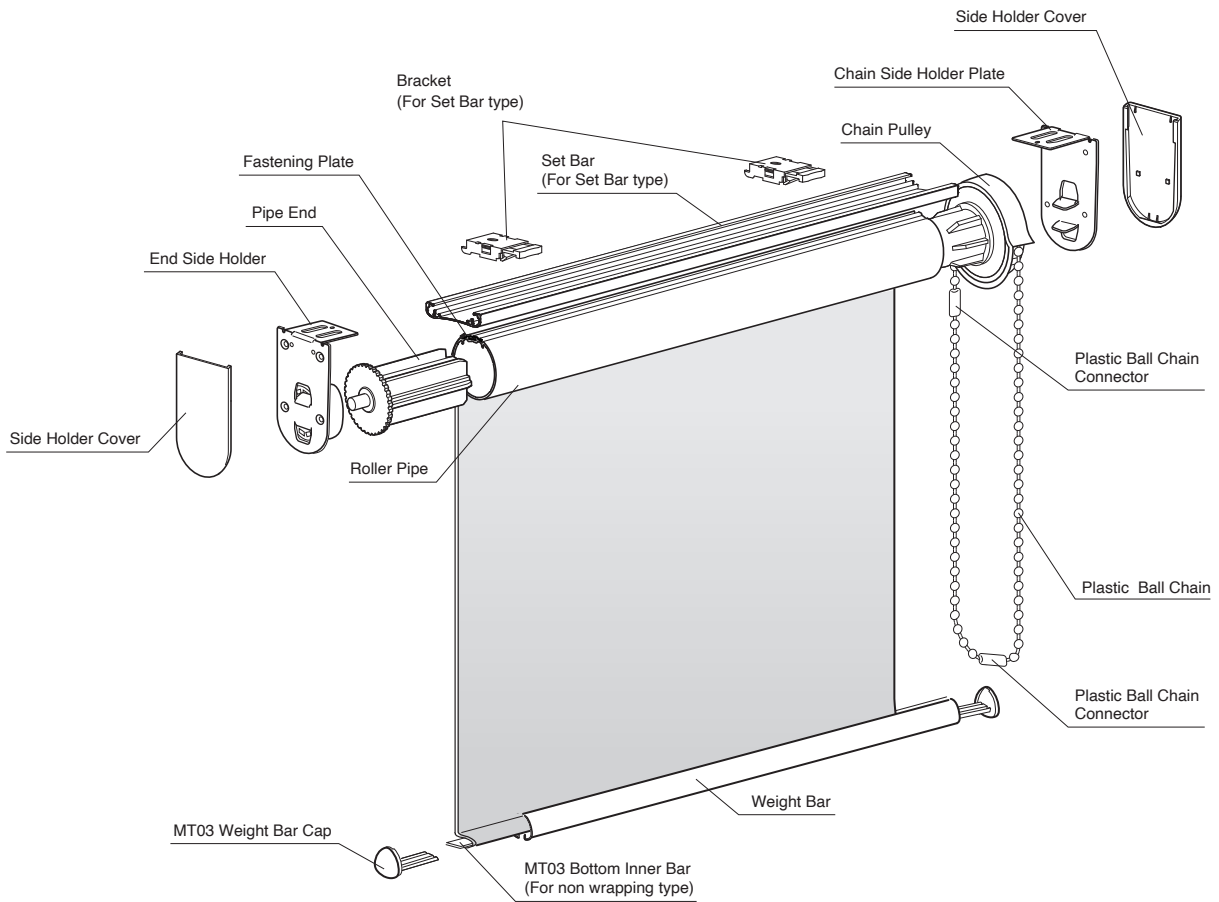
■ Set Bar Type



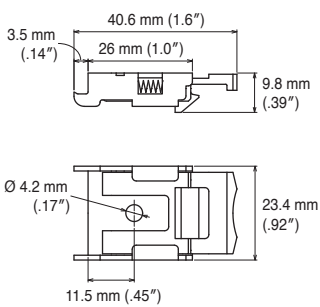
Components and Materials

No.	Components	Material	No.	Components	Material	No.	Components	Material
①	Set Bar	Aluminum	⑤	End Side Holder	Steel, Molded resin	⑨	Weight Bar	Molded resin
②	Roller Pipe	Aluminum	⑥	Side Holder Cover	Molded resin	⑩	MT03 Weight Bar Cap	Molded resin
③	Chain Pulley	Steel, Molded resin	⑦	Plastic Ball Chain	Molded resin	⑪	Bracket	Steel, Molded resin
④	Pipe End	SUS, Molded resin	⑧	Plastic Ball Chain Connector	Molded resin	⑫	Chain Side Holder Plate	Steel

Exploded View



Bracket



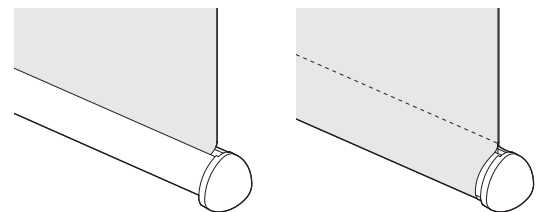
*Set Bar type only.

Product Width	Number of Bracket
1300 mm (51") or less	2
1305 mm (51") or more	3

Weight Bar

Non wrapping type

Wrapping type



Specifications

		Side Bracket Type	Set Bar Type
Maximum Screen Weight		2.0 kg (4.4 lb)	
Product Weight		1.8 kg (4.0 lb)	2.2 kg (4.9 lb)
(Width: 2000 mm/79" without screen) Ex.: Ball Chain length is 3000 mm (118")			
Allowable Size	Product Width (W)	300 mm (11.8") to 2000 mm (78.7")	
	Product Height (H)	300 mm (11.8") to 2500 mm (98.4")	
	Ratio (W : H)	1 : 3 (limit)	

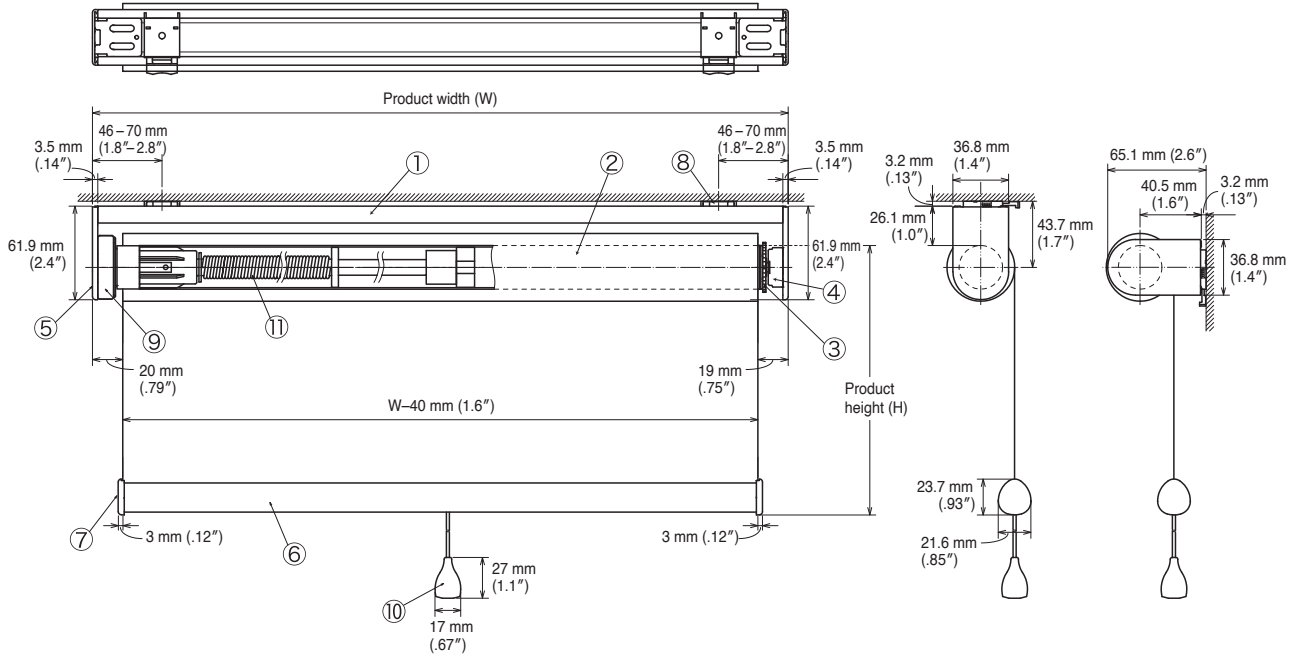
Notes: Regarding allowable size (W, H, Ratio), depending on material and weight, the screen may get wrinkled, curled or frayed. Allowable screen size is different according to the screen material.

Structure Drawing – Ti-1029S

Product View

*Refer to 10 page for the Installation Dimension.

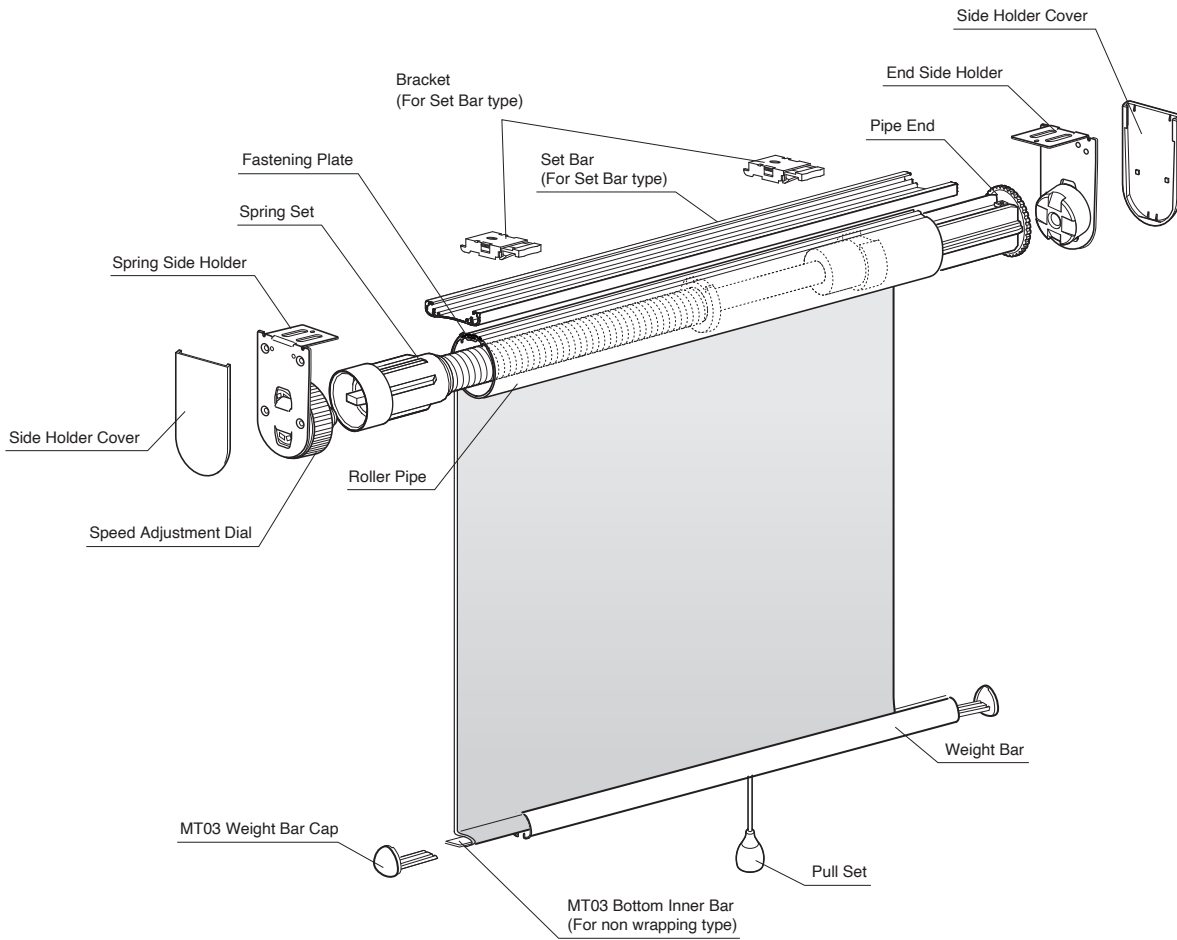
■ Set Bar Type



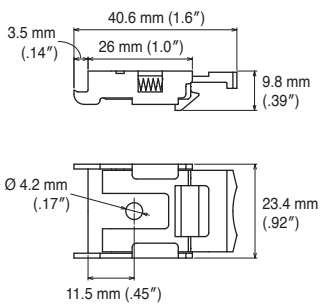
Components and Materials

No.	Components	Material	No.	Components	Material
①	Set Bar	Aluminum	⑦	MT03 Weight Bar Cap	Molded resin
②	Roller Pipe	Aluminum	⑧	Bracket	Steel, Molded resin
③	Pipe End	Steel, Molded resin	⑨	Spring Side Holder	Steel, Molded resin
④	End Side Holder	Steel, Molded resin	⑩	Pull Set	Molded resin
⑤	Side Holder Cover	Molded resin	⑪	Spring Set	Steel, Molded resin
⑥	Weight Bar	Molded resin			

Exploded View



Bracket

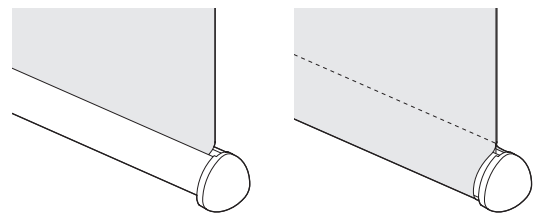


Product Width	Number of Bracket
1300 mm (51") or less	2
1305 mm (51") or more	3

Weight Bar

Non wrapping type

Wrapping type



Specifications

		Set Bar Type
Maximum Screen Weight		1.8 kg (4.0 lb)
Product Weight		1.7 kg (3.7 lb)
		(Width: 2000 mm/79" without screen) Ex.: Spring Set D
Allowable Size	Product Width (W)	450 mm (17.7") to 2000 mm (78.7")
	Product Height (H)	300 mm (11.8") to 3000 mm (118")
	Ratio (W : H)	1 : 3 (limit)


Notes: Regarding allowable size (W, H, Ratio), depending on material and weight, the screen may get wrinkled, curled or frayed. Allowable screen size is different according to the screen material.

Typical Roll-up Diameter

Set Bar Type For product type: **Ti-1029B** **Ti-1029S**

Class (Thickness)	Height	400 mm (16")	800 mm (32")	1200 mm (47")	1600 mm (63")	2000 mm (79")	2400 mm (94")	2800 mm (110")	3000 mm (118")
		A	-0.20 mm	31 mm (1.2")	33 mm (1.3")	34 mm (1.3")	36 mm (1.4")	37 mm (1.5")	38 mm (1.5")
B	0.21-0.30 mm	32 mm (1.3")	35 mm (1.4")	37 mm (1.5")	39 mm (1.5")	41 mm (1.6")	42 mm (1.7")	44 mm (1.7")	45 mm (1.8")
C	0.31-0.40 mm	33 mm (1.3")	36 mm (1.4")	39 mm (1.5")	41 mm (1.6")	44 mm (1.7")	46 mm (1.8")	48 mm (1.9")	49 mm (1.9")
D	0.41-0.50 mm	34 mm (1.3")	38 mm (1.5")	41 mm (1.6")	44 mm (1.7")	47 mm (1.9")	49 mm (1.9")	52 mm (2.0")	53 mm (2.1")
E	0.51-0.60 mm	35 mm (1.4")	39 mm (1.5")	43 mm (1.7")	46 mm (1.8")	50 mm (2.0")	53 mm (2.1")	55 mm (2.2")	57 mm (2.2")
F	0.61-0.70 mm	36 mm (1.4")	41 mm (1.6")	45 mm (1.8")	49 mm (1.9")	52 mm (2.0")	56 mm (2.2")	—	—
G	0.71-0.80 mm	37 mm (1.5")	42 mm (1.7")	47 mm (1.9")	51 mm (2.0")	55 mm (2.2")	—	—	—
H	0.81-0.90 mm	38 mm (1.5")	44 mm (1.7")	49 mm (1.9")	53 mm (2.1")	57 mm (2.2")	—	—	—
I	0.91-1.00 mm	39 mm (1.5")	45 mm (1.8")	50 mm (2.0")	55 mm (2.2")	—	—	—	—
J	1.01-1.10 mm	40 mm (1.6")	46 mm (1.8")	52 mm (2.0")	57 mm (2.2")	—	—	—	—
K	1.11-1.20 mm	41 mm (1.6")	48 mm (1.9")	54 mm (2.1")	—	—	—	—	—
L	1.21-1.37 mm	42 mm (1.7")	50 mm (2.0")	56 mm (2.2")	—	—	—	—	—

*The roll-up diameter might be actually different.

Wall attachment:  area
Ceiling attachment: all area

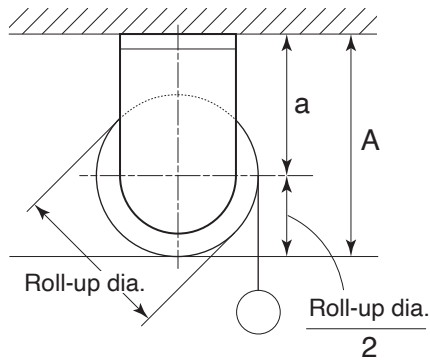
Side Bracket Type For product type: **Ti-1029B**

Class (Thickness)	Height	400 mm (16")	800 mm (32")	1200 mm (47")	1600 mm (63")	2000 mm (79")	2400 mm (94")
		A	-0.20 mm	31 mm (1.2")	33 mm (1.3")	34 mm (1.3")	36 mm (1.4")
B	0.21-0.30 mm	32 mm (1.3")	35 mm (1.4")	37 mm (1.5")	39 mm (1.5")	41 mm (1.6")	42 mm (1.7")
C	0.31-0.40 mm	33 mm (1.3")	36 mm (1.4")	39 mm (1.5")	41 mm (1.6")	44 mm (1.7")	46 mm (1.8")
D	0.41-0.50 mm	34 mm (1.3")	38 mm (1.5")	41 mm (1.6")	44 mm (1.7")	47 mm (1.9")	49 mm (1.9")
E	0.51-0.60 mm	35 mm (1.4")	39 mm (1.5")	43 mm (1.7")	46 mm (1.8")	50 mm (2.0")	53 mm (2.1")
F	0.61-0.70 mm	36 mm (1.4")	41 mm (1.6")	45 mm (1.8")	49 mm (1.9")	52 mm (2.0")	56 mm (2.2")
G	0.71-0.80 mm	37 mm (1.5")	42 mm (1.7")	47 mm (1.9")	51 mm (2.0")	55 mm (2.2")	58 mm (2.3")
H	0.81-0.90 mm	38 mm (1.5")	44 mm (1.7")	49 mm (1.9")	53 mm (2.1")	57 mm (2.2")	61 mm (2.4")
I	0.91-1.00 mm	39 mm (1.5")	45 mm (1.8")	50 mm (2.0")	55 mm (2.2")	60 mm (2.4")	64 mm (2.5")
J	1.01-1.10 mm	40 mm (1.6")	46 mm (1.8")	52 mm (2.0")	57 mm (2.2")	62 mm (2.4")	66 mm (2.6")
K	1.11-1.20 mm	41 mm (1.6")	48 mm (1.9")	54 mm (2.1")	59 mm (2.3")	64 mm (2.5")	69 mm (2.7")
L	1.21-1.37 mm	42 mm (1.7")	50 mm (2.0")	56 mm (2.2")	62 mm (2.4")	68 mm (2.7")	—

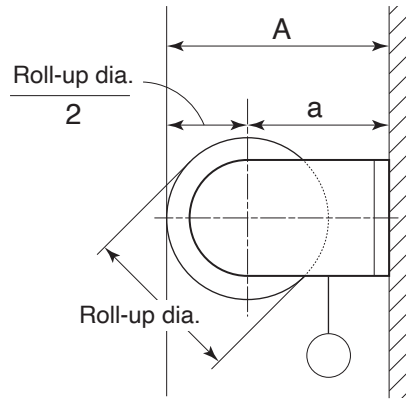
*The roll-up diameter might be actually different.
*Please contact our local agent for another size.

Installation Dimensions

Ceiling attachment



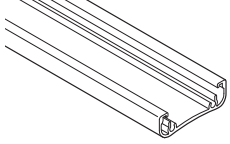
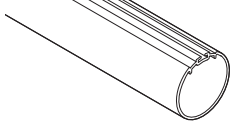
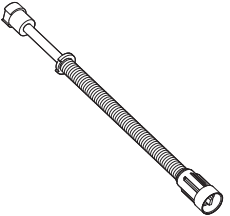
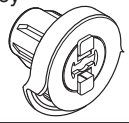
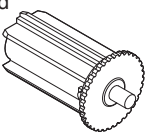
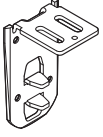
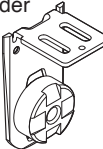

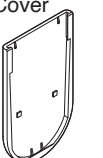
Wall attachment

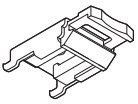
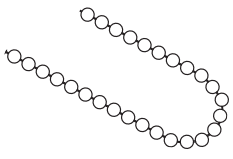

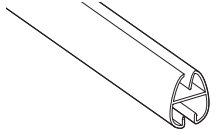
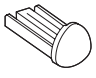
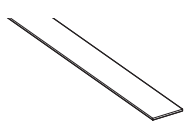

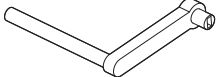




$$A = a + \frac{\text{Roll-up dia.}}{2}$$

Product		a
Ti-1029B	Side Bracket Type	41 mm (1.6")
	Set Bar Type	44 mm (1.7")
Ti-1029S	Set Bar Type	44 mm (1.7")

*The dimensions above are common to all types: Side Bracket type and Set Bar type.

Product Name		Ti-1029 B		Ti-1029 S	Product Code	
		Side Bracket Type	Set Bar Type	Set Bar Type		
Set Bar 2000 mm		White	—	○	30005419	
Roller Pipe 2000 mm			○	○	30005418	
Spring Set		A			30005425	
		B			30005426	
		C	—	—	○	30005427
		D				30005428
		E				30005429
		F				30005430
Chain Pulley		White	○	○	—	30005421
Pipe End			○	○	○	30005423
Chain Side Holder Plate			○	○	—	30005420
End Side Holder			○	○	○	30005422
Spring Side Holder			—	—	○	30005424
Side Holder Cover		White	○	○	○	30005437

Product Name		Ti-1029 B		Ti-1029 S	Product Code	
		Side Bracket Type	Set Bar Type	Set Bar Type		
Bracket		—	○	○	30005434	
Plastic Ball Chain		White	○	○	—	30005438
Plastic Ball Chain Connector		White	○	○	—	30005439
Weight Bar 2000 mm (Molded resin)		White	○	○	○	30005433
MT03 Weight Bar Cap		White	○	○	○	30005440
MT03 Bottom Inner Bar		2000 mm	○	○	○	30005441
Pull Set			—	—	○	30005431
*For non wrapping type						
Winder			—	—	○	30005432
Fastening Plate for Pipe			○	○	○	30005435
Fastening Plate for Screen			○	○	○	30005436