

Motorized Roller Blind

ATF45-RB

Mar. 2021
RENEWAL



- Perfect fit for large and high windows.
- Black-out operation is also available with Side Rails.
- Switch operation type and FM remote type are available.

ATF45-RB

ATF45-RB's Unique Features

Quiet operation less than 40 dB.

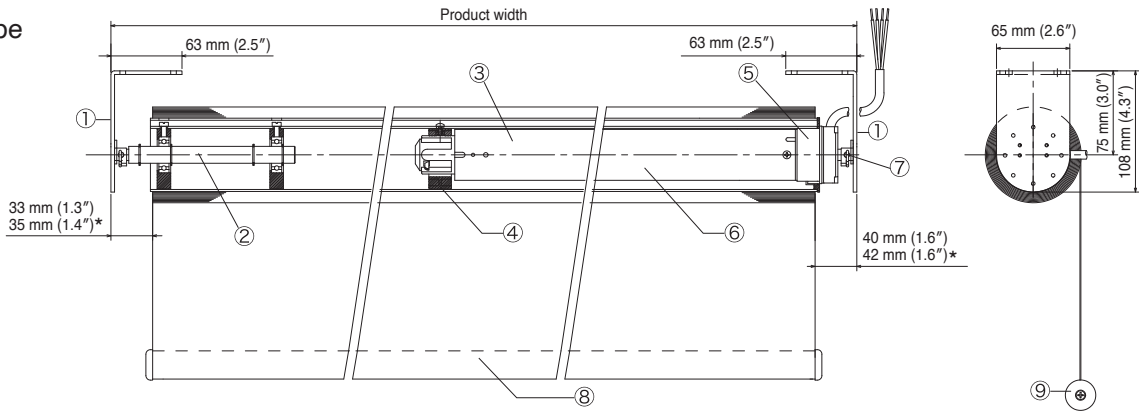
Fit for a large or high window:
up to 2.5 m (98") in width or
5 m (197") in height.

A black-out type is available with
Side Rails.

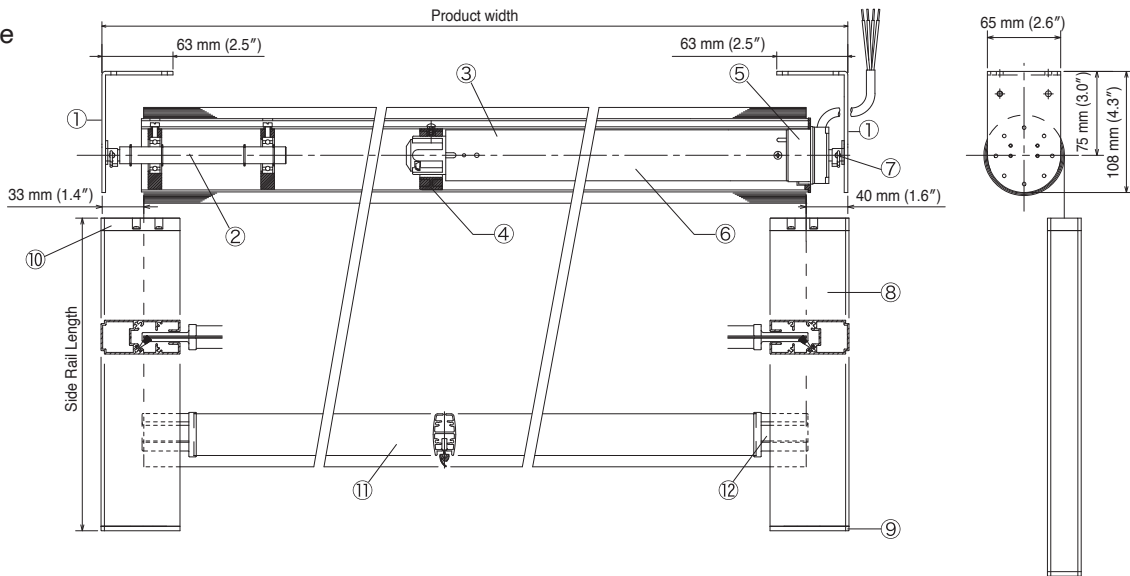
Switch operation type and FM remote
type (built-in FM Receiver) are available.

Structure Drawing

Standard Type



Black-out Type



Components and Materials

Standard Type

No.	Components	Material
①	ATF45 Side Bracket	Steel
②	ATF45-N Pipe End N	Steel + Zinc die-cast
③	ATF45-03Q (4NM) Tubular Motor	—
④	ATF45-03 Drive	Polyacetal resin
⑤	ATF45-S Limit Crown	Polyacetal resin
⑥	ATF45 Roller Pipe Ø 60	Aluminum
⑦	Split Pin	Steel
⑧	Weight Bar	Stainless steel
⑨	Weight Bar Cap	Stainless+Rubber

Black-out Type

No.	Components	Material
①	ATF45 Side Bracket	Steel
②	ATF45-N Pipe End N	Steel+Zinc die-cast
③	ATF45-03Q (4NM) Tubular Motor	—
④	ATF45-03 Drive	Polyacetal resin
⑤	ATF45-S Limit Crown	Polyacetal resin
⑥	ATF45 Roller Pipe Ø 60	Aluminum
⑦	Split Pin	Steel
⑧	Side Rail For Black-out	Aluminum
⑨	Side Rail Cap For Black-out	Polyamide
⑩	Side Rail Guide For Black-out	Polyamide
⑪	Weight Bar For Black-out	Aluminum
⑫	Weight Bar Cap For Black-out	Polyacetal resin

Motor Specifications

Power Source Voltage	V	AC220-230
Frequency	Hz	50/60
Current	A	0.485
Power Consumption	W	115
Rated Torque	Nm	4
Rated RPM	rpm	23
Rated Running Time	min.	4
Ambient Temperature	°C	-10 to 40

*Since this is not synchronized motor, RPM is vary depending on fabric weight.

Allowable Size

		Standard Type	Black-out Type
Width	45Q	900-2,500 mm (35-98")	900-2,000 mm (35-79")
	45QRF	1,000-2,500 mm (39-98")	1,000-2,000 mm (39-79")
Height		800-5,000 mm (31-197")	800-3,000 mm (31-118")
Max Surface area		10 m ² (12 yd ²) *	6 m ² (7 yd ²)

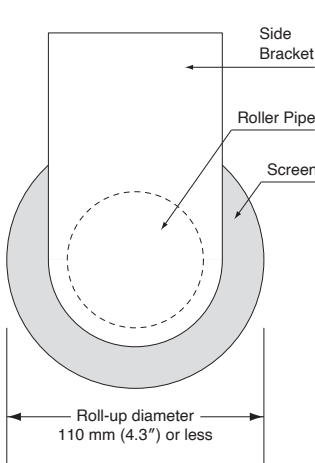
*Maximum dimension may change according to the width or thickness of screen

Product Weight

5.8 kg (13 lb)
(width: 2,000 mm/79" without screen)

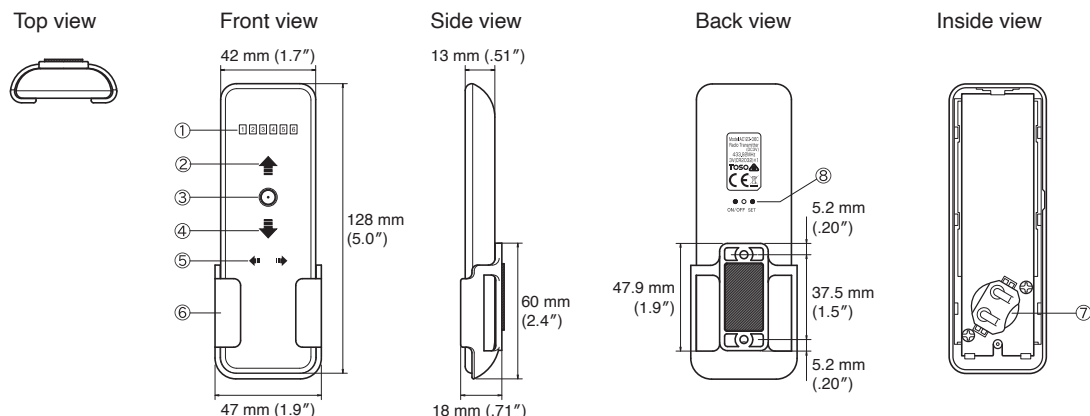
*Allowable size is different by the screen fabric. Please refer to "Typical Roll-up Diameter" and Rated Torque.

Typical Roll-up Diameter



Thickness	Height	Roll-up Diameter									
		500 mm (20")	1,000 mm (39")	1,500 mm (59")	2,000 mm (79")	2,500 mm (98")	3,000 mm (118")	3,500 mm (138")	4,000 mm (158")	4,500 mm (177")	5,000 mm (197")
0.1 mm	Roll-up diameter	66	66	67	67	68	68	69	69	70	70
	Number of rolling	5	7	10	12	14	17	19	21	24	26
0.2 mm	Roll-up diameter	67	68	69	70	71	72	72	73	74	75
	Number of rolling	5	7	10	12	14	16	19	21	23	25
0.3 mm	Roll-up diameter	68	69	71	72	73	75	76	77	78	80
	Number of rolling	5	7	9	12	14	16	18	20	22	24
0.4 mm	Roll-up diameter	69	71	72	74	76	78	79	81	82	84
	Number of rolling	5	7	9	11	14	16	18	20	22	24
0.5 mm	Roll-up diameter	70	72	74	76	78	80	82	84	86	88
	Number of rolling	5	7	9	11	13	15	17	19	21	23
0.6 mm	Roll-up diameter	71	73	76	78	81	83	85	88	90	92
	Number of rolling	5	7	9	11	13	15	17	19	21	22
0.7 mm	Roll-up diameter	72	75	78	80	83	86	88	91	93	96
	Number of rolling	5	7	9	11	13	15	17	18	20	22
0.8 mm	Roll-up diameter	72	76	79	82	85	88	91	94	97	99
	Number of rolling	5	7	9	11	13	15	16	18	20	21

FM Remote-Control Transmitter



Parts Name

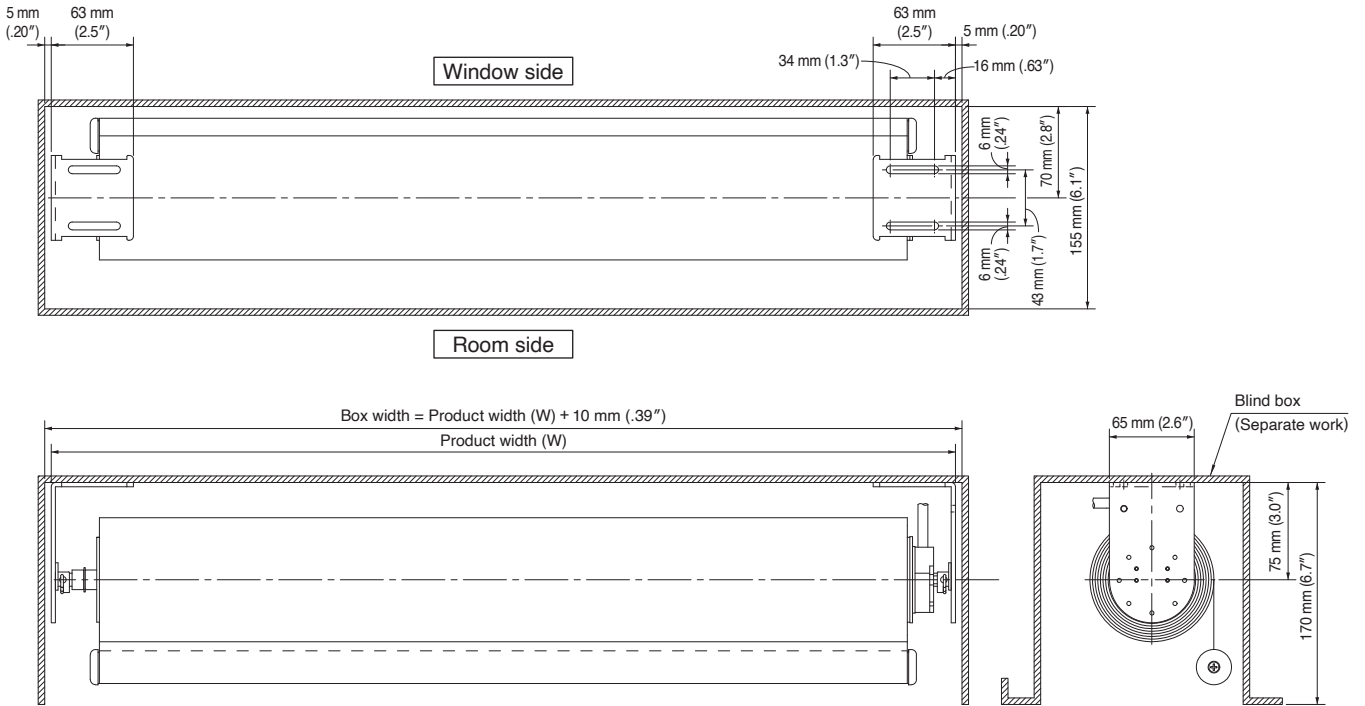
①	Address No. LED Indicator Lamp
②	Open Button
③	Stop Button
④	Close Button
⑤	Address No. Setting Button
⑥	Holder
⑦	Battery (CR2032)
⑧	ON/OFF Button

Specification

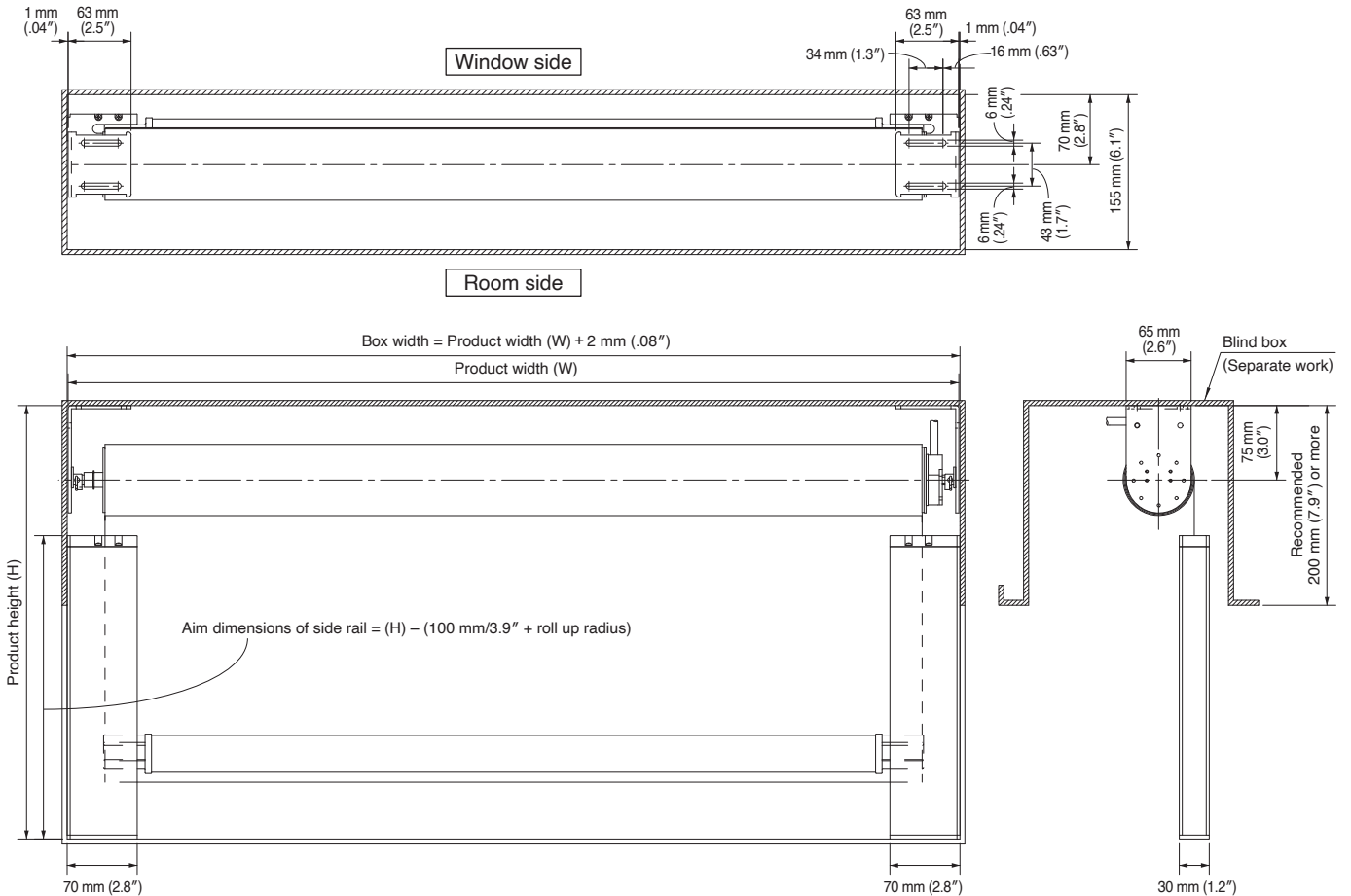
Source Voltage	DC 3V (CR2032 × 1)
Source Current	20 mA or lower
Wave Frequency	433.92 MHz
Number of Channel	1 to 6 (ALL for 6 CH)
Ambient Temperature	-10 to 50°C (Non-condensing)
Reaching Distance	30 m (varies depending on the condition)
Product Size	W 42 mm × H 128 mm × D 13 mm
Product Weight	Approx. 58 g

Overall Structure Drawing

Standard Type

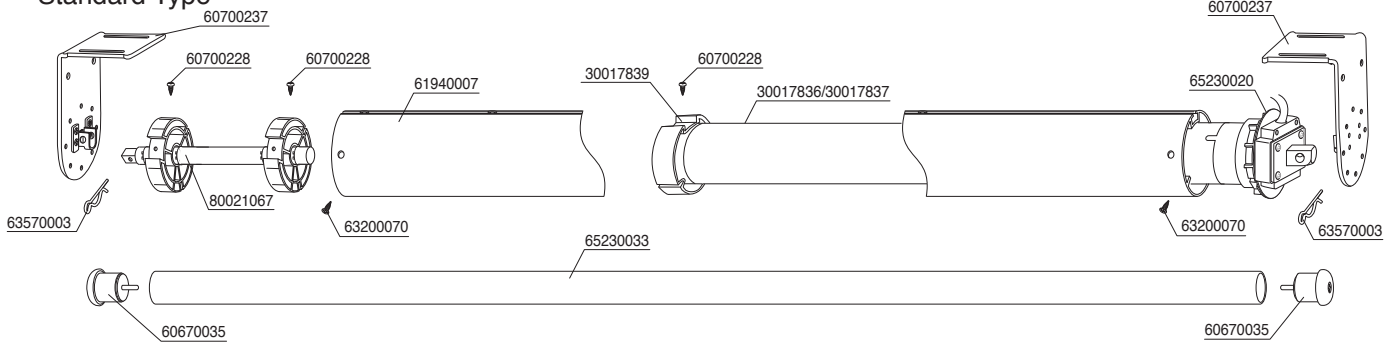


Black-out Type

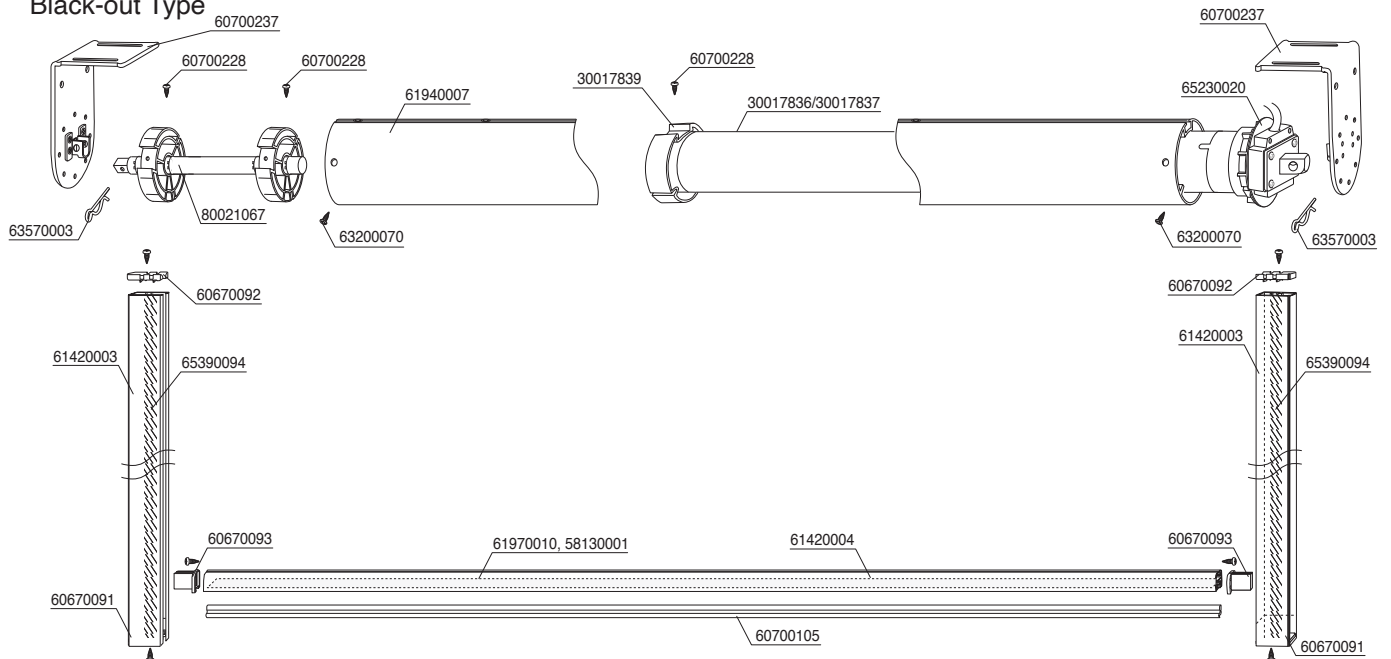


Exploded View

Standard Type



Black-out Type



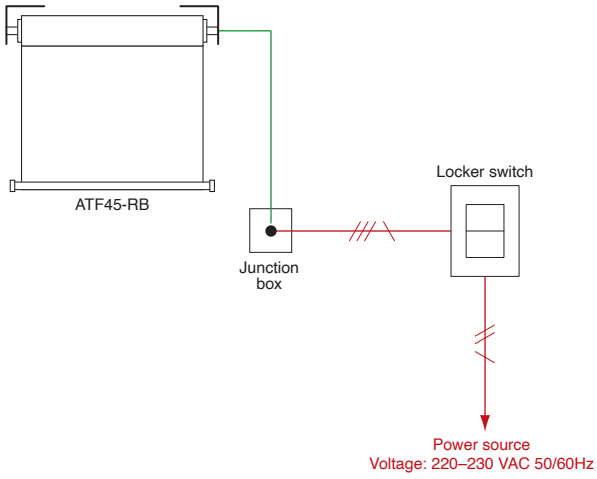
Parts and Components

Item No.	Product Name	Standard Type	Black-out Type
61940007	ATF45 Roller Pipe Ø 60 4,000 mm (157")	W-70 mm (2.8")	W-70 mm (2.8")
30017836	ATF45-03Q (switch operation)	1 set	1 set
30017837	ATF45-03QRF (RF operation)		
60700237	ATF45 Side Bracket	2 pcs	2 pcs
65230020	ATF45-S Limit Crown	1 pc	1 pc
30017839	ATF45-03 Drive	1 pc	1 pc
80021067	ATF45-N Pipe End N	1 pc	1 pc
65230033	Stainless Steel Weight Bar 4,000 mm (157")	[W:H=1:3] or over: W-77 mm (3.0") Up to [W:H=1:3]: W-73 mm (2.9")	—
60670035	Weight Bar Cap	2 pcs	2 pcs
63570003	Split Pin	2 pcs	2 pcs
63200070	Tapping Screw TS 3 × 10	2 pcs	2 pcs
60700228	Tapping Screw For Plastic Ø 4.0 × 8	3 pcs	3 pcs
61420003	Side Rail For Black Out 4,000 mm (158")	—	H- (100 mm/3.9" + roll-up radius) × 2 pcs
60670091	Side Rail Cap For Black Out	—	2 pcs
60670092	Side Rail Guide For Black Out	—	2 pcs
61420004	Weight Bar For Black Out 3,200 mm (126")	—	W-155 mm (6.1")
60700105	Weight Bar Cushion For Black Out 3,200 mm (126")	—	W-68 mm (2.7")
60670093	Weight Bar Cap For Black Out	—	2 pcs
61970010	Plastic Strip 2,000 mm (78")	—	W-74 mm (2.9")
58130001	Adhesive Double Coated Tape	—	W-74 mm (2.9")
65390094	Pile Tape PB 60140-2PNBR	—	H- (100 mm/3.9" + roll-up radius) × 2 pcs

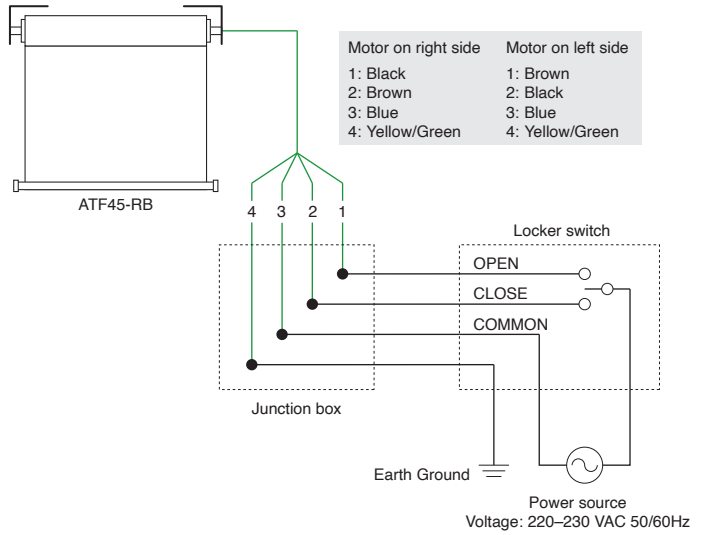
Basic Wiring and Connecting Diagram

Single Operation (ATF45-03Q)

Basic Wiring Diagram

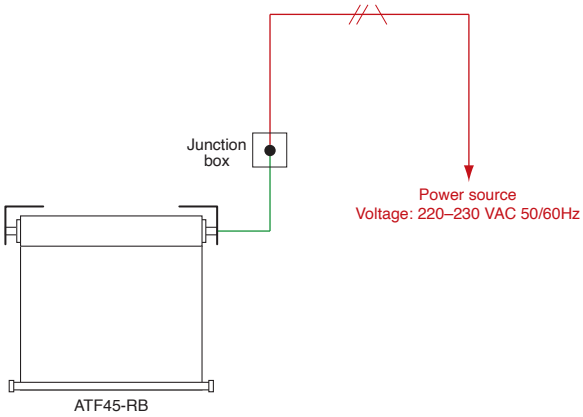


Basic Connecting Diagram

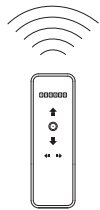
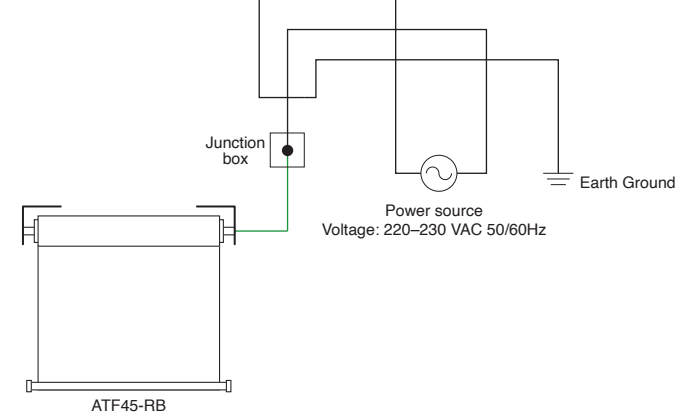


FM Remote-Control Built-in Receiver (ATF45-03QRF)

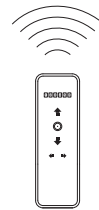
Basic Wiring Diagram



Basic Connecting Diagram



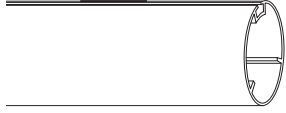
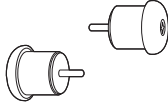

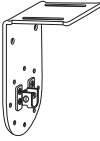
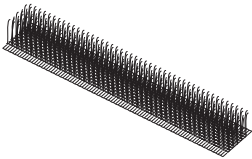
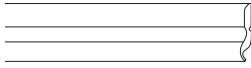
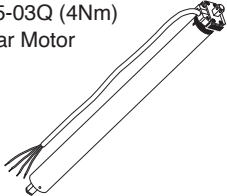

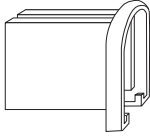
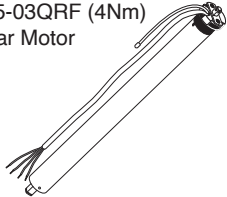
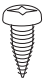
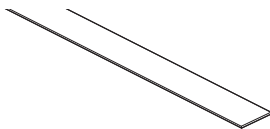


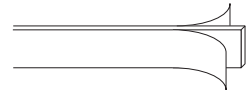
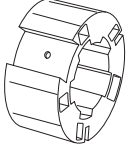
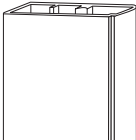
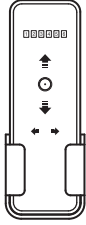
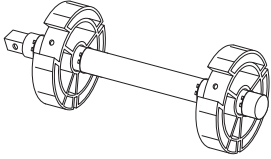
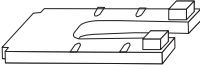
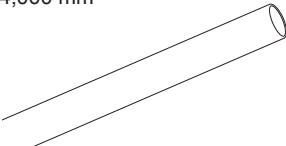
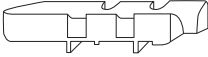
FM Remote-Control Transmitter



FM Remote-Control Transmitter

Explanatory notes: — Power supply, — Main body attachment or TOSO standard

ATF45-RB Parts

Product Name	Product Code	Product Name	Product Code	Product Name	Product Code
ATF45 Roller Pipe Ø 60 4,000 mm 	61940007	Weight Bar Cap 	60670035	Weight Bar for Black-out 3,200 mm 	61420004
ATF45 Side Bracket 	60700237	Pile Tape PB 60140-2PNBR 	65390094	Weight Bar Cushion for Black-out 3,200 mm 	60700105
ATF45-03Q (4Nm) Tubular Motor 	30017836	Split Pin 	63570003	Weight Bar Cap for Black-out 	60670093
ATF45-03QRF (4Nm) Tubular Motor 	30017837	Tapping Screw TS 3 x 10 	63200070	Plastic Strip 2,000 mm (Only necessary for Black-out type) 	61970010
ATF45-S Limit Crown 	65230020	Tapping Screw for Plastic Ø 4.0 x 8 	60700228	Adhesive Double Coated Tape (Only necessary for Black-out type) 	58130001
ATF45-03 Drive (Adapter) 	30017839	Side Rail for Black-out 4,000 mm 	61420003	FM Remote-Control Transmitter (6 channels) 	30006891
ATF45-N Pipe End N 	80021067	Side Rail Cap for Black Out 	60670091		
Stainless Steel Weight Bar 4,000 mm 	65230033	Side Rail Guide for Black-out 	60670092		

