

# Vinyl Curtain



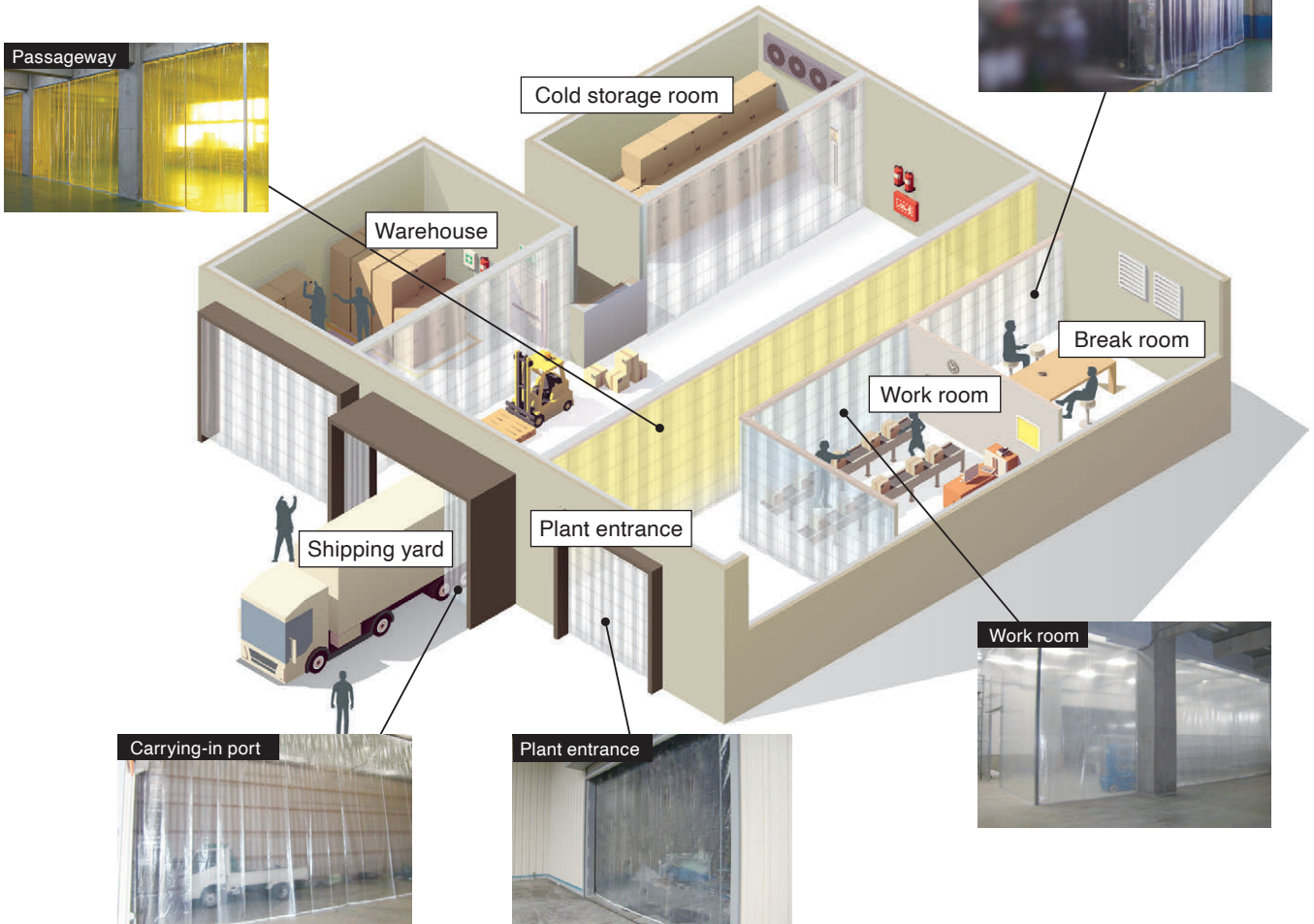
- Vinyl Curtains are widely used in factories, warehouses, offices, and stores.
- Vinyl Curtains are both durable and functional.
- Air conditioning efficiency is improved and it becomes an energy saving measure.

# Vinyl Curtain

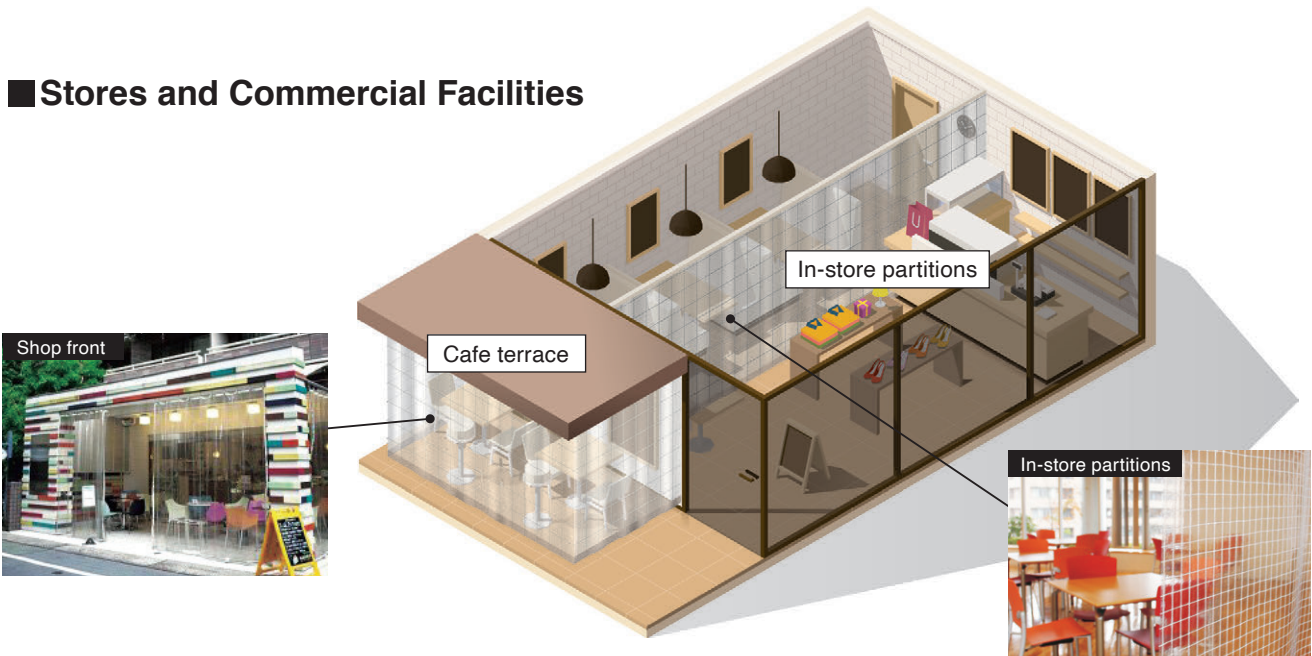
## Image for Vinyl Curtain Construction

Vinyl Curtains are widely used in factories, warehouses, offices, and stores. Because of durability and functionality, it can be used not only as a partition but also to increase the efficiency of air conditioning.

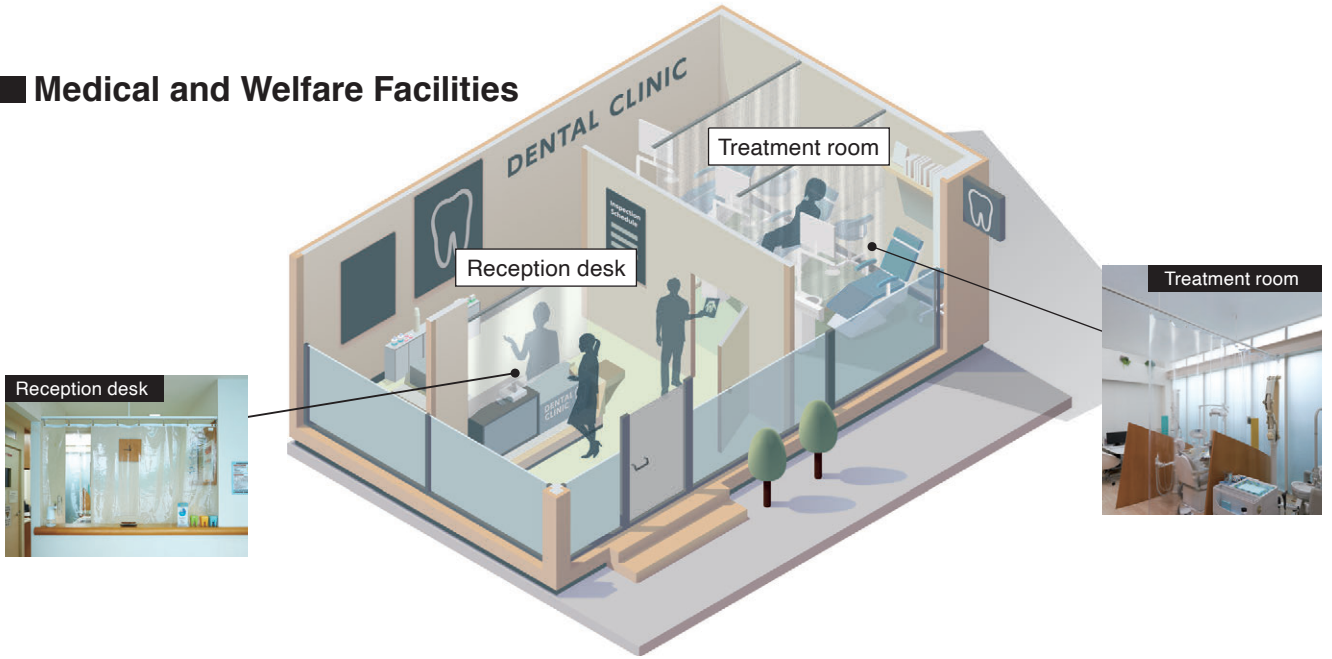
### ■ Plants, Warehouses, and Offices



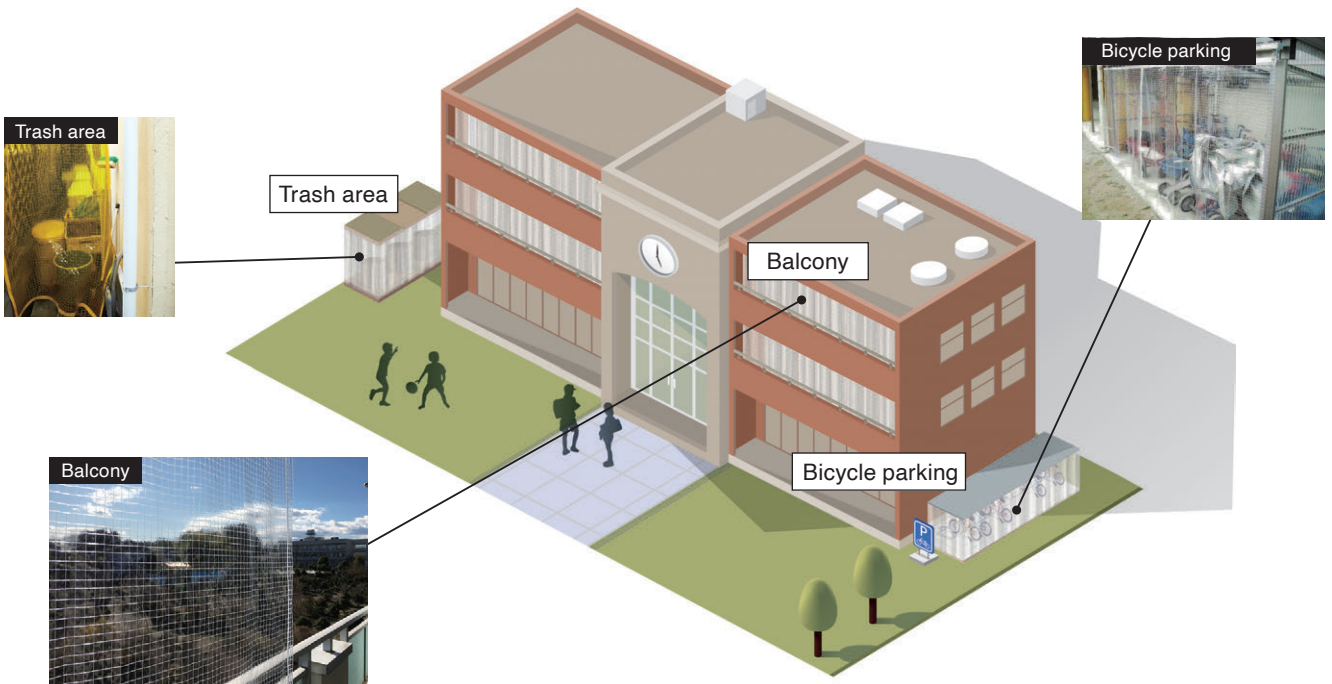
### ■ Stores and Commercial Facilities



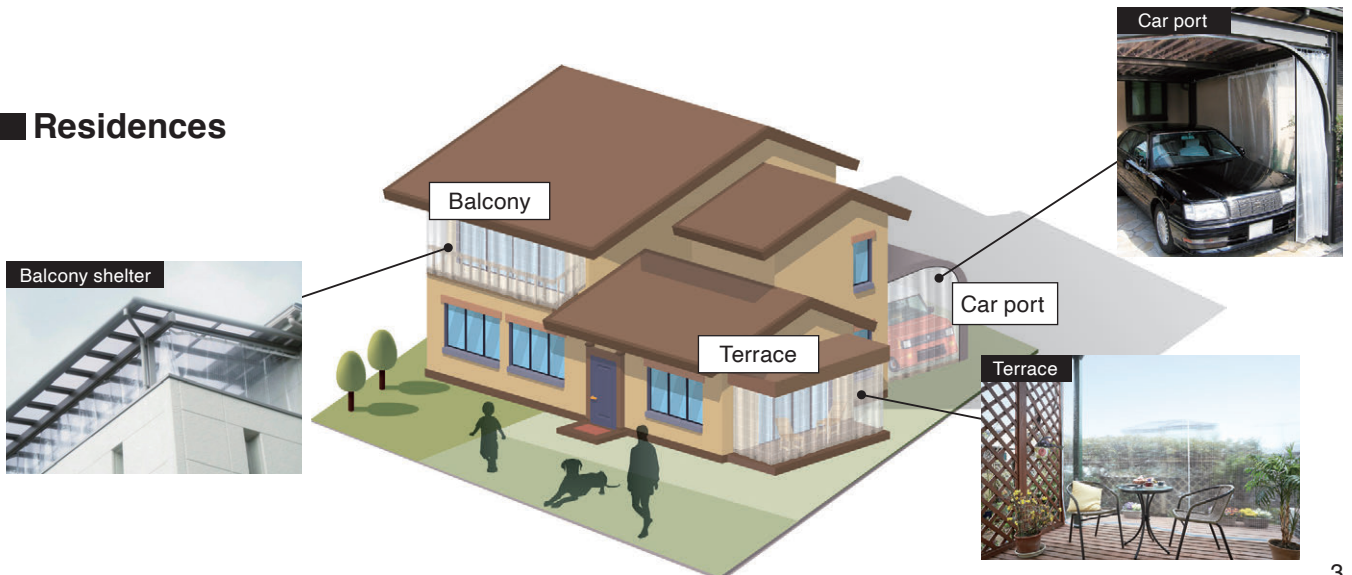
### Medical and Welfare Facilities



### Schools



### Residences



# Vinyl Curtain

## Project Reference for Vinyl Curtain

Vinyl Curtains can be used in a variety of situations.  
Vinyl Curtains with high energy-saving effect create a comfortable space.

### ■ Plants, Warehouses, and Offices



Carrying-in port



Work room partition



Carrying-in port



Entrance



Passageway partition

### ■ Stores and Commercial Facilities



Terrace seat partition (exterior)



Entrance



Terrace seat partition (interior view)



Entrance

■ Medical and Welfare Facilities



Treatment room



Reception desk



Cutting of contact

■ Schools



Entrance



Balcony



Bicycle parking



Garbage yard

■ Residences



Terrace



Terrace



Balcony










Car port

## Features of Vinyl Curtains

The vinyl curtain has a variety of functions. Effective according to the purpose, such as weather-resistant type that can be used outdoors, insect-proof type that keeps insects away, anti-static type that prevents static electricity, cold-resistant type that does not harden even in cold weather, and antibacterial type.

### Features by Function

Flame Proofing		Recommended Location
	Performance that is essential when used as a Vinyl Curtain or partition sheet for business use, such as in factories and warehouses. Vinyl curtains with flame-proof features are self-digestible and do not spread. TOSO Vinyl Curtains are all flame-proof products.	General building in which an unspecified number of people enter and exit
Mothproofing		Recommended Location
	Reduces insect attraction by cutting the wavelength of light (UV wavelength range) felt by insects.	Food factories, warehouses, restaurants, markets, horticultures, public facilities, smoking places and rest rooms
Resistance to Cold		Recommended Location
	Normal vinyl is susceptible to temperature and becomes hard in low-temperature environments. Hardening not only makes opening and closing operations difficult, but also causes cracks. TOSO Vinyl Curtains with cold-resistant performance suppress curing at low temperatures and can be easily opened and closed even in cold regions.	Cold district, cold storage warehouse
Antistatic		Recommended Location
	Electrostatic charges generated when the vinyl curtain is opened or closed are released to moisture in the atmosphere to reduce the adhesion of dust, etc. to the curtain surface.	Precision equipment and parts factories, computer server room, food plant, hospital
Weather Resistance		Recommended Location
	Weather stabilizers are blended to prevent deterioration and deterioration caused by ultraviolet rays, wind and rain, and temperature changes.	Outdoors (factory, warehouse, restaurant, store, public facility, school facility, smoking and restrooms)
Antibacterial		Recommended Location
	Suppresses the growth of bacteria adhering to the curtain surface. Suitable for locations where sanitary environments are required.	Food factories, restaurants, hospitals
Antivirus		Recommended Location
	Reduces the number of certain viruses. Suitable for places where hygienic environment is required.	Hospitals, food factories, restaurants

### Product Correspondence Table

Product No.	Hue	Thickness	Estimated Durability	Flame proofing	Moth-proofing	Resistance to Cold	Antistatic	Weather Resistance	Anti-bacterial	Anti-virus
TC-1030	Transparent type with thread	0.30 mm (0.01")	☆☆	○	—	—	—	—	—	—
TC-1047	Transparent type with thread	0.47 mm (0.02")	☆☆☆	○	—	—	—	○	—	—
TC-1055	Transparent type with thread	0.55 mm (0.02")	☆☆☆	○	—	○	—	—	—	—
TC-1130	Transparent type with thread, yellow	0.30 mm (0.01")	☆☆	○	○	○	—	—	—	—
TC-1230	Transparent type with thread	0.30 mm (0.01")	☆☆	○	—	○	○	—	○	—
TC-2050	Transparent type	0.50 mm (0.02")	☆☆	○	—	—	○	—	—	—
TC-2130	Transparent type	0.30 mm (0.01")	☆	○	—	—	○	—	—	—
TC-2230	Transparent type, orange	0.30 mm (0.01")	☆	○	○	—	—	—	—	—
TC-2330	Transparent type	0.30 mm (0.01")	☆	○	—	—	○	—	○	—
TC-2430	Transparent matte type	0.30 mm (0.01")	☆	○	—	—	○	—	—	—
TC-2530	Transparent type	0.30 mm (0.01")	☆	○	—	—	—	—	○	○
TC-2630	Transparent type	0.30 mm (0.01")	☆	○	—	—	—	—	—	—

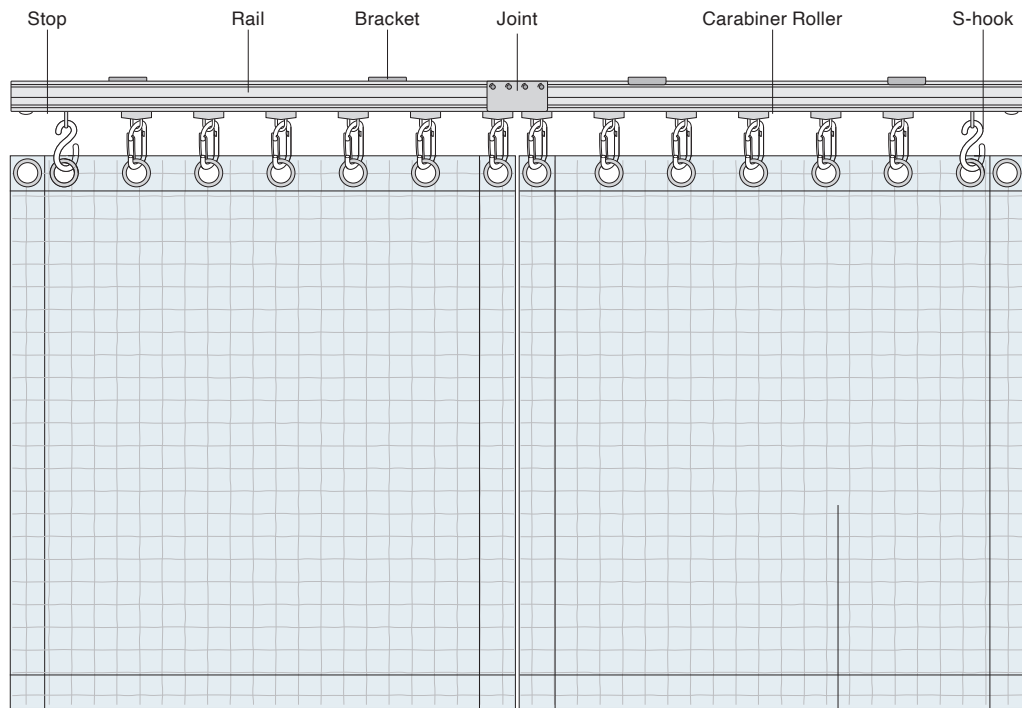
\*All vinyl curtains are made in Japan.

\*TC-1030–TC-1055, TC-2230 and TC-2430 comply with the European Union (EU) RoHS2 Directive.

## Structure of Vinyl Curtains

Common specifications

### Overall View



Vinyl Curtain  
\*Refer to pages 8–11 for details.

### Components

#### ■ Rail



#### ■ Joints



Cover Joint



OT Joint

#### ■ Brackets



Ceiling Single Bracket M2



Ceiling Single Bracket M2



Single Bracket



Bracket Plate S with Clip

#### ■ Stop



#### ■ Rollers



Carabiner Roller



Heaton Roller



Swing Roller



Roller

#### ■ S-hook (steel)




\*One S-hook (steel) for Stop is included in vinyl curtain.

\*If you are using a Swing Roller or Roller, you will need an S-hook. Specify the required number of grommets when ordering, included with the Vinyl Curtain.

\*The above configuration diagram and components are for Theatrax.

## Lineup for Transparent Type with Thread

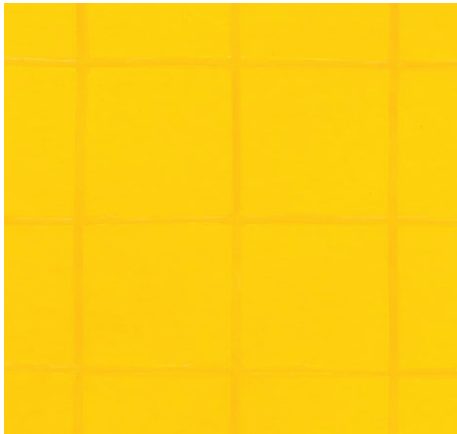




**TC-1030** Thickness: 0.3 mm (0.01") 

Allowable Size

Product Width (W)	600–7,950 mm (24–313")
Product Height (H)	500–5,000 mm (20–197")

\*For ordering, round down the nearest 10 mm (0.4") in width and height.







**TC-1130** Thickness: 0.3 mm (0.01")   

Allowable Size

Product Width (W)	600–7,950 mm (24–313")
Product Height (H)	500–5,000 mm (20–197")

\*For ordering, round down the nearest 10 mm (0.4") in width and height.



**TC-1230** Thickness: 0.3 mm (0.01")    

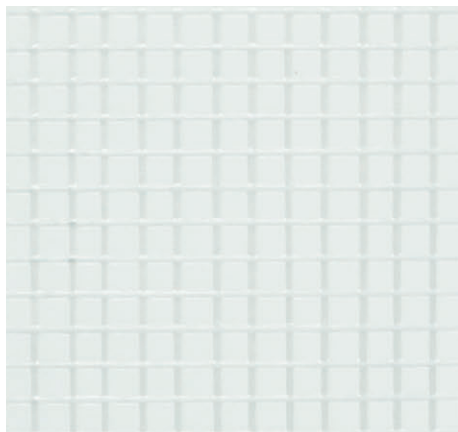
Allowable Size

Product Width (W)	600–7,950 mm (24–313")
Product Height (H)	500–5,000 mm (20–197")

\*For ordering, round down the nearest 10 mm (0.4") in width and height.

\*Antistatic products may become slightly fogged.





## TC-1047 Thickness: 0.47 mm (0.02")



### Allowable Size

Product Width (W)	600–7,950 mm (24–313")
Product Height (H)	500–5,000 mm (20–197")

\*For ordering, round down the nearest 10 mm (0.4") in width and height.



## TC-1055 Thickness: 0.55 mm (0.02")



### Allowable Size

Product Width (W)	600–7,950 mm (24–313")
Product Height (H)	500–5,000 mm (20–197")

\*For ordering, round down the nearest 10 mm (0.4") in width and height.

- The sample photo of the vinyl curtain is full-size.
- Due to the characteristics of the product, the vinyl curtain may expand or contract depending on the operating environment.
- Refer to page 13 for details on optional processing and optional parts.
- Possible to order only the vinyl sheets (without sewing processing). The price will be quoted separately.

### Physical Property Data

Product No.	Materials	Width (cm/")	Thickness (mm/")	Mass (g/m <sup>2</sup> ) (lb/yd <sup>2</sup> )	Tensile strength				Stretch rate		Tearing strength				Flame proof registration number/ Japan Flame Protection Association
					Vertical		Horizontal		Vertical	Horizontal	Vertical		Horizontal		
					kgf/3cm	N/3cm	kgf/3cm	N/3cm	%	%	kgf	N	kgf	N	
TC-1030	Base fabric: Polyester 100%	205/81	0.30/0.01	400 0.74	20	196	20	196	18	26	19	186	19	186	A1150140
TC-1047		205/81	0.47/0.01	360 0.66	61	598	50	490	19	27	41	400	45	441	A1150046
TC-1055	Resin: Vinyl chloride (PVC)	205/81	0.55/0.01	700 1.29	20	196	20	196	18	26	19	186	19	186	A1150100
TC-1130		205/81	0.30/0.01	400 0.74	20	196	20	196	18	26	19	186	19	186	A1150114
TC-1230		205/81	0.30/0.01	400 0.74	20	196	20	196	18	26	19	186	19	186	A1150115

\*The above physical properties are based on the measuring method specified by JIS and are not guaranteed values.

### Antistatic Performance—JIS K 6911

Product No.	Surface resistance value Ω	Volume resistance value Ωcm
TC-1030 (Typical)	6.4×10 <sup>13</sup>	2.3×10 <sup>14</sup>
TC-1230 (Antistatic)	5.1×10 <sup>11</sup>	4.0×10 <sup>11</sup>


\*The lower the Ω value, the better the anti-static performance.

### Cold Resistance—JIS K 6404

Product No.	Test results
TC-1030	-10°C No abnormality
TC-1055	-30°C No abnormality
TC-1130	-30°C No abnormality
TC-1230	-30°C No abnormality

## Lineup for Transparent Type



**TC-2630** Thickness: 0.3 mm (0.01") 

Allowable Size

Product Width (W)	600–7,100 mm (24–280")
Product Height (H)	500–5,000 mm (20–197")

\*For ordering, round down the nearest 10 mm (0.4") in width and height.



**TC-2130** Thickness: 0.3 mm (0.01")  

Allowable Size

Product Width (W)	600–7,100 mm (24–280")
Product Height (H)	500–5,000 mm (20–197")

\*For ordering, round down the nearest 10 mm (0.4") in width and height.

\*Antistatic products may become slightly fogged.




**TC-2230** Thickness: 0.3 mm (0.01")  

Allowable Size

Product Width (W)	600–7,100 mm (24–280")
Product Height (H)	500–5,000 mm (20–197")

\*For ordering, round down the nearest 10 mm (0.4") in width and height.



**TC-2430** Thickness: 0.3 mm (0.01")  

Allowable Size

Product Width (W)	600–5,330 mm (24–210")
Product Height (H)	500–5,000 mm (20–197")

\*For ordering, round down the nearest 10 mm (0.4") in width and height.

\*Antistatic products may become slightly fogged.



## TC-2330 Thickness: 0.3 mm (0.01")



### Allowable Size

Product Width (W)	600–7,100 mm (24–280")
Product Height (H)	500–5,000 mm (20–197")

\*For ordering, round down the nearest 10 mm (0.4") in width and height.  
\*Antistatic products may become slightly fogged.



## TC-2530 Thickness: 0.3 mm (0.01")



### Allowable Size

Product Width (W)	600–7,100 mm (24–280")
Product Height (H)	500–5,000 mm (20–197")

\*For ordering, round down the nearest 10 mm (0.4") in width and height.  
\*The sheet may turn yellow due to ultraviolet rays. Recommended for indoor use.

TC-2530 is an antiviral performance SIAA safety standard compliant product.  
Reduces the number of specific viruses on the product.



The SIAA mark is displayed on products whose quality is controlled and information is disclosed according to the guidelines of the Society of International sustaining growth for Antimicrobial Articles, based on the results evaluated by the ISO 21702 and ISO 22196.



## TC-2050 Thickness: 0.5 mm (0.02")



### Allowable Size

Product Width (W)	600–7,100 mm (24–280")
Product Height (H)	500–5,000 mm (20–197")

\*For ordering, round down the nearest 10 mm (0.4") in width and height.  
\*Antistatic products may become slightly fogged.

- The sample photo of the vinyl curtain is full-size.
- Due to the characteristics of the product, the vinyl curtain may expand or contract depending on the operating environment.
- Refer to page 13 for details on optional machining and optional parts.
- Possible to order only the vinyl sheets (without sewing processing). The price will be quoted separately.

## Specification for TC-2530

### Antivirus

Reduce the number of specific viruses

### Antibacterial

Suppresses the growth of Staphylococcus aureus and E. coli

TC-2530 is an antiviral performance SIAA safety standard compliant product.

Reduces the number of specific viruses on the product.



**TC-2530**

Thickness: 0.3 mm (0.01")



Organic synthetic antivirus treatment agent/kneading substance  
JP0612873X0001J



Organic synthetic antibacterial agent/kneading substance  
JP0122873X0001F

The SIAA mark is displayed on products whose quality is controlled and information is disclosed according to the guidelines of the Society of International sustaining growth for Antimicrobial Articles, based on the results evaluated by the ISO 21702 and ISO 22196.

- This product is not a drug.
- Uses antiviral materials that have cleared SIAA safety standards.
- Complies with SIAA safety standards.
- Antiviral treatment is not intended to treat or prevent illness.

- This product is not a drug.
- Does not suppress the growth of all bacteria.
- Uses antibacterial materials that have cleared SIAA safety standards.



## Vinyl Curtain – Transparent Type

### ■ Physical Property Data

Product No.	Materials	Width (cm/″)	Thickness (mm/″)	Mass (g/m <sup>2</sup> ) (lb/yd <sup>2</sup> )	Tensile strength				Stretch rate		Tearing strength				Flame proof registration number/ Japan Flame Protection Association
					Vertical		Horizontal		Vertical	Horizontal	Vertical		Horizontal		
					kgf/cm	N/cm <sup>2</sup>	kgf/cm	N/cm <sup>2</sup>	%	%	kgf	N	kgf	N	
TC-2050	Vinyl chloride (PVC)	183/72	0.50/0.05	670 1.77	–	3330	–	3015	300	310	–	925	–	915	AT930113
TC-2130		183/72	0.30/0.01	395 1.04	–	3370	–	2960	295	310	–	940	–	915	AT890085
TC-2230		183/72	0.30/0.01	380 1.00	80.5	–	71.4	–	284	318	20.8	–	19.2	–	AT860034
TC-2330		183/72	0.30/0.01	400 1.05	84.0	–	74.0	–	269	273	25.0	–	24.0	–	A2200267
TC-2430		137/54	0.30/0.01	400 1.05	82.6	–	72.8	–	314	314	22.5	–	21.2	–	AT870003
TC-2530		183/72	0.30/0.01	394 1.03	97.4	–	84.8	–	310	310	26.9	–	27.0	–	A1210054
TC-2630		183/72	0.30/0.01	400 1.05	–	2520	–	2430	344	368	–	635	–	561	A1200188

\*The above physical properties are based on the measuring method specified by JIS and are not guaranteed values.

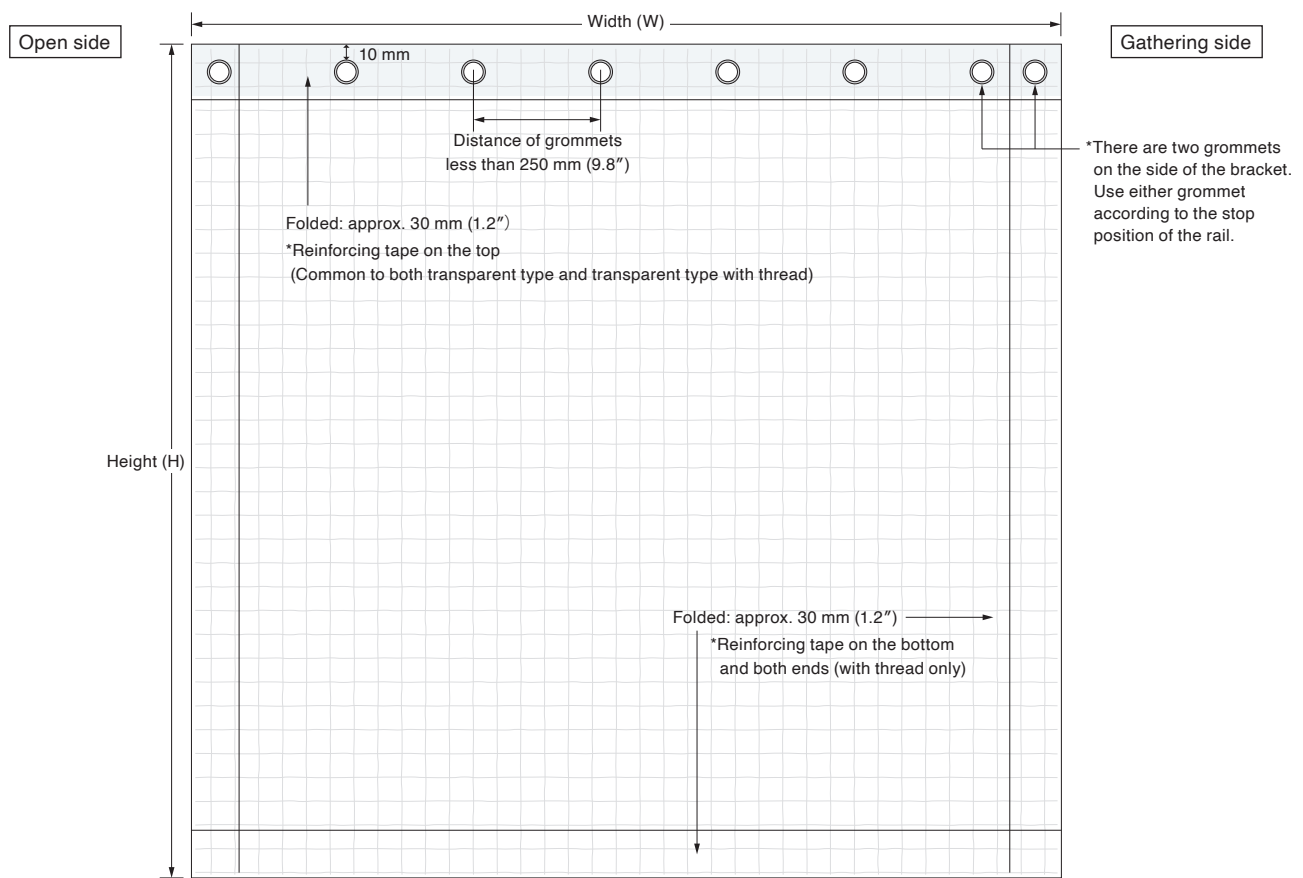
\*Data is indicated according to the test method of each sheet.

### ■ Antistatic Performance—JIS K 6911

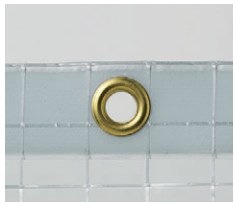
Product No.	Surface resistance value Ω	Volume resistance value Ωcm
TC-2050	10 <sup>10</sup>	10 <sup>10</sup>
TC-2130	10 <sup>10</sup>	10 <sup>10</sup>
TC-2330	1.37×10 <sup>10</sup>	–
TC-2430	1.5×10 <sup>9</sup>	1.2×10 <sup>9</sup>

\*The lower the Ω value, the better the anti-static performance.

Standard Specification Common specifications



## Details of each Part



**■ Grommet**

Brass #25: ID Ø 9 mm (.35") / OD Ø 19 mm (.75")  
Approx. 10 mm (.39") from the top surface of the vinyl curtain to the grommet hooking part.  
\*The standard distance between grommets is 250 mm (9.8").

Manufacturing dimensions 3,090 mm (122"), for one-way draw,  
3,090 mm (122") ÷ 250 mm (9.8") = 12.36  
↓  
13 grommets +1+1 (for Stop) = 15 pcs.



**■ S hook (Steel)**

Used as a part connecting roller stops and grommets.

\*If you order a Vinyl Curtain, 1 piece for one-way draw, and 2 pieces for two-way draw are included for the stop. Required separately when using a Swing Roller or Roller.  
\*If you specify when ordering, we will include the required number of grommets.



**■ Reinforcing tape**

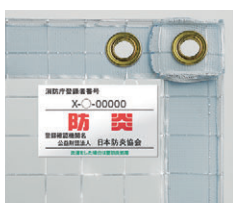
Placing reinforcing tape on the end face to which the load is applied prevents the sheet from breaking and breaking, resulting in improved strength and durability.

\*It enters the square for transparent type with thread.  
\*It will only enter the top transparent type.



**■ Reversing (approx. 30 mm / 1.2")**

Folding back the sheet edge prevents the sheet from being broken or broken due to contact or rubbing and improves durability.



**■ Flame retardant article label**

A flame proof article label is attached to the vinyl curtain with the flame proof function.  
\*It is affixed to the side of the gathering.

## Product Size

Add about 3 % width to the opening dimensions. The height is typically about 20 mm (.79") above the tail.  
Due to the characteristics of the product, the vinyl curtain may expand or contract depending on the operating environment.  
\*Refer to page 18 for the "How to Order Vinyl Curtain".

## Approximate Weight

### Transparent Type with Thread

Type of Vinyl Curtain			Theatrac +Carabiner Roller	Supertrac +Carabiner Roller
Product No.	Thickness (mm / ")	Mass (g/m <sup>2</sup> , lb/yd <sup>2</sup> )	Allowable Load	Allowable Load
TC-1030	0.30/0.01	400, 1.05	One-way draw 50 kg (110 lb) *Using Bracket Plate with Clip for 40 kg (88 lb)	One-way draw 30 kg (66 lb)
TC-1047	0.47/0.02	360, 0.95		
TC-1055	0.55/0.02	700, 1.85		
TC-1130	0.30/0.01	400, 1.05		
TC-1230	0.30/0.01	400, 1.05		

### Transparent Type

Type of Vinyl Curtain			Theatrac +Carabiner Roller	Supertrac +Carabiner Roller
Product No.	Thickness (mm / ")	Mass (g/m <sup>2</sup> , lb/yd <sup>2</sup> )	Allowable Load	Allowable Load
TC-2050	0.50/0.02	670, 1.24	One-way draw 50 kg (110 lb) *Using Bracket Plate with Clip for 40 kg (88 lb)	One-way draw 30 kg (66 lb)
TC-2130	0.30/0.01	395, 0.73		
TC-2230	0.30/0.01	380, 0.70		
TC-2330	0.30/0.01	400, 0.74		
TC-2430	0.30/0.01	400, 0.74		
TC-2530	0.30/0.01	394, 0.72		
TC-2630	0.30/0.01	400, 0.74		

## Optional Processing



### ■ Face fastener (White)

Suppress the draft of the interference fit. It is also used when you want to fix the curtain on a wall, etc.

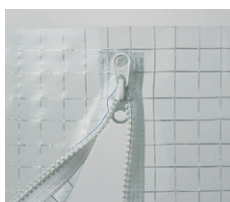
\*Hook and loop set processing.  
\*Width: 25 mm (.98")



### ■ Magnet

Suppress the draft of the interference fit. Used in place of the Magnet Roller.

\*Single-sided (1 pc.)  
Double-sided (2 pcs.)



### ■ Slit fastening

It is recommended for a place where relatively small baggage is loaded and unloaded.

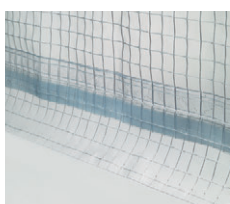
\*R machining is a separate estimate.



### ■ Open fastener

It can be opened and closed only when necessary. Used to increase the degree of sealing.

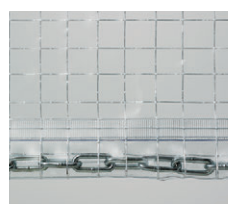
\*R machining is a separate estimate.



### ■ Bottom gap filling

It is effective for suppressing drafts between curtain and floor surface. Cutting on site is possible.

\*Specify the dimension specification.



### ■ Bottom weight chain

Reduces wind-induced fluctuation.

\*A weight is inserted in the bottom folded part.  
\*Available in steel and stainless steel.



### ■ Sheet-cutting

Machine according to the location with obstacles.

\*Specify the dimension specification.



### ■ Grommet (Stainless steel)

## Optional Parts



### ■ Tassel belt with buckle

Machine according to the location with obstacles.

\*Width: 25 mm (.98")  
Length: 2.0 m (79")  
Color: black, white



### ■ Stainless steel-S hook

# Vinyl Curtain

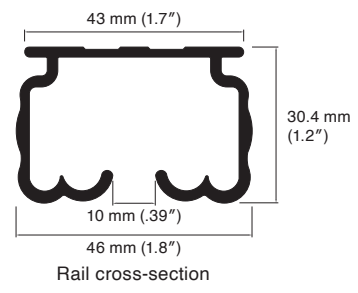
## Theatrac—Curtain Track for Vinyl Curtain (Recommended)

Recommended rail for Vinyl Curtains.  
Can be used safely in large openings such as warehouses.  
Choose from a wide variety of rollers that suits your needs.



### Theatrac Rails

#### Aluminum



Size		Product Code
		Aluminum
Rail	2.00 m (79")	30012087
	3.00 m (118")	00250018
	4.00 m (157")	00250017
Curved Rail <sup>*1</sup> (500 mmR/20"R)	1.00 m x 1.00 m (39" x 39")	00250031

<sup>\*1</sup> The Curved Rail 1.00 m x 1.00 m (39" x 39") is 500 mmR (20"R). (custom order product)  
<sup>\*2</sup> All the length limits of the separately manufactured rails are 6 m (236").  
If 4 m (157") is exceeded, check the shipping instructions when ordering.

### Rollers

**Carabiner Roller**

The Vinyl Curtain can be attached and detached with one touch.

Allowable load: 10 kg (22 lb)

**Heaton Roller**

Suitable for hanging Vinyl Curtains.

Allowable load: 8 kg (18 lb)

**Swing Roller**

Because the ring part rotates, opening and closing of the Vinyl Curtain is smooth.

Allowable load: 10 kg (22 lb)

**Roller**

This roller moves smoothly.

Allowable load: 3 kg (8.8 lb)

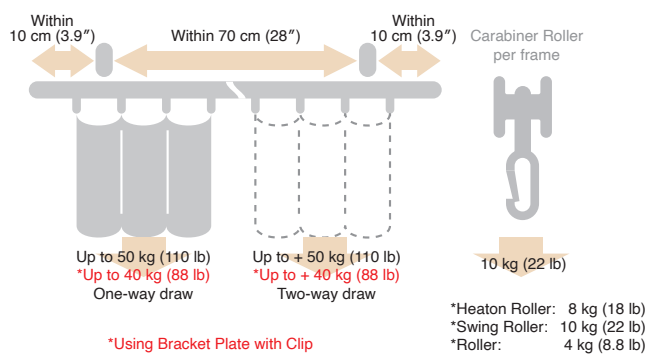
With ball bearings, the roller runs better.

All rollers use ball bearings. It can be opened and closed lightly and smoothly even with heavy vinyl curtains.

### Materials and Finishes

Parts	Material	Finish
Rail	Aluminum alloy extrusion material	Alumite
Roller	Plate	Nylon
	Wheel	Polyacetal
	Ring	Steel (Swing Roller, Heaton Roller, Carabiner Roller)
Stop	Plate	Steel
Bracket	Main unit	Aluminum
	Clamping plate	Steel
Bracket Plate with Clip	Steel	Silver

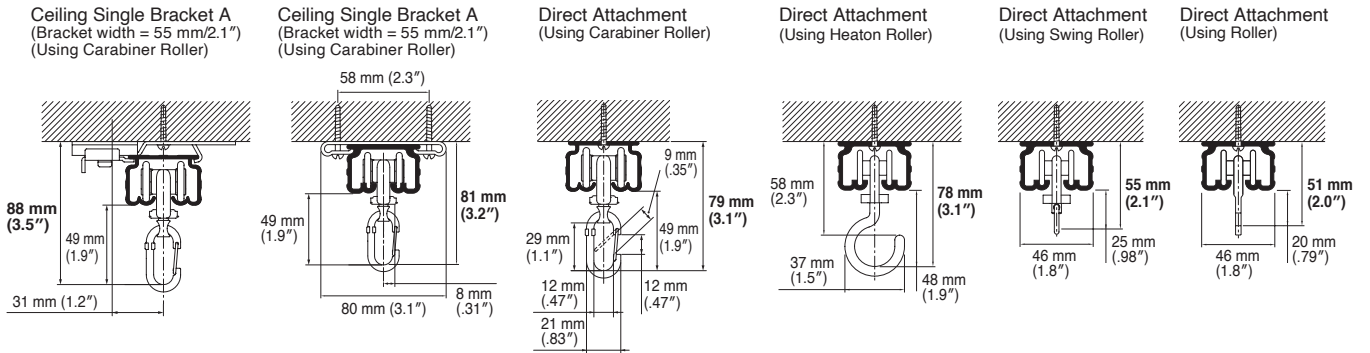
### Bracket Installation Interval and Allowable Curtain Load





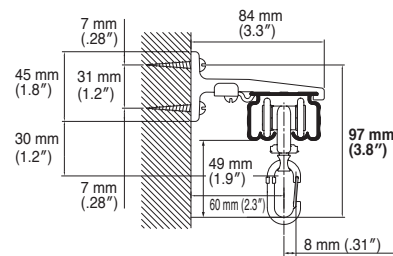
## Installation Dimensions

### Ceiling Attachment



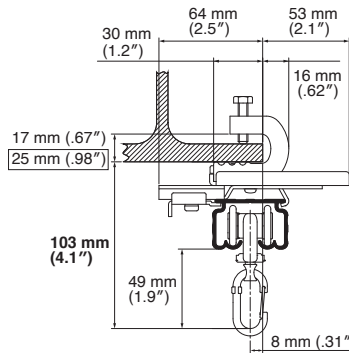
### Wall Attachment

**Single Bracket (Bracket width = 34 mm/1.3") (Using Carabiner Roller)**

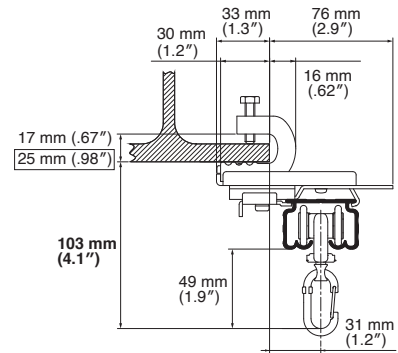


### Using Bracket Plate with Clip Using Bracket Plate M with Clip


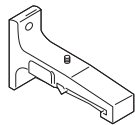


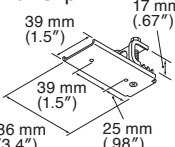
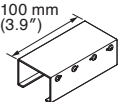

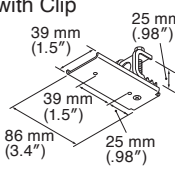
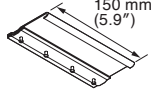

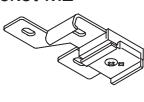
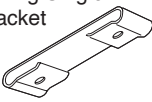
**Ceiling Single Bracket M2 (Under H steel) (Using Carabiner Roller)**



**Ceiling Single Bracket M2 (Ejected) (Using Carabiner Roller)**



## Theatrac Parts

Product Name		Product Code	Product Name		Product Code	Product Name		Product Code
Rollers	Carabiner Roller 	30013669	Single Bracket 	Common (Silver)	00250005	Stop 	—	00250006
	Allowable load: 10 kg (22 lb)							
	Heaton Roller 	00250030	Bracket Plate S with Clip 	Common (Silver)	30013670	Cover Joint 	Common (Silver)	00250029
	Allowable load: 8 kg (18 lb)							
Swing Roller 	00250028	Bracket Plate M with Clip 	Common (Silver)	30013671	OT Joint 	Common (Silver)	00250007	
Allowable load: 10 kg (22 lb)								
Roller 	00250012							
Brackets	Ceiling Single Bracket M2 	Common (Silver) 00510090						
	Ceiling Single Bracket 	Common (Silver) 00250002						

\*S-hooks are required when using Swing Rollers or Rollers.

# Vinyl Curtain

## Supertrac—Curtain Track for Vinyl Curtain (For Small Opening)

Suitable for installing Vinyl Curtains in small openings, such as rest spaces and shop partitions. Choose from a wide variety of rollers that suits your needs.

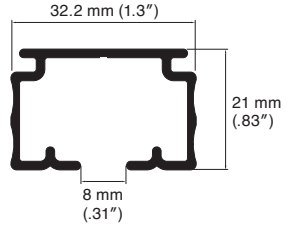


### Supertrac Rails

Aluminum



Aluminum White



Rail cross-section

	Size	Product Code	
		Aluminum	Aluminum white
Rail	2.00 m (79")	30012084	30012085
	3.00 m (118")	00240023	00240093
	4.00 m (157")	00240026	00240094
Curved Rail <sup>*1</sup> (500 mmR/20"R)	1.00 m x 1.00 m (39" x 39")	00240058	00240095

<sup>\*1</sup> The Curved Rail 1.00 m x 1.00 m (39" x 39") is 500 mmR (20"R). (custom order product)  
<sup>\*2</sup> All the length limits of the separately manufactured rails are 6 m (236").  
 If 4 m (157") is exceeded, check the shipping instructions when ordering.

### Rollers

#### ■ Carabiner Roller



The Vinyl Curtain can be attached and detached with one touch.  
 Allowable load:  
 3 kg (6.6 lb)

#### ■ Heaton Roller



Suitable for hanging Vinyl Curtains.  
 Allowable load:  
 3 kg (6.6 lb)

#### ■ Swing Roller



Because the ring part rotates, opening and closing of the Vinyl Curtain is smooth.  
 Allowable load:  
 3 kg (6.6 lb)

#### ■ Roller

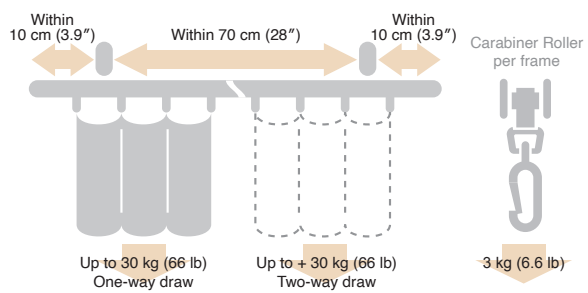


This roller moves smoothly.  
 Allowable load:  
 3 kg (6.6 lb)

### Materials and Finishes

Parts	Material	Finish
Rail	Aluminum	Aluminum alloy extrusion material
	Aluminum White	Aluminum alloy extrusion material
Roller	Plate	Polyacetal
	Wheel	Polyester elastomer
Cap	Plate	Steel
	Spring plate	Bainitic steel
Bracket	Main unit	Aluminum
	Clamping plate	Steel
Bracket Plate with Clip	Steel	Silver

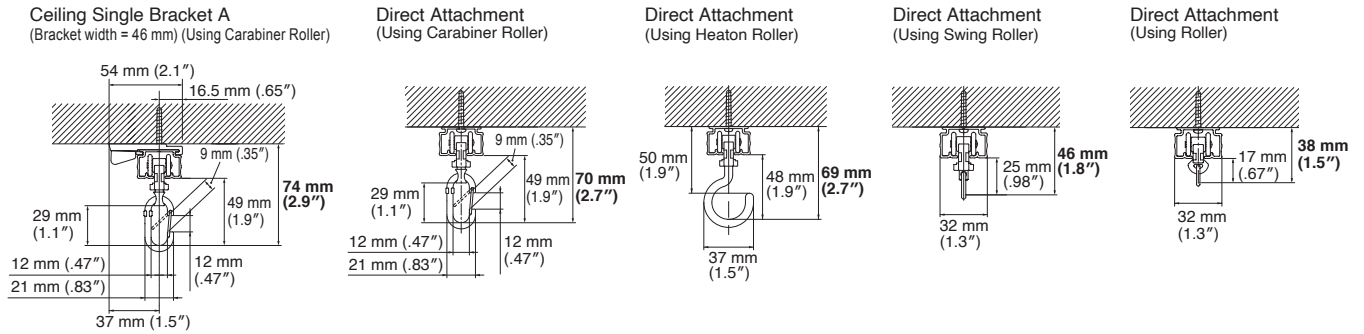
### Bracket Installation Interval and Allowable Curtain Load



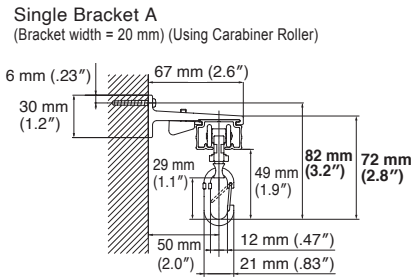
\*Heaton Roller: 3 kg (6.6 lb)  
 \*Swing Roller: 3 kg (6.6 lb)  
 \*Roller: 3 kg (6.6 lb)

## Installation Dimensions

### Ceiling Attachment

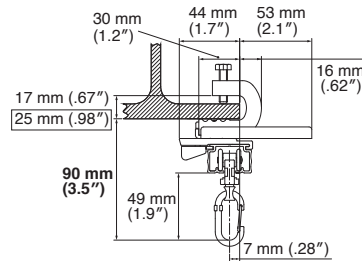


### Wall Attachment

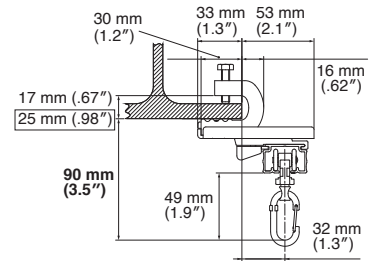


### Using Bracket Plate with Clip : Using Bracket Plate M with Clip





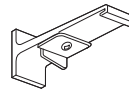
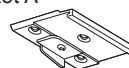
**Ceiling Single Bracket M2 (Under H steel)**  
(Using Carabiner Roller)

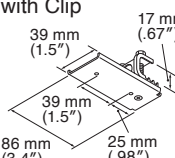
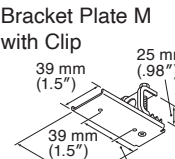
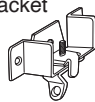




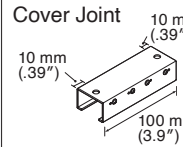
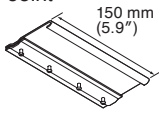
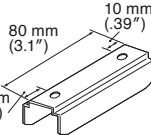
**Ceiling Single Bracket M2 (Ejected)**  
(Using Carabiner Roller)



## Supertrac Parts

	Product Name	Product Code
Rollers	<b>Carabiner Roller</b>  Allowable load: 3 kg (6.6 lb)	30013667
	<b>Heaton Roller</b>  Allowable load: 3 kg (6.6 lb)	00240056
	<b>Swing Roller</b>  Allowable load: 3 kg (6.6 lb)	00240059
	<b>Roller</b>  Allowable load: 3 kg (6.6 lb)	00240011
Brackets	<b>Single Bracket A</b>  Common (Silver)	00240018
	White	00240068
	<b>Ceiling Single Bracket A</b>  Common (Silver)	00240016
	White	00240070

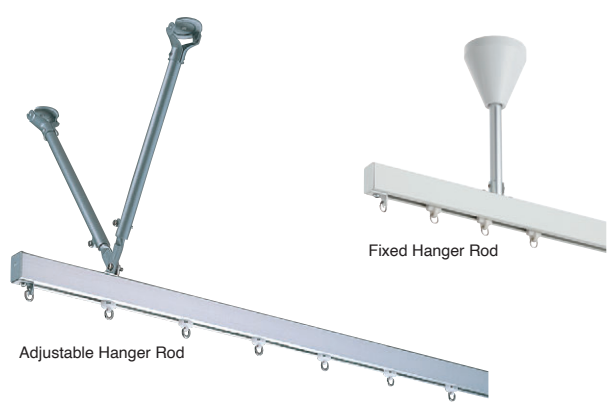
	Product Name	Product Code
Brackets	<b>Bracket Plate S with Clip</b>  17 mm (.67"), 39 mm (1.5"), 86 mm (3.4"), 25 mm (.98") *H steel thickness: 3-16 mm (.11-.63") *Use in combination with Ceiling Single Bracket.	Common (Silver) 30013670
	<b>Bracket Plate M with Clip</b>  25 mm (.98"), 39 mm (1.5"), 86 mm (3.4"), 25 mm (.98") *H steel thickness: 9-24 mm (.35-.94") *Use in combination with Ceiling Single Bracket.	Common (Silver) 30013671
	<b>Wall Bracket</b> 	Common (Silver) 00240013 White 00240072

	Product Name	Product Code
Caps	<b>Cap</b>  Common (Silver)	00240019
	*Use in combination with the Stop. White	00240073
	<b>Stop</b> 	— 00240020
Joints	<b>Cover Joint</b>  10 mm (.39"), 100 mm (3.9")	Common (Silver) 00240054 White 00240067
	<b>OT Joint</b>  150 mm (5.9")	Common (Silver) 00240003 White 00240066
	<b>Joint (for aluminum)</b>  80 mm (3.1"), 10 mm (.39"), 10 mm (.39")	— 00240004

\*S-hooks are required when using Swing Rollers or Rollers.

# Vinyl Curtain

## Partrac II—Curtain Track for Vinyl Curtain (For Indoor)



**Noiseless Roller**

\*There is a noiseless roller.

Combined with a hanger rod, the Partrac is ideal as an indoor partition for hospitals and receptions. It is a smart design form.

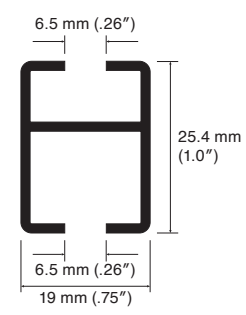
### Partrac II Rails

Silver

Aluminum White



	Size	Product Code	
		Silver	White
Rail	1.82 m (72")	00230027	00230067
	2.00 m (79")	00230026	00230068
	2.50 m (98")	00230025	00230069
	2.73 m (107")	00230024	00230070
	3.00 m (118")	00230023	00230071
	4.00 m (157")	00230022	00230072
Curved Rail (180 mmR/7.1"R)	0.50 m x 0.50 m (20" x 20")	30010594	30010596
	1.00 m x 1.00 m (39" x 39")	30010595	30010597



Rail cross-section

\* All the length limits of the separately manufactured rails are 6 m (236").  
If 4 m (157") is exceeded, check the shipping instructions when ordering.

### Materials and Finishes

Parts	Material	Finish
Rail	Aluminum alloy extrusion material	Alumite, White
Roller (C Type and New Delac are common)	Plate	Hard polyethylene
	Wheel	Acetal resin
	Oval ring	Stainless steel
End Stop	Body	Steel
	Oval ring	Stainless steel
Bracket	Body	Steel
Adjustable Hanger Rod A	Pipe	Steel
Fixed Hanger Rod	Pipe	Aluminum

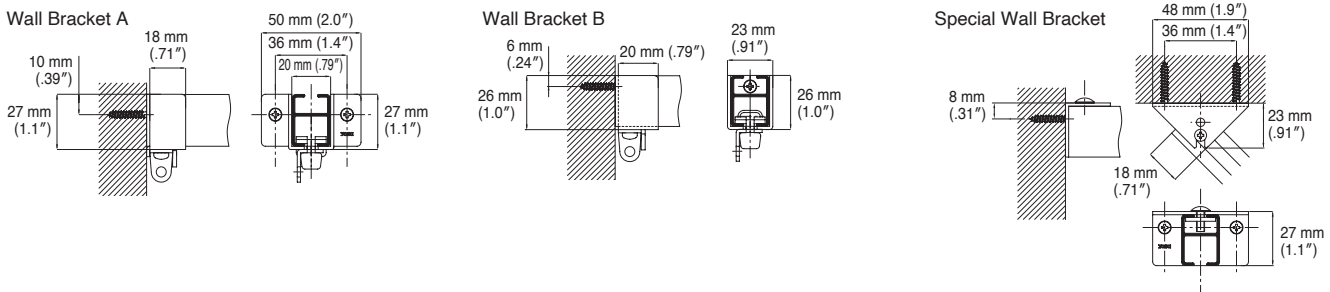
### Bracket Installation Interval and Allowable Curtain Load

**With fixed intervals of 1.5 m (59") .... 4 kg (8.8 lb)**

\* When using in hospitals and other medical institutions, make sure that the rail is not made to bear the weight of a patient holding onto the vinyl curtain. If the load goes over that allowable, the curtain rail may come off from the brackets.

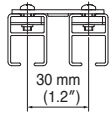


### Installation Dimensions

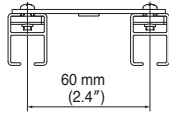


## Installation Dimensions

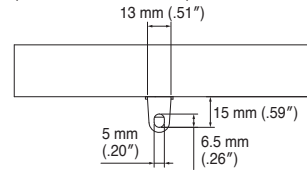
Double Connector C / 30 mm pitch



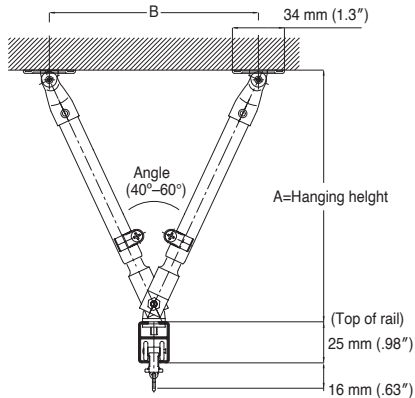
Double Connector Aid C / 60 mm pitch



Intermediate Stop for last-in  
(Width=13 mm / .51")



Adjustable Hanger Rod A

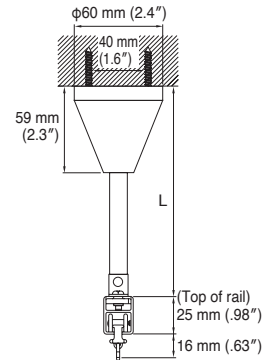


Specification for Partrac II + Overhead Hanger B

Unit: mm

Hanger Rod Size	Range		Angle: 60°		Angle: 40°	
	Minimum	Maximum	A	B	A	B
A170	130	170	129	118	137	81
	170	163	158	175	108	
A250	170	250	163	158	175	108
	250	233	238	250	163	
A400	245	400	228	388	245	159
	400	363	388	391	265	
A700	395	700	358	688	386	262
	700	622	688	673	471	
A1100	595	1100	531	1088	574	399
	1100	969	1088	1049	744	
A1600	845	1600	748	1588	809	570
	1600	1402	1588	1519	1086	

Fixed Hanger Rod



## Partrac II Parts

	Product Name	Product Code
Rollers	New Delac Roller (8 pieces per strip)	00210027
	New Delac Noiseless Roller (8 pieces per strip) <b>Noiseless Roller</b>	00210188
	New Delac MG Carrier	00210054
	New Delac Noiseless MG Carrier <b>Noiseless Roller</b>	00210189
	New Delac One-way MG Carrier	00210053
	New Delac Noiseless One-way MG Carrier <b>Noiseless Roller</b>	00210190
	Brackets	Overhead Hanger A
Overhead Hanger B (for last-in)		Silver 00230003
		White 00230075

	Product Name	Product Code
Wall Bracket	A	Silver 00230012
		White 00230076
	B	Silver 00230010
Special Wall Bracket	Silver 00230011	
	White 00230078	
Double Connector	B	00230004
		00230004
	C	Silver 30011419
T Type Curved Connector	Silver 00230002	
	White 00230079	
Curved Connector B	Silver 00230005	
	White 00230079	
End Stop	Silver 00230016	
	White 00230082	

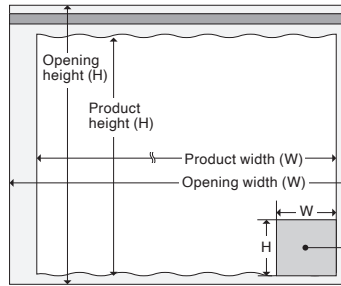
	Product Name	Product Code
End Stop	Intermediate Stop (for last-in)	30009047
	Splice	00230009
Other Parts	Adjustable Hanger Rod A	A170 (130-170 mm / 5.1"-6.7") Silver 00290034
		White 00290038
		A250 (170-250 mm / 6.7"-9.8") Silver 00290036
		White 00290039
		A400 (245-400 mm / 9.6"-16") Silver 00290017
		White 00290040
		A700 (395-700 mm / 16"-28") Silver 00290016
		White 00290041
		A1100 (595-1,100 mm / 23"-43") Silver 00290015
		White 00290042
Fixed Hanger Rod	A1600 (845-1,600 mm / 33"-63")	Silver 00290014
		White 00290043
		150 (150 mm/5.9") Silver 00230083
		White 00230084
		250 (250 mm/9.8") Silver 00230085
		White 00230086
		350 (350 mm/14") Silver 00230087
White 00230088		
500 (500 mm/20") Silver 00230089	White 00230090	

# Vinyl Curtain

## Measuring Method

Measure the width and height of the opening at the installation site.

- \*The opening dimensions are not uniform. Measure both ends and the center.
- \*If there are obstacles in the openings, also measure their size.



\*Product width (W) = Opening width (W) × 1.03 (reference)

If there is an obstacle and notch processing is required, please specify the size.

## How to Order Vinyl Curtain

**Step 1** Specify the screen number. Ex. TC-1030

\*Please check the lineup for details of functions and thickness.

**Step 2** Specify the width of the Vinyl Curtain. Ex. 3,090 mm (121")

**\*Normally, it is made about 3% larger than the opening.**

When the opening width is 3,000 mm (118"), the opening width is 3,000 mm (118") + 3% = product width is 3,090 mm (121").

\*Refer to page 12 for the standard number of grommets. If you want to change the number of grommets, specify the number and interval.

**Step 3** Specify the height of the Vinyl Curtain. Ex. 2,180 mm (86")

\*Dimensions <a> shown in the illustration on the right depend on the type of rail and bracket to be installed.

**Step 4** Specify how to open the curtain. Ex. One-way draw, drawn to right

Two-way draw / One-way draw, drawn to right / One-way draw, drawn to left

**Step 5** Specify the required number of sheets. Ex. Two-way draw, 1 set

\*Specify—Two-way draw, XXX set (1 set of 2 sheets) / One-way draw, drawn to right, XXX sheets / One-way draw, drawn to left, XXX sheets

**Step 6** Specify optional processing/optional parts. Ex. Face fastener

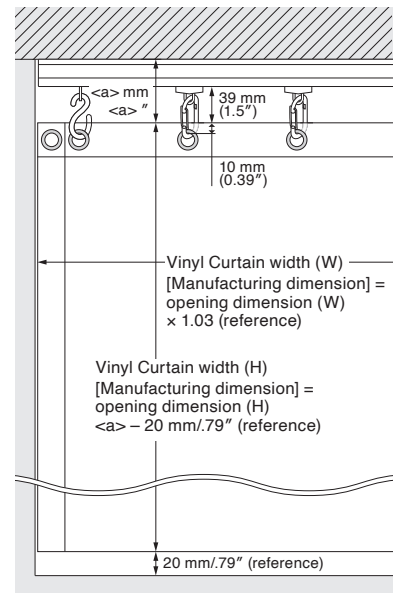
Optional processing: Face fastener, Magnet, Slit fastening, Open fastener, Bottom gap filling, Bottom weight chain, Sheet-cutting, Grommet (Stainless steel)

Optional parts: Tassel belt with buckle, Stainless steel S-hook

\*Refer to page 13 for details.

\*When requesting optional processing, specify the processing position and dimensions in the remarks column of the order sheet.

*Curtain and the dimensions of the top of the opening <a>	
Theatrac (Ceiling Single Bracket M2)	
+ carabiner roller	78 mm (3.1")
Supertrac (Ceiling Single Bracket A)	
+ carabiner roller	64 mm (2.5")



## How to Order Curtain Tracks

**Step 1** Specify the curtain tracks type. Ex. Theatrac / aluminum

**Step 2** Specify the required length and the number of pieces. Ex. 3 m (118"), 1 pc.

**Step 3** Specify the required rollers and the number of rollers to be used. Ex. Carabiner roller, 15 pcs.

**Step 4** Specify the required brackets and number of brackets to be used. Ex. Ceiling Single Bracket M2, 7 pcs.

**Step 5** Specify other parts if needed. Ex. Cover joint, 1 pc.

Delivery cost: Shipping costs will be quoted separately.

TOSO Vinyl Curtain Order Form

Your Company Name \_\_\_\_\_

Delivery Destination \_\_\_\_\_

Phone \_\_\_\_\_ Contact Person \_\_\_\_\_

Order Date \_\_\_\_\_ , \_\_\_\_\_ , \_\_\_\_\_

Requested Delivery Date \_\_\_\_\_ , \_\_\_\_\_ , \_\_\_\_\_

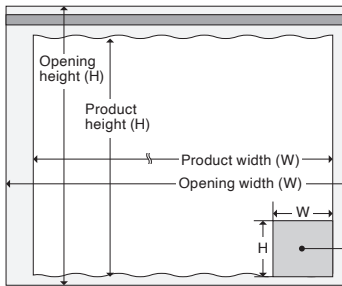
Order No. \_\_\_\_\_

Project Name \_\_\_\_\_

Fill in the order form below.

Screen No.	Manufacturing Dimensions	How to Open	Number of Sheets	Optional Processing	Optional Parts	Quantity
	Width x height (mm / ") (mm / ")	Two-way Draw	Set(s)	<ul style="list-style-type: none"> <li>• Face fastener</li> <li>• Magnet</li> <li>• Slit fastening</li> <li>• Open fastener</li> <li>• Bottom gap filling</li> <li>• Bottom weight chain</li> <li>• Sheet-cutting</li> <li>• Grommet (Stainless steel)</li> </ul>	<ul style="list-style-type: none"> <li>• Tassel belt with buckle (Black)</li> <li>• Tassel belt with buckle (White)</li> <li>• Stainless steel S-hook</li> </ul>	
		One-way Draw Drawn to Right One-way Draw, Drawn to Left	Sheet(s)			
TC-	X					
TC-	X					

\*One S-hook (steel) for Stop is included in Vinyl Curtain.  
\*Fill out the details of optional processing in the Remarks.



\*Product width (W) =  
Opening width (W) x 1.03 (reference)

If there is an obstacle and notch processing is required, please specify the size.

Remarks

---



---



---



---



---

For TOSO \_\_\_\_\_

Office in charge \_\_\_\_\_

Ordering date \_\_\_\_\_

Order No. \_\_\_\_\_

Work No. \_\_\_\_\_

## Vinyl Roller Blind



Partitioning with a Vinyl Roller Blind is effective in preventing droplet infection and does not harm the brightness. Please use it as a preventive measure in various situations for such as reception of face-to-face customers, cashier counters, and partitions between offices and restaurants.



### Feature

- Prevents droplet infection while keeping the line of sight.
- It is a Roller Blind type, so it can be rolled up and held when not in use.
- Partitions with Roller Blinds are also effective for heating and cooling.
- The screen is also flame-proof, so please install it with confidence.

	Antibacterial	Recommended Location
	Performance that is essential when used as a Vinyl Curtain or partition sheet for business use, such as in factories and warehouses. Vinyl curtains with flame-proof features are self-digestible and do not spread. TOSO Vinyl Curtains are all flame-proof products.	General building in which an unspecified number of people enter and exit
	Electrostatic charges generated when the vinyl curtain is opened or closed are released to moisture in the atmosphere to reduce the adhesion of dust, etc. to the curtain surface.	Precision equipment and parts factories, computer server room, food plant, hospital
	Suppresses the growth of bacteria adhering to the curtain surface. Suitable for locations where sanitary environments are required.	Food factories, restaurants, hospitals
	Reduces the number of certain viruses. Suitable for places where hygienic environment is required.	Hospitals, food factories, restaurants

Anti-virus type TR-V003 is recommended as a countermeasure against droplet infection.



#### Antivirus

Reduce the number of specific viruses

TR-V003 is an antiviral performance SIAA safety standard compliant product. Reduces the number of specific viruses on the product.

**SIAA**  
**ISO 21702**  
**抗ウイルス加工**  
 Organic synthetic antivirus treatment agent/kneading substance  
 JP0612873X0001J

-This product is not a drug.  
 -Uses antiviral materials that have cleared SIAA safety standards.  
 -Complies with SIAA safety standards.  
 -Antiviral treatment is not intended to treat or prevent illness.

#### Antibacterial

Suppresses the growth of Staphylococcus aureus and E. coli

**SIAA**  
**ISO 22196**  
**抗菌加工**  
 Organic synthetic antibacterial agent/kneading substance  
 JP0122873X0001F

-This product is not a drug.  
 -Does not suppress the growth of all bacteria.  
 -Uses antibacterial materials that have cleared SIAA safety standards.

The SIAA mark is displayed on products whose quality is controlled and information is disclosed according to the guidelines of the Society of International sustaining growth for Antimicrobial Articles, based on the results evaluated by the ISO 21702 and ISO 22196.



## Lineup



### TR-V001

Thickness: 0.3 mm (0.01")  
 Transparent type  
 Material: Polyvinyl chloride (PVC)



#### Allowable Size

Product Width (W)	510–1,200 mm (20–47")
Product Height (H)	100–2,000 mm (3.9–79")

\*For ordering, round down the nearest 5 mm (.20") in width and 10 mm (.39") in height.  
 \*Ratio (W:H), Limit 1:3  
 \*Antistatic products may become slightly fogged.  
 \*Depending on the cutting of the product, the screen may have the logo mark (watermark) of the sheet manufacturer. It is not possible to specify the presence or absence of a watermark and the position.



### TR-V002

Thickness: 0.3 mm (0.01")  
 Semi-transparent type  
 Material: Polyvinyl chloride (PVC)



#### Allowable Size

Product Width (W)	510–900 mm (20–35")
Product Height (H)	100–2,000 mm (3.9–79")

\*For ordering, round down the nearest 5 mm (.20") in width and 10 mm (.39") in height.  
 \*Ratio (W:H), Limit 1:3  
 \*Antistatic products may become slightly fogged.



### TR-V003

Thickness: 0.3 mm (0.01")  
 Transparent type  
 Material: Polyvinyl chloride (PVC)



#### Allowable Size

Product Width (W)	510–1,200 mm (20–47")
Product Height (H)	100–2,000 mm (3.9–79")

\*For ordering, round down the nearest 5 mm (.20") in width and 10 mm (.39") in height.  
 \*Ratio (W:H), Limit 1:3  
 \*Antistatic products may become slightly fogged.

\*The "TOSO" logo is laid under the vinyl sheet to check the transparency. The real screen is transparent.

# Vinyl Curtain

## Specifications

### Compatible Models

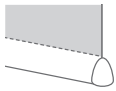
Vinyl Roller Blind

### Part Color

White (standard)

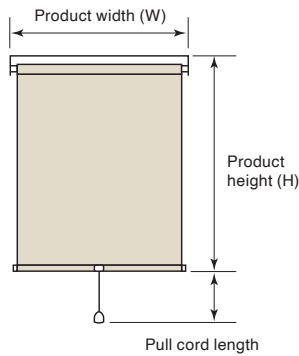
### Weight Bar Type

Nude type



\*Changing the wrapping type is not available.

### Allowable Size



Product width (W)	510–1,200 mm (20–47")
Product height (H)	100–2,000 mm (3.9–79")
Ratio (W : H)	1 : 3 (limit)

\*Allowable Size varies depending on the screen.  
\*For ordering, round down the nearest 5 mm (.20") in width and 10 mm (.39") in height.

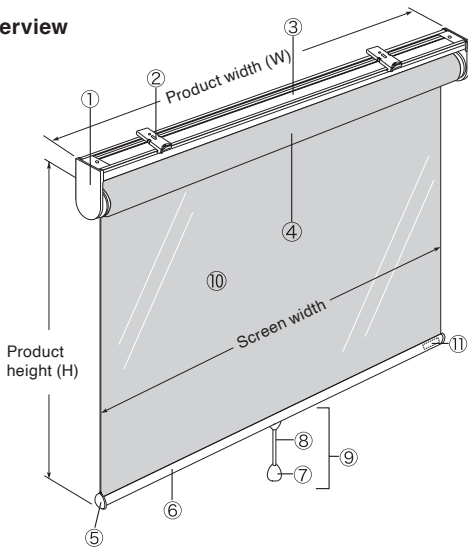
### Pull Cord Length (including Pull Ball)

Product height (H)	100–2,000 mm (3.9–79")
Pull Cord length	800 mm (31.5")

\*When installing in a high place, specify the length of the Pull Cord separately in units of 10 mm.

## Structure

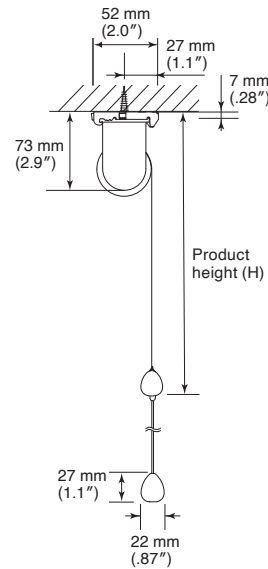
### Overview



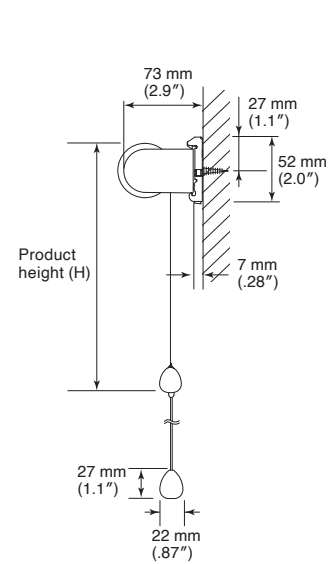
Parts Name	Materials
① Side Holder Set	Steel plate press molded product, Molded resin
② Bracket	Steel plate press molded product, Molded resin
③ Set Bar	Aluminum alloy extrusion material
④ Roller Pipe	Aluminum alloy extrusion material
⑤ Weight Bar Cap	Molded resin
⑥ Weight Bar	Aluminum alloy extrusion material
⑦ Pull Ball	Molded resin
⑧ Pul Cord	Chemical fiber
⑨ Pull Ball Set	Polyvinyl chloride
⑩ Screen	Screen
⑪ Maintenance Sticker	—

### Side View

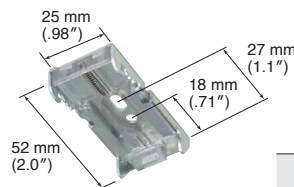
#### Ceiling Attachment



#### Wall Attachment

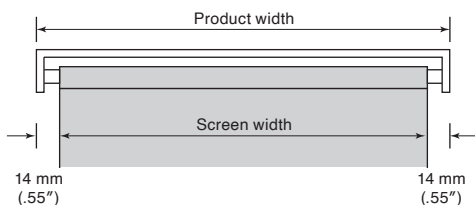


### Bracket



Product width (W)	Number of bracket
510–1,200 mm (20–47")	2

### Product Width and Screen Width



### Product Weight

Product width 1,000 mm (39") × Product height 1,000 mm (39")  
**2.0 kg (4.4 lb)**

## Options

### ■ Part Color No additional charge

Choose the product from 2 colors.



White (standard)

Brown

\*Weight Bar is the nude type.  
\*The wrapping type is not available.



\*If not specified, it is white.

### ■ Operating Parts

#### ● Pull Grip Set



Metal



Brass White



Brass Brown

\*If necessary, specify when ordering. No charge required.  
\*When the screen is rolled up, crimp marks may be left on it.

#### ● Operating Baton Set

For pull grip set. Use it when it is out of reach when rolled up in a high window.



Length: 1,130 mm (45")

## ⚠ Note

- \*The screen surface may have scratch-like traces, drop-like traces, liquid traces, and dullness during the production process. Also, if wrinkles occur, wrinkle traces may remain, due to its characteristics.
- \*The screen is curled or undulated due to its characteristics.
- \*You may notice a specific odor from the material on the screen for a certain period of time after installation.
- \*When it is wound up, it may leave traces on the weight bar and parts, due to its characteristics.
- \*The screen may become cloudy due to temperature differences and humidity changes, due to its characteristics.

- \*For TR-V001, depending on the product width, the screen may have the sheet manufacturer's logo (watermark). You cannot specify whether or not to use the logo and the position.
- \*TR-V001 and TR-V002 do not have antibacterial and antiviral functions.
- \*The screen changes with heat and humidity. Do not store or use in places with high temperature, low temperature, or high humidity.
- \*Avoid installing the product near air conditioners, heat or cold air sources, or in direct sunlight, as the screen will expand and contract due to changes in temperature, which will affect product operation.

## Vinyl Tapestry

### Lineup



#### TR-V001

Thickness: 0.3 mm (0.01")  
 Transparent type  
 Material: Polyvinyl chloride (PVC)



##### Allowable Size

Product Width (W)	300–1,200 mm (12–47")
Product Height (H)	100–2,000 mm (3.9–79")

\*For ordering, round down the nearest 10 mm (.39") in width and height.  
 \*Antistatic products may become slightly fogged.  
 \*Depending on the cutting of the product, the screen may have the logo mark (watermark) of the sheet manufacturer. It is not possible to specify the presence or absence of a watermark and the position.



#### TR-V002

Thickness: 0.3 mm (0.01")  
 Semi-transparent type  
 Material: Polyvinyl chloride (PVC)



Enlarged photo



##### Allowable Size

Product Width (W)	300–900 mm (12–35")
Product Height (H)	100–2,000 mm (3.9–79")

\*For ordering, round down the nearest 10 mm (.39") in width and height.  
 \*Antistatic products may become slightly fogged.



#### TR-V003

Thickness: 0.3 mm (0.01")  
 Transparent type  
 Material: Polyvinyl chloride (PVC)



##### Allowable Size

Product Width (W)	300–1,200 mm (12–47")
Product Height (H)	100–2,000 mm (3.9–79")

\*For ordering, round down the nearest 10 mm (.39") in width and height.  
 \*Antistatic products may become slightly fogged.

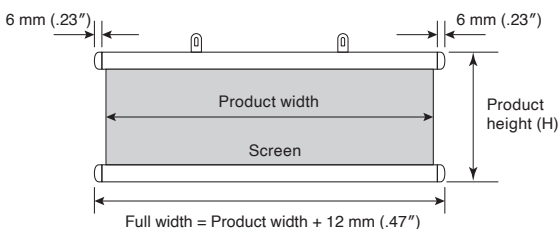
TR-V003 is an antiviral performance SIAA safety standard compliant product. Reduces the number of specific viruses on the product.



The SIAA mark is displayed on products whose quality is controlled and information is disclosed according to the guidelines of the Society of International sustaining growth for Antimicrobial Articles, based on the results evaluated by the ISO 21702 and ISO 22196.

### Specification

#### ■ Overview



#### ■ Part Color

Aluminum



Aluminum alloy extrusion material / Alumite finished

## How to Order / Vinyl Roller Blind and Vinyl Tapestry

**Step 1** Specify the product. ex. Vinyl Roller Blind

**Step 2** Specify the screen number. ex. TR-V001

**Step 3** Specify the dimensions (width and height) of the product, round down the nearest 5 mm width and 10 mm in height. ex. width: 800 mm (31"), height: 1,000 mm (39")

\*For the Vinyl Tapestry, round down the nearest 10 mm (.39") in width and height.

**Step 4** Specify the installation method (ceiling or wall attachment). (Vinyl Roller Blind only) ex. ceiling attachment

**Step 5** Specify the part color. (Vinyl Roller Blind only) ex. brown

\*If not specified, it will be white.

\*For clear tapestry, the only part color is aluminum.

**Step 6** Specify the quantity. ex. 1 roller blind

**Step 7** Specify optional parts if necessary. (Vinyl Roller Blind only) ex. pull grip set

\*See page 27 for details on options.

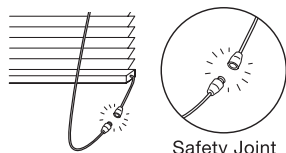
## For Safe Use of Blind

## Japan Window Blind Association

Japan Window Blind Association prepares the following safety devices to give safe use of blinds and shades at home with young children.

### ● Safety Joint

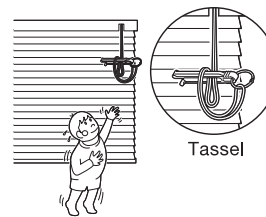
This part comes apart when the weight of a child is applied to the Cord.



Safety Joint

### ● Safety Tassel

A device for bundling the Cord or the Chain. By bundling it to keep out of children's reach, it will reduce the risk of an accident.



Tassel

### ⚠ Caution

- ⊘ A child can take an unexpected action. Do not bring your common sense into his or her behavior. Do not let him or her play with the Cord or the Chain.

### ⚠ Warning

- ⊘ If the Cord is not bundled with the clip, the Cord or the Chain may wind around or get caught on the child's body, which may lead to a hazardous accident.

### ⚠ Warning

- ⊘ The Cord or the Chain can wind around your child and he or she may entangle it. It may lead to a hazardous accident.



日本ブラインド工業会  
Japan Window Blind Association

### ⚠ Warning

- ⊘ If you have a young child, never put a sofa or bed near the Cord or Chain of a blind or shade. Your child may climb up the sofa or bed and will reach the Cord or Chain, which can cause a serious accident.



日本ブラインド工業会  
Japan Window Blind Association

### ⚠ Warning

- ⊘ If the bottom cord does not come off, the child will be caught. It may lead to a hazardous accident.

■ A Safety Joint or tassel will reduce the risk but not eliminate it 100%. Be aware of the possible risk of Cord or Chain and use it with care.

# Vinyl Curtain

## Tarpaulin Curtain / Related Products

A color tarpaulin that can be used as an outdoor sunshade or rain shield. Since it is not transparent, it is convenient when hiding equipment and products with curtains. It can also be used outdoors as a protective cover for material storage.



### Color Lineup

**Tarpaulin Curtain** Thickness: 0.35 mm (0.01"), 0.50 mm (0.02")



White



Ivory



Gray



Blue



Red



Green



Orange



Yellow



Light green



Black

**Tarpaulin Curtain—Antibacterial and Antivirus** Thickness: 0.33 mm (0.01")



White

UV cut

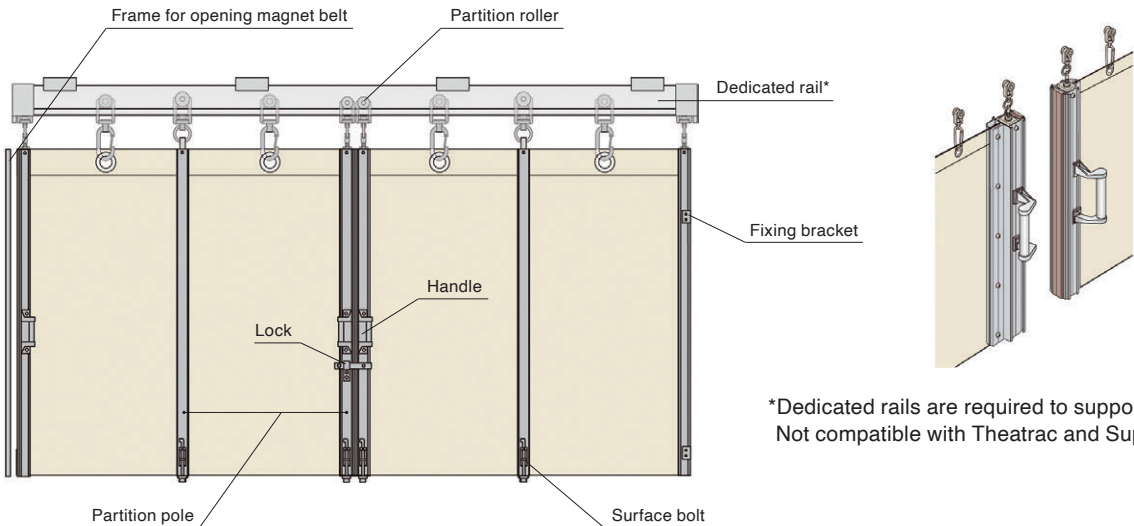


Partition Pole / Related Products

Vinyl curtains with a partition pole makes it easy to open and close, giving neat and tidy impression. Energy-saving effects can also be expected by increasing airtightness.



Structure



Color Variations



Project Reference



## Notes for Vinyl Curtain



### Note

\*The Vinyl Curtain is not designed for extremely low or high temperatures.

\*When cleaning the vinyl curtain, use a mild detergent and wipe it off with a soft cloth or sponge.

\*Vinyl Curtains may become cloudy when exposed to water for a long period of time, but they will return to their original state when dried.

\*If you are allergic or sensitive to skin, use caution when using the product.

\*Do not hang on the product. Otherwise, the product may be damaged or dropped.

\*Bundle the vinyl curtains when storing in strong winds.

\*Never use the product near a fire.

\*The color of the product photos is printed and may differ slightly from the actual product.

\*Specifications may be changed or abolished without prior notice due to various circumstances.

\*We are not responsible for any malfunction or damage caused by improper use, improper repair or modification, or use of non-genuine parts.