

# Partrac II



- Ideal for use as hospital cubicle rails.
- A wide variety of components offers an optimal solution to installation challenges.
- Wheel-type rollers assure smooth operation.

# Partrac II

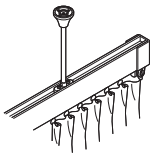
## Partrac II's Unique Features and Applications

### Application versatility with the Fixed Hanger Rod and Adjustable Hanger Rod A.

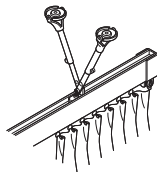
Two types of hangers are available. The Fixed Hanger Rod provides a neat appearance while the Adjustable Hanger Rod A offers extra convenience when hanging directly above the rail is not possible.

- \*The Fixed Hanger Rod includes a base, cover and hanger rod.
- \*Available in two colors: white or natural.

Fixed Hanger Rod



Adjustable Hanger Rod A

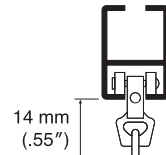
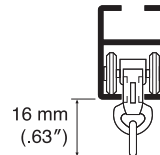


### New Delac and C Type rollers can be used.

Being able to use different types of rollers enables more efficient use of stock. New Delac IV Rollers can not be used.

For New Delac

For C Type



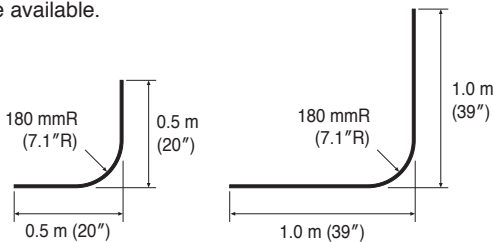
- New Delac Roller
- New Delac Noiseless Roller
- NN Roller (last-in type)

- C Roller Link
- CC Roller
- SC Roller (last-in type)

### Standard curve rails and customized rails are available.

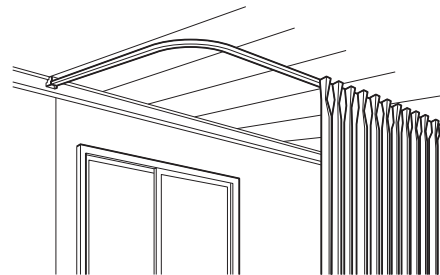
Because of short delivery time, standard curved rails are recommended when installation is urgent. Delivery of customized curved rails takes a little longer but they offer advantages in terms of strength and price.

- Standard curved rails  
0.5 m x 0.5 m (20" x 20") and 1.0 m x 1.0 m (39" x 39") rails are available.

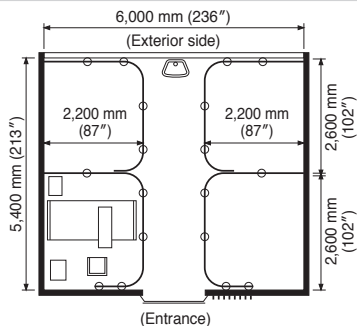


- Customized curved rails  
A single rail can be up to 5.0 m (197") long.

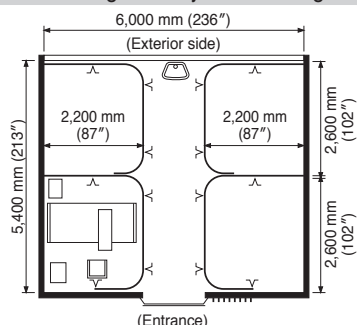
\*The bending method used differs depending on whether New Delac or C Type Rollers are used. Be sure to specify which rollers are to be used when you order.



Partition image for Fixed Hanger Rod

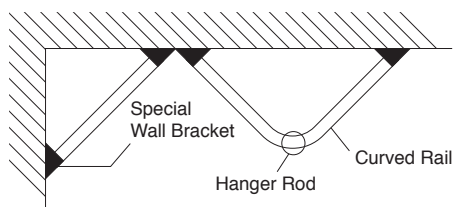


Partition image for Adjustable Hanger Rod A



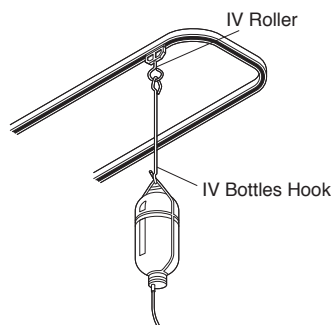
### Special Wall Brackets provide flexible angles to a Partrac II installation.

No hassle to install a straight rail in a corner end or to make a triangle corner using a curved rail and a hanger.



### Parts for IV are available.

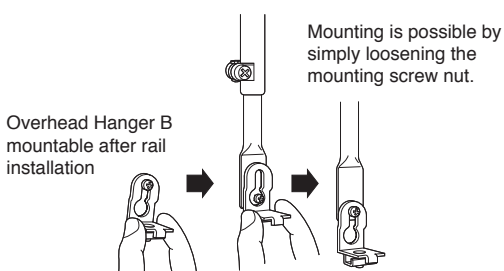
Use New Delac and Supertrac Rails.



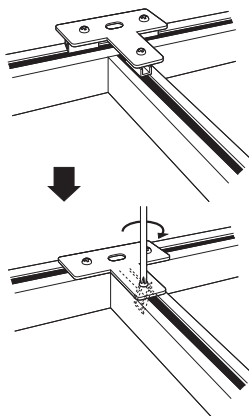
### A variety of last-in parts

The Overhead Hanger B, Curved Connector B, T Type Curved Connector and Double Connector B can be mounted after a rail has been installed. Overhead Hanger B in particular saves installation time and energy.

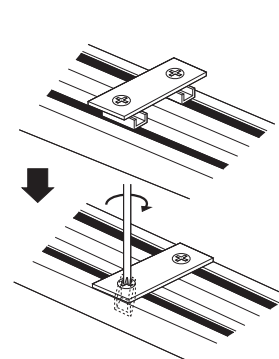
Overhead Hanger B



T Type Curved Connector

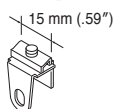


Double Connector B

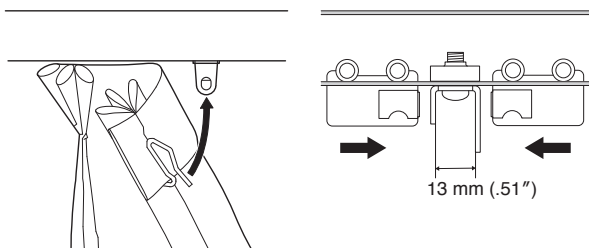


### Partitioning is flexible, by using the Last-in Intermediate Stop

Last-in Intermediate Stop is usable both fix and open/close the curtain.



Last-in Intermediate Stop

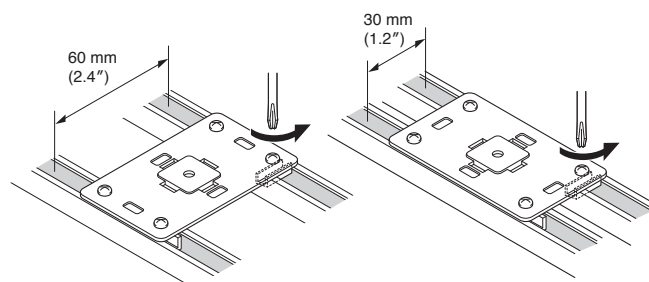


Curtain hook is fixed by turning the hole toward the front.

When the hole is turned sideways, MG Carrier can be attracted.

### Reduce the curtain interference, by using the Double Connector C

Double Connector C



Rails can be fixed at interval of 60 mm (2.4") or 30 mm (1.2"). Reduce interference between the curtains, open/close curtains smoothly.

# Partrac II

## Materials and Finishes

Parts		Material	Finish
Rail	Silver	Aluminum alloy extrusion material	Alumite
	White		White
	Black		Black
Roller (C Type and New Delac are common)	Plate	Hard polyethylene	—
	Wheel	Acetal resin	
	Oval ring	Stainless steel	

Parts		Material	Finish
End Stop	Body	Steel	Alumite
	Oval ring	Stainless steel	
Bracket	Body	Steel	—
Adjustable Hanger Rod A	Pipe	Steel	—
Fixed Hanger Rod		Aluminum	

## Bracket Installation Interval and Allowable Curtain Load

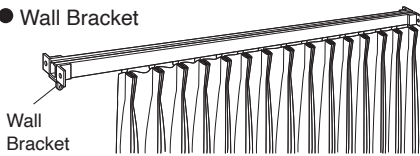
### With fixed intervals of 1.5 m (59") .... 4 kg (8.8 lb)

\* When using in hospitals and other medical institutions, make sure that the rail is not made to bear the weight of a patient holding onto the curtain. If the load goes over that allowable, the curtain rail may come off from the brackets.

## Partrac II Installation Method

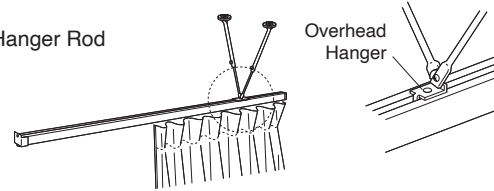
### Straight Partition

#### ● Wall Bracket



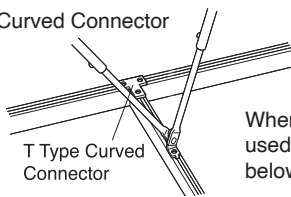
When both ends of the rail can be secured to the wall, use Wall Brackets for installation. If the rail is longer than 1.5 m (59"), use Hanger Rods at intervals of 1.5 m (59") or less.

#### ● Hanger Rod



If one end of the rail can not be secured to the wall, hang Adjustable Hanger Rods in a V type suspension to prevent swinging. If the rail is longer than 1.5 m (59"), also install Hanger Rods at intervals of 1.5 m (59") or less. (For Fixed hanger Rods 350 and 500, hang at intervals of 1.0 m/39" or less.)

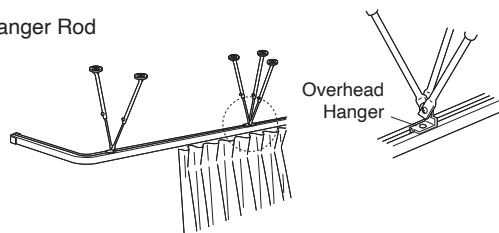
#### ● T Type Curved Connector



When a T Type Curved Connector is used, install the Hanger Rod as shown below.

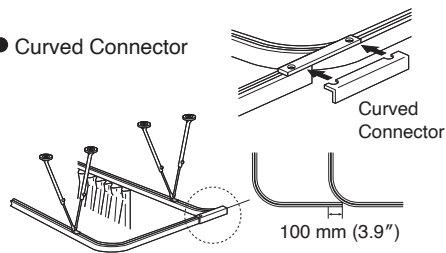
Curved Partition

● Hanger Rod



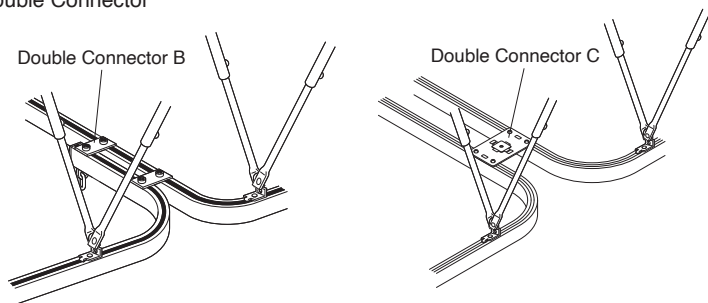
For partitions using a curved rail, be sure to use Hanger Rods in a V type suspension in corners. If the rail is longer than 1.5 m (59"), also install Hanger Rods at intervals of 1.5 m (59") or less. If one end of the rail is not secured to the wall, use Hanger Rods in a tripod type suspension to prevent back/forth, right/left swinging.

● Curved Connector



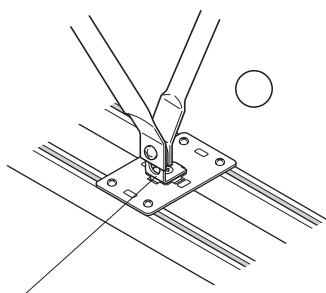
For a single-curve installation, clamp the rails at a joint using a Curved Connector B, and suspend the rails with Hanger Rods. (Place the rails to overlap by 100 mm/3.9".)

● Double Connector



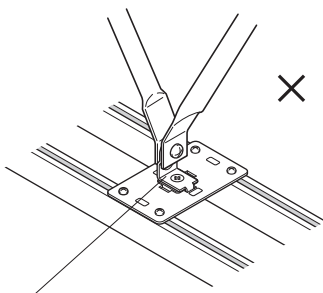
When using a double-curve installation, clamp the rails with two Double Connectors and suspend the rails with Hanger Rods as shown in the figure. Choose either Double Connector B or Double Connector C, depending on the spacing of the rails.

Correct Installing Method



Overhead Hanger is attached parallel to rails

Incorrect Installing Method

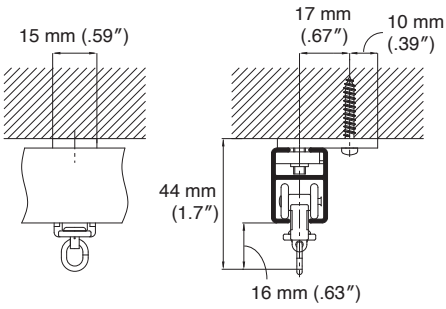


Overhead Hanger is attached vertically to rails

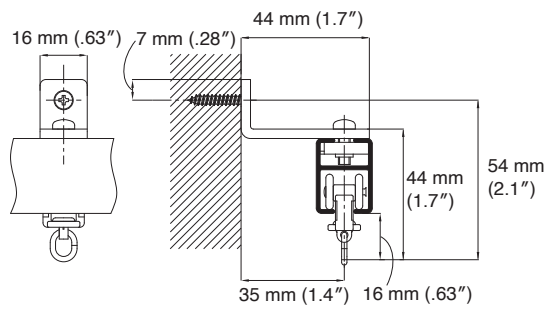
Hanger Rod can be attached by combining Overhead Hanger with the center hole of Double Connector C. Fix the Hanger Rod by Correct Installing Method on the left figure to prevent shaking for front, rear, left, and right. Hanger Rod should be installed within 1.5 m (59") interval. Either Overhead Hanger A or Overhead Hanger B (for last-in) is available.

## Installation Dimensions

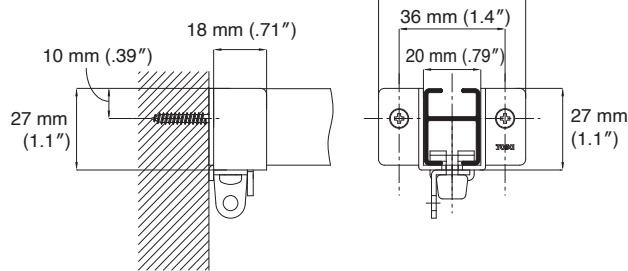
Ceiling Single Bracket



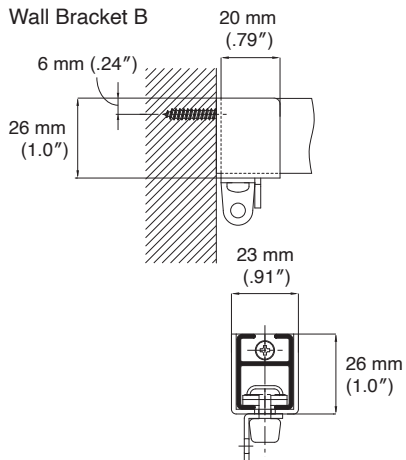
Single Bracket



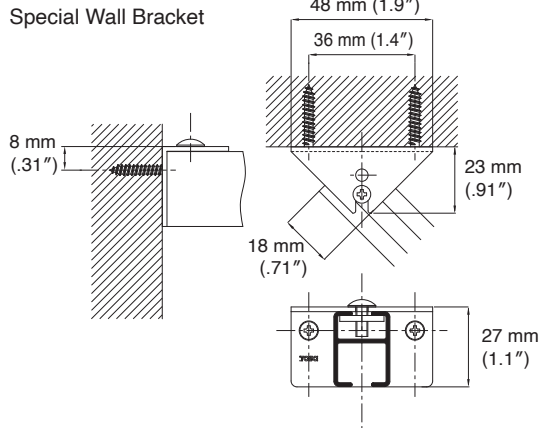
Wall Bracket A



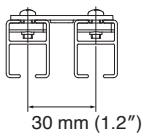
Wall Bracket B



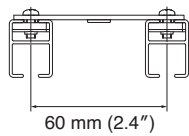
Special Wall Bracket



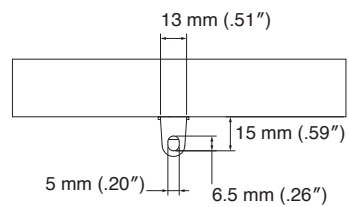
Double Connector C  
30 mm pitch



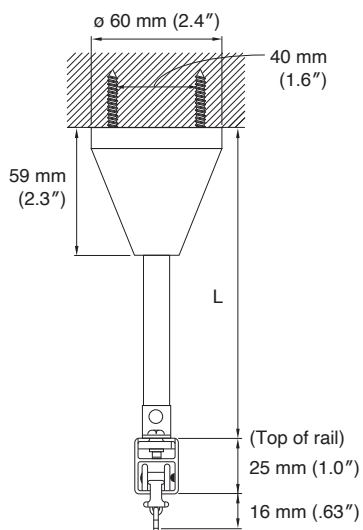
Double Connector C  
60 mm pitch



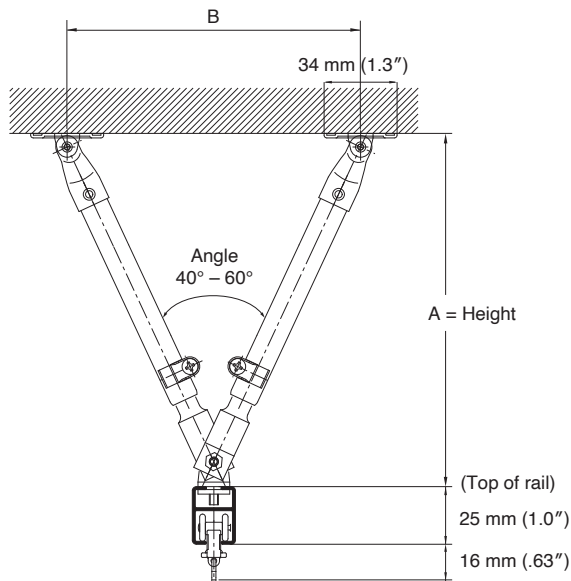
Last-in Intermediate Stop  
(Stop width = 13 mm/.51")



Fixed Hanger Rod



Adjustable Hanger Rod A

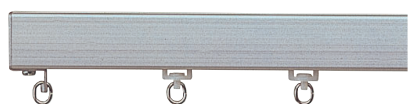


Partrac II + Overhead Hanger B

Adjustable Hanger Size	Adjustable Range	Angle 60°		Angle 40°	
		A Dimension	B Dimension	A Dimension	B Dimension
	Minimum Maximum				
A170	130 mm (5.1")	129 mm (5.1")	118 mm (4.6")	137 mm (5.4")	81 mm (3.2")
	170 mm (6.7")	163 mm (6.4")	158 mm (6.2")	175 mm (6.9")	108 mm (4.3")
A250	170 mm (6.7")	163 mm (6.4")	158 mm (6.2")	175 mm (6.9")	108 mm (4.3")
	250 mm (9.8")	233 mm (9.2")	238 mm (9.4")	250 mm (9.8")	163 mm (6.4")
A400	245 mm (9.6")	228 mm (9.0")	233 mm (9.2")	245 mm (9.6")	159 mm (6.3")
	400 mm (16")	363 mm (14")	388 mm (15")	391 mm (15")	265 mm (10")
A700	395 mm (16")	358 mm (14")	383 mm (15")	386 mm (15")	262 mm (10")
	700 mm (28")	622 mm (24")	688 mm (27")	673 mm (27")	471 mm (19")
A1100	595 mm (23")	531 mm (21")	583 mm (23")	574 mm (23")	399 mm (16")
	1,100 mm (43")	969 mm (38")	1,088 mm (43")	1,049 mm (41")	744 mm (29")
A1600	845 mm (33")	748 mm (29")	833 mm (33")	809 mm (32")	570 mm (22")
	1,600 mm (63")	1,402 mm (55")	1,588 mm (63")	1,519 mm (60")	1,086 mm (43")

## Partrac II Rails

Silver



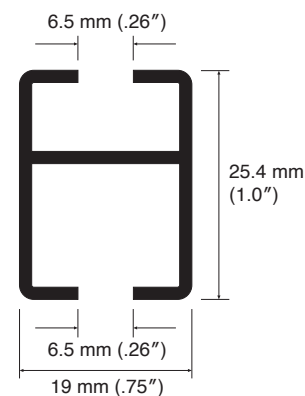
White



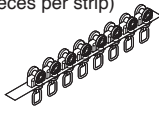
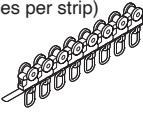
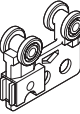
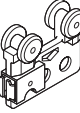

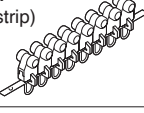
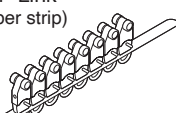
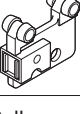
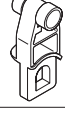
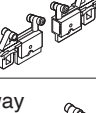
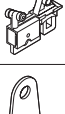

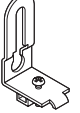
Black

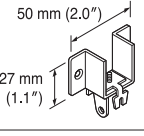
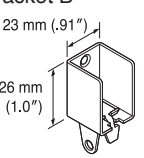
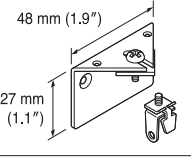
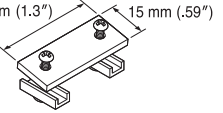
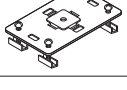
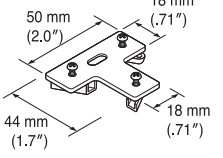
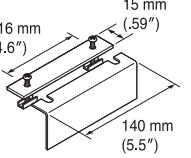
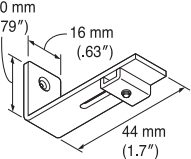
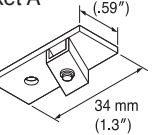



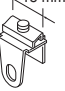
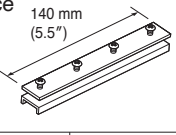

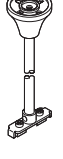
Size	Product Code			
	Silver	White	Black	
1.82 m (72")	00230027	00230067	30018798	
2.00 m (79")	00230026	00230068	30018799	
2.50 m (98")	00230025	00230069	30018800	
2.73 m (107")	00230024	00230070	30018801	
3.00 m (118")	00230023	00230071	30018802	
4.00 m (157")	00230022	00230072	30018803	
Curved Rail (180 mmR/7.1"R)	0.5 m x 0.5 m (20" x 20")	30010594	30010596	30018804
	1.0 m x 1.0 m (39" x 39")	30010595	30010597	30018805



Partrac II Parts

Product Name		Product Code
Rollers	New Delac Roller (8 pieces per strip) 	Natural 00210027
	New Delac Noiseless Roller (8 pieces per strip) 	Natural 00210188
	New Delac One-way MG Carrier 	Natural 00210053
	New Delac Noiseless One-way MG Carrier 	Natural 00210190
	New Delac NN Roller (for last-in) 	00210008
	C Roller Link (8 pieces per strip) 	00010224
	CC Roller Link (8 pieces per strip) 	00010225
	One-way MG Carrier 	Natural 00010297
	SC Last-in Roller 	00010182
	SC Last-in MG Carrier 	00010250
SC Last-in One-way MG Carrier 	00010295	
Brackets	Overhead Hanger A 	00230006
	Overhead Hanger B (for last-in) 	Silver 00230003
		White 00230075
		Black 30018793

Product Name		Product Code
Wall Bracket A 	Silver	00230012
	White	00230076
Wall Bracket B 	Silver	00230010
	White	00230077
	Black	30018794
Special Wall Bracket 	Silver	00230011
	White	00230078
Double Connector B 	00230004	
	Double Connector C 	Silver 30011419
T Type Curved Connector 	00230002	
	Curved Connector B 	Silver
White		00230079
Black		30018792
Single Bracket 	Silver	00230015
	White	00230080
	Black	30018785
Ceiling Single Bracket A 	Silver	00230014
	White	00230081
	Black	30018784

Product Name		Product Code	
End Stop 	Silver	00230016	
	White	00230082	
	Black	30018790	
Last-in Intermediate Stop 	30009047		
Splice 	Silver	00230009	
	Black	30018787	
Adjustable Hanger Rod A 	A170 (130-170 mm / 5.1-6.7")	Silver	00290034
		White	00290038
		Black	30018783
	A250 (170-250 mm / 6.7-9.8")	Silver	00290036
		White	00290039
		Black	30018782
	A400 (245-400 mm / 9.6-16")	Silver	00290017
		White	00290040
		Black	30018781
	A700 (395-700 mm / 16-28")	Silver	00290016
White		00290041	
Black		30018797	
A1100 (595-1,100 mm / 23-43")	Silver	00290015	
	White	00290042	
	Black	30018789	
A1600 (845-1,600 mm / 33-63")	Silver	00290014	
	White	00290043	
	Black	30018786	
Fixed Hanger Rod 	150 (150 mm/5.9")	Silver	00230083
		White	00230084
		Black	30018796
	250 (250 mm/9.8")	Silver	00230085
		White	00230086
		Black	30018795
	350 (350 mm/14")	Silver	00230087
		White	00230088
		Black	30018791
	500 (500 mm/20")	Silver	00230089
		White	00230090
		Black	30018788