

TOSO

Roman Shade

Creaty Drum Twin One Chain

No.S-10092201

Instruction Manual

Thank you for purchasing TOSO products. To ensure safe use of this product, please read the following thoroughly and keep this manual stored.

Guide for Distributors and Installation Contractors

This manual contains information for a user to safely operate this product. Please provide this manual to a customer.

CAUTIONS

* This manual contains cautions and instructions for safe use of the product. Please read it carefully before using to ensure appropriate use.

● This document illustrates the dangers of using this product without taking necessary precautions. Please refer to the symbols below for different types of safety points.

Warning Illustrates that if this product is misused, there are dangers of serious injuries or possible fatal accidents.

Caution Illustrates that if this product is misused, there are dangers of casualties or possible physical damage of the product.

● This document illustrates safety points to be followed using the symbols below.

⊘ Illustrates specific actions which are prohibited.

! Illustrates specific guidelines which must be followed.

Precautions upon installing the product (Please read before installation.)

Warning

- ⊘ Screws provided are for xylem only. Do not use on materials other than xylem.
- ! Check the foundation base and strength of the material before installing this product. If not installed properly to the foundation base, there are dangers of it falling.
- ! Install this product as instructed with the necessary quantity of brackets. Otherwise the product may fall.

Caution

- ⊘ This product is intended for indoor use. Please do not use it for outdoor purposes.
- ⊘ Locations subject to high temperatures and high humidity, or areas where water may leak, should be avoided.
- ! Make sure to install this product horizontally



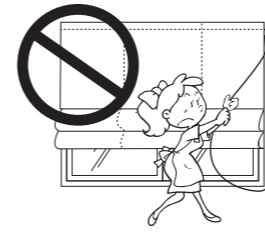
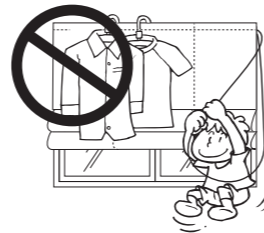
Safety During Use (Please read thoroughly)

Warning

- ⊘ Please avoid actions which may result in the cord or the chain entangling the body or becoming hooked onto something. This may cause an accident.
- ! When not in use, please put away the ball chain by wrapping it around the safety tassel.
- ⊘ Please do not hang from or pull on this product. This may damage the product or cause it to fall down.
- ⊘ Please do not operate the product with sudden or forceful motion. This may damage the product or cause it to fall down.

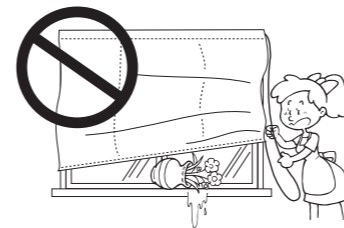


Japan Blind Industry Association



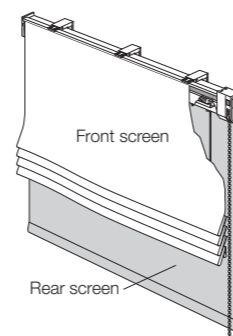
Caution

- ⊘ When there is strong wind, please either close the window or have the screen completely opened up.
- ⊘ Please do not dismantle the mechanical assembly or lubricate the moving parts of this product.
- ⊘ Physical damage or malfunction of the product will occur. Please do not use this product around open flames.
- ⊘ Please remember to always use the cord or ball chain when operating this product. Please do not attempt to move the screen directly.
- ⊘ Please do not place any fragile objects or objects that may interfere with operation near the screen.

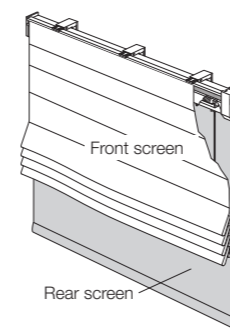


Style

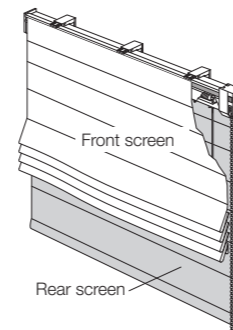
<Plain + Plain>



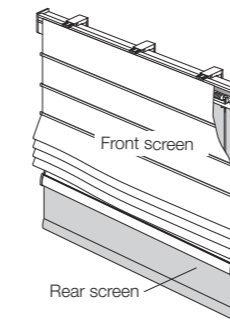
<Sharp + Plain>



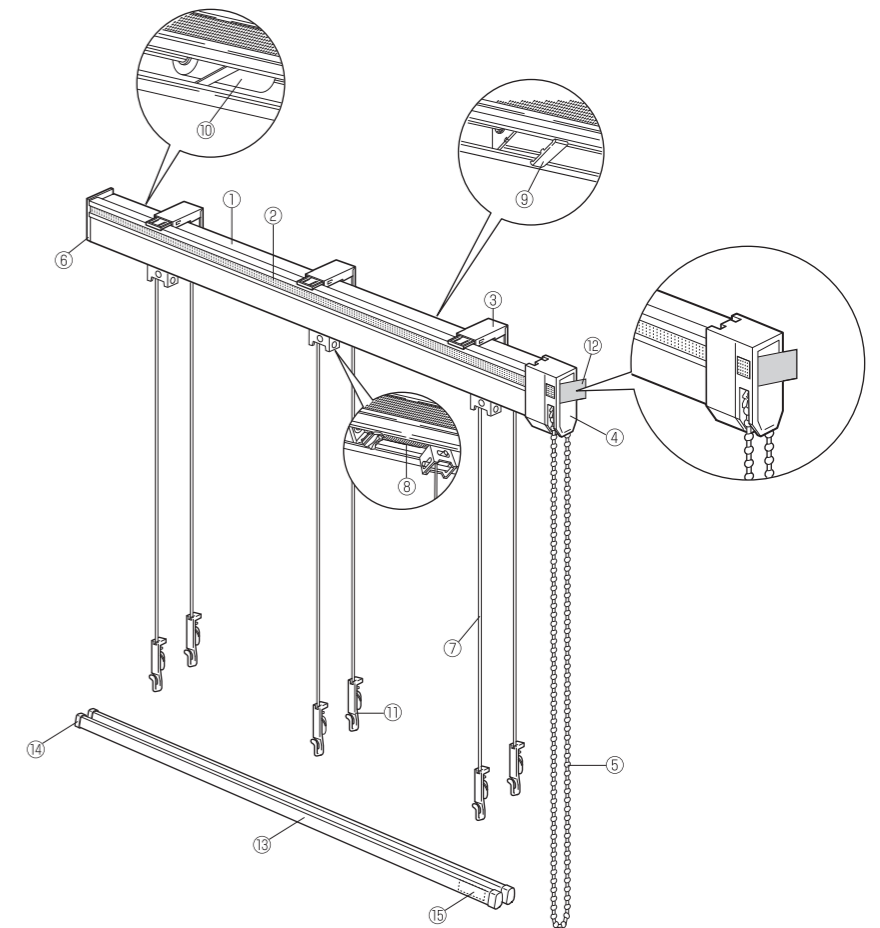
<Sharp + Sharp>



<Front bar + Plain>



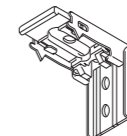

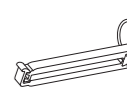
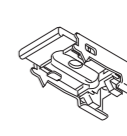
Product View and Part Names



Part Names

- | | | |
|-------------------|--------------------|---------------------------|
| ① Head Rail | ⑥ End Cap | ⑪ Cord Adjuster |
| ② Slide in Velcro | ⑦ Lift Cord | ⑫ Return (when specified) |
| ③ Bracket | ⑧ Coiling Drum | ⑬ Weight Bar |
| ④ Pulley Set | ⑨ Clutch | ⑭ Weight Bar Cap |
| ⑤ Ball Chain | ⑩ Speed Controller | ⑮ Maintenance seal |

Components Parts

| Components | Bracket | Bracket Fixing Screw (Ø3.5×20) | Safety Tassel | |
|--------------------|---|---|---|--------|
| Product Width (mm) |  <Universal Bracket> |  |  | |
| |  <Ceiling Bracket> | | | |
| | ~ 1200 | 2 pcs. | | 2 pcs. |
| | ~ 2000 | 3 pcs. | | 3 pcs. |
| ~ 3000 | 4 pcs. | 4 pcs. | 1 pc | |
| ~ 4000 | 5 pcs. | 5 pcs. | | |

* Universal Bracket is standard part for Front and Ceiling Attachment.
Ceiling Brackets are only included when specified when ordering.

Product Weight

5.0kg (Plain Style + Plain Style: Width 2,000mm × Height 2,000mm)
* The product weight varies according to the style and Screen.

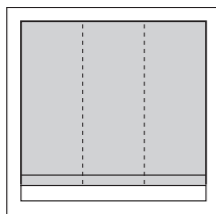
Installation and Detaching

Caution

- ⊘ Do not hold the groove of the Head Rail, and do not force the parts onto the Head Rail
- ⊘ The attached screw for installing the Bracket is for xylem section. Please do not use other than xylem section.

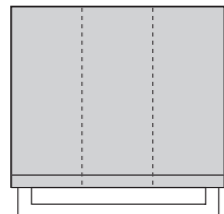
Installation Type <Ceiling Attachment>

Install Inside of a window frame



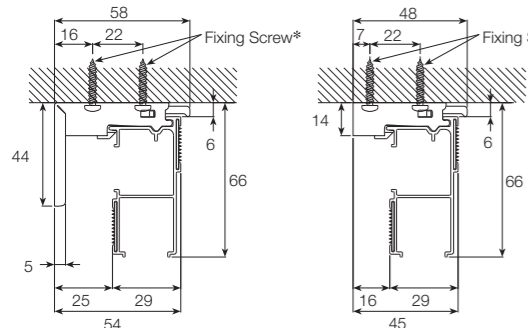
<Front Attachment>

Install on a wall or outside of a window

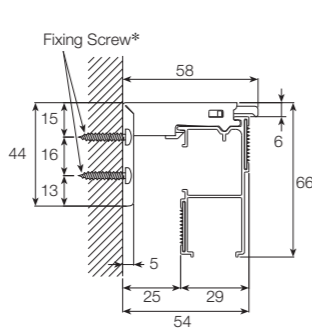


Installation Diagram (mm)

<Ceiling Attachment>



<Front Attachment>



* Universal Bracket is standard part for Front and Ceiling Attachment.

Ceiling Brackets are only included when specified when ordering.

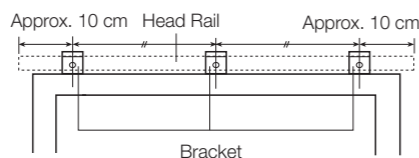
* Place the Fixing Screw in either of the position shown above, according to the condition of the underlying backing material.

* Use the screw hole of higher position on the bracket when you install the product over 2,010mm width by Front Attachment.

Bracket Position

● Install the Brackets on both sides approximately 10 cm from both ends of the Head Rail using Fixing Screws (flat-head, Ø3.5 × 20).

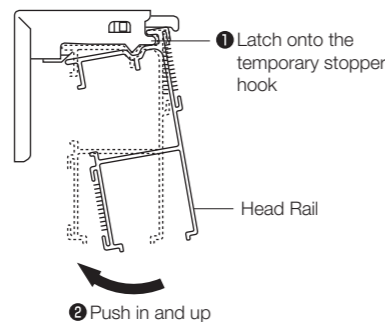
* In the case of a product of 1,210 mm or more in width, three or more brackets will be required. Install them at even intervals.



Installing/Uninstalling the Head Rail

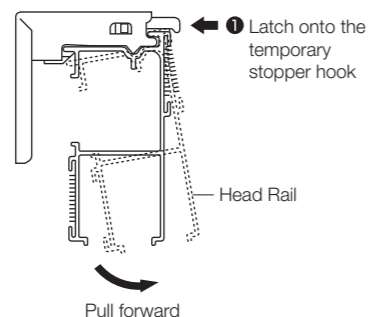
<Installing>

- ① Latch the temporary stopper hook onto the Head Rail.
- ② Push the Head Rail in until it clicks into place.



<Uninstalling>

- ① Grasp the Head Rail and hold the release button on the Bracket while pulling forward.
- ② Remove the Head Rail from the temporary stopper hook.

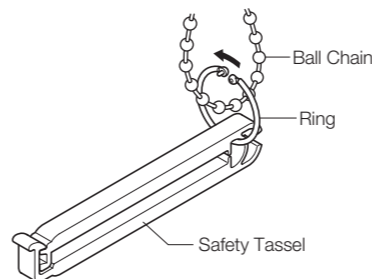


Caution

- ! After installing the Head Rail, make sure the Head Rail is secured to the brackets.

About Safety Tassel

- This Safety Tassel is a part for preventing unexpected accidents such as the Ball Chain becoming wrapped around the neck or body of a child.
- Attach the Safety Tassel to the Ball Chain using the included ring and tie the Ball Chain in a place where children cannot reach.



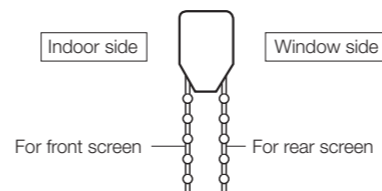
Operation Methods

Caution

- ! Be sure to raise and lower the screen using the Ball Chain.
- ⊘ When lowering the screen, make sure to hold the Ball Chain by hand. If you release your hand from the chain, the screen may drop abruptly, posing a danger.
- ! Take your hands away from the Ball Chain while the screen is lowering.
- ! When lowering the rear screen while the front screen is in a stacked position, the rear screen may not lower because of being hooked onto the front screen. Lower the front screen a little first and then operate the rear screen.

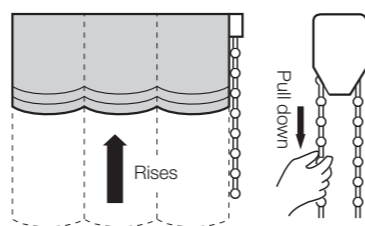
Identification of Front and Rear Screens

- The front screen is raised/lowered with the Ball Chain front side of the pulley.
- The rear screen is raised/lowered with the Ball Chain back side of the pulley.



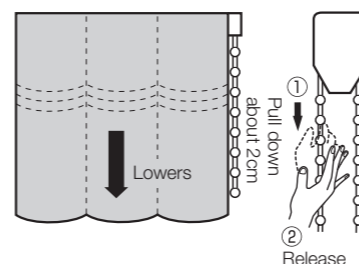
Raising the Screen

- ① Pull down the front side of Ball Chain.
- ② To stop it halfway, stop pulling the Ball Chain, and the screen will stop there.



Lowering the Screen

- ① Pull the front side of Ball Chain by 2cm or so (①) and release your hand from the Ball Chain (②).
- ② Stop will be released and the screen will automatically lower.



Adjusting the height of the screen

- ① To adjust the height at which the screen stops, follow "Lowering the Screen" and lower the screen to the lowest point.
- ② Then follow "Raising the Screen" and loosen your hands at the point where you want the screen to stop.

This manual includes explanations/precautions for care of this product and for inquiries. Be sure to keep this manual after installing the product.

Removing the Screen

For Plain + Plain, Sharp + Plain (Rear Screen)

* Place a mark on the cord (at the top end of the Cord Adjuster) using a pen. The mark will serve as a guide when winding up the cord later, allowing for easy reinstallation. Be very careful not to stain the screen with the pen.

● Lift Cord: Upper end position of the Cord Adjuster

① Lower the Screen fully.

② Unwind the Lift Cord from the Cord Adjuster at the bottom and remove the Cord Adjuster from the Tape with Loop.

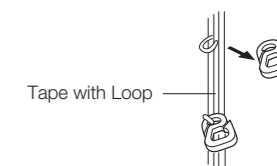
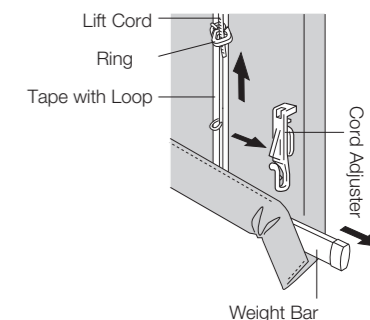
* Keep the Cord Adjuster in a safe place to avoid losing it.

③ Remove the Weight Bar from the Screen.

④ Detach the Screen from the Head Rail.

⑤ Remove the Rings from the Tape with Loop.

* Keep the Ring in a safe place to avoid losing it.



For Sharp + Sharp and Sharp + Plain (Front Screen)

* Place a mark on the cord (at the top end of the Cord Adjuster) using a pen. The mark will serve as a guide when winding up the cord later, allowing for easy reinstallation. Be very careful not to stain the screen with the pen.

● Lift Cord: Upper end position of the Cord Adjuster

● Shaper Tape: the position where the Cord Adjuster is attached or the position where the Lift Cord passes through.

① Lower the Screen fully.

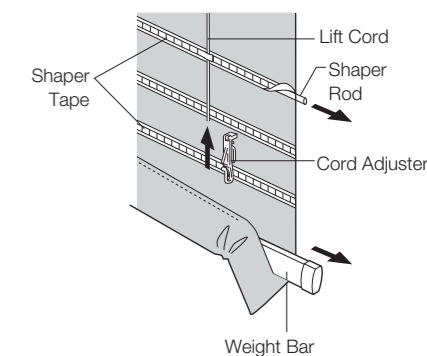
② Unfasten the Cord Adjuster from the Lift Cord, then remove the Cord Adjuster from the Shaper Tape.

* Keep the Cord Adjuster in a safe place to avoid losing it.

③ Remove the Weight Bar and the Shaper Rod.

* Keep the Shaper Rod in a safe place to avoid losing it.

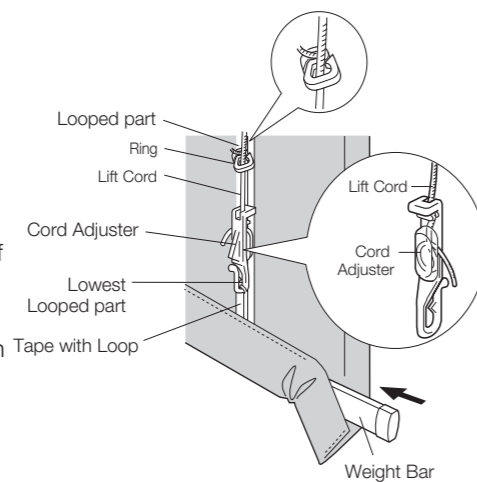
④ Detach the Screen from the Head Rail.



Attaching the Screen

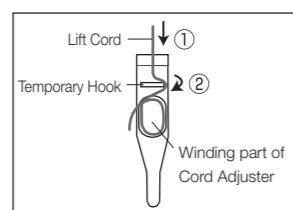
For Plain + Plain, Sharp + Plain (Rear Screen)

- 1 Install the Screen on the Head Rail.
- 2 Hook the smaller hole of the Ring onto the looped part of the Tape with Loop.
- 3 Attach the Cord Adjuster to the lowest looped part of the Tape with Loop.
- 4 Place the Weight Bar into the Screen.
- 5 Pass the Lift Cord through the large hole of the Ring, starting from the top of the Screen. If you happen to omit a Ring, the Lift Cord can be inserted through the notch in the Rings.



- 6 Pass the Lift Cord through the top of the Cord Adjuster (1) and align the fastened position to the top of the Cord Adjuster. The cord can be fastened temporarily by hanging it on the Temporary Hook and swinging the cord to the opposite side (2). Wind the excess portion of the Lift Cord around the Cord Adjuster.

* The securing position of the Lift Cord should be approximately at the location where the cord was originally wound (or at the location where a mark was made with a pen).



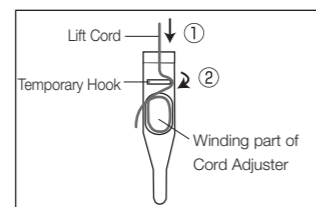
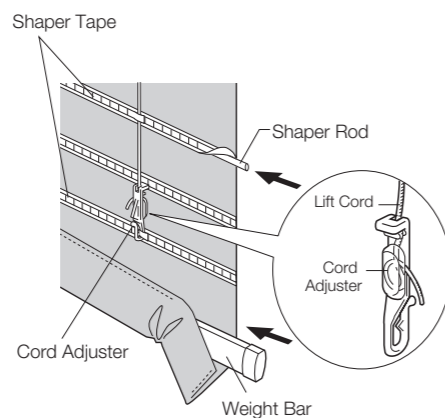
For Sharp + Sharp and Sharp + Plain (Front Screen)

- 1 Install the Screen on the Head Rail.
- 2 Attach the Cord Adjuster at the lowest part of the Shaper Tape.
- 3 Place the Shaper Rod into the Shaper Tape.
- 4 Place the Weight Bar into the Screen.
- 5 Pass the Lift Cord through the Shaper Tape.

- 6 Cord Adjuster (1) and align the fastened position to the top of the Cord Adjuster. The cord can be fastened temporarily by hanging it on the Temporary Hook and swinging the cord to the opposite side (2). Wind the excess portion of the Lift Cord around the Cord Adjuster.

When fixing the Cord Adjuster or passing the Lift Cord through the Shaper Tape, use the position where a mark was previously made on the Shaper Tape.

* The securing position of the Lift Cord should be approximately at the location where the cord was originally wound (or at the location where a mark was made with a pen).



Adjustment Method for Leveling Top Right and Left of Screen

- 1 After installing the Screen, raise it to check to see if its right and left top edges are equal.
- 2 If the heights are not equal, lower the Screen and adjust the heights using procedure described below, such that the tensions of the Lift Cords remain equal.
 - 1 Redo the winding of the Lift Cord that is wrapped around the Cord Adjuster of the lowered side to make it somewhat shorter.
 - 2 Redo the winding of the Lift Cord that is wrapped around the Cord Adjuster of the raised side to make it somewhat longer.

