

TOSO

Roller Blind

Mytec 01 Loop/Mytec 01

Top Box Type/Guide Wire Type

Side Frame Type

No. R-120020E

First edition

Instruction Manual

Thank you for purchasing TOSO products. To ensure safe use of this product, please read the following thoroughly and keep this manual stored.

Guide for Distributors and Installation Contractors

This manual contains information for a user to safely operate this product.
Please provide this manual to a customer.


INDEX


■ Caution	2
■ Product View and Part Names	4
■ Installation Type	8
■ Installation and Detaching of a Top Box Type	8
■ Installation and Detaching of a Guide Wire Type	11
■ Installation of a Side Frame Type / Mytec 01 Loop Only	16
■ How to Operate	18
■ How to Use a Stop Controller (Optional)/Mytec 01 Only	19
■ How to Adjust the Screen Operation Force and the Ascent Speed	20
■ Fixing Improper Rolled up Screen	22
■ Troubleshooting	23
■ Cleaning	23

Caution


* This manual contains cautions and instructions for safe use of the product. Please read it carefully before using to ensure appropriate use.

- This document illustrates the dangers of using this product without taking necessary precautions. Please refer to the symbols below for different types of safety points.

 **Warning** Illustrates that if this product is misused, there are dangers of serious injuries or possible fatal accidents.

 **Caution** Illustrates that if this product is misused, there are dangers of casualties or possible physical damage of the product.

- This document illustrates safety points to be followed using the symbols below.

 Illustrates specific actions which are prohibited.




 Illustrates specific guidelines which must be followed.

■ Precautions upon installing the product (Please read before installation.)

Warning

- ❗ Check the foundation base and strength of the material before installing this product. If not installed properly to the foundation base, there are dangers of it falling.
- ❗ Install this product as instructed with the necessary quantity of brackets. Otherwise the product may fall.





Caution

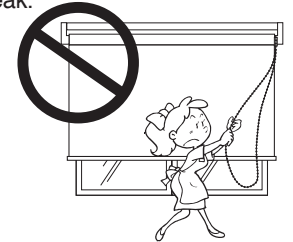
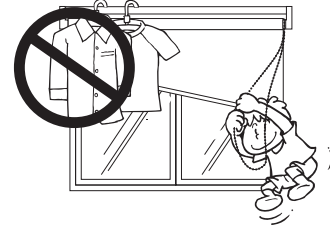
-  This product is intended for indoor use. Please do not use it for outdoor purposes.
-  Locations subject to high temperatures and high humidity, or areas where water may leak, should be avoided.
- ❗ Make sure to install this product horizontally.
-  Do not grab the set bar to carry or lift this product. It may cause damage to the product.





■ Safety in Use (Please read thoroughly.)

Warning


-  Please do not let children play with the cord or chain.
-  Please do not wrap the cord or chain around you, or allow it to get caught on something, because this may result in an accident.
- ❗ When not operating the product, tie the cord and chain at a height that is out of reach of small children.
-  Please do not hang from or pull on this product. This may damage the product or cause it to fall down.
-  Please do not operate the product abruptly or with unreasonable force. This may cause the product to fall down or break.





Caution

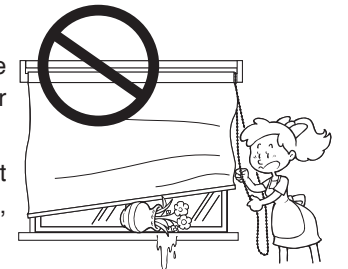
-  When there is a strong wind, either close the window or have the Screen completely rolled up.
-  Please do not dismantle the mechanical assembly nor lubricate the moving parts of this product. This will ensure physical damage or malfunction of the product.



-  Please do not use it by open flames.



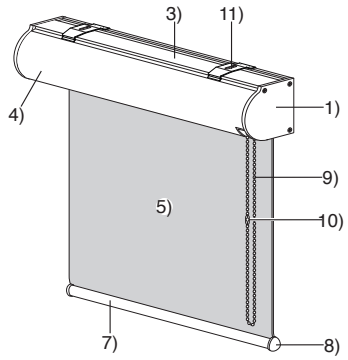
-  Be sure to grasp the pull cord or the ball chain to operate the blind. Do not operate it by grasping the screen, roller pipe or weight bar.
-  Do not place an object that is liable to break or an object that is likely to interfere with the operation of the product, inside the range of the opening and closing operation.
- ❗ Use the product within the specified height range. If you use it outside this range, the screen may fall down or break.



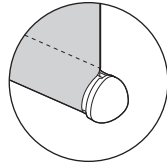
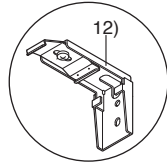
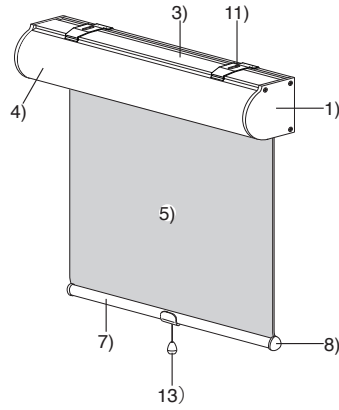
Product View and Part Names

Top Box Type

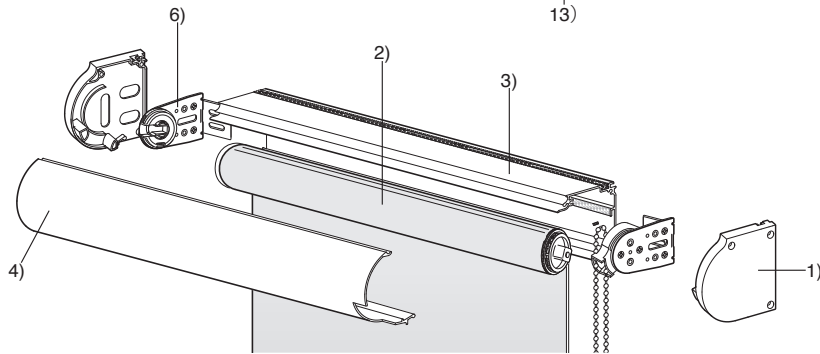
Mytec 01 Loop



Mytec 01



<Wrapping Type>



* The figure shows a right operation.

Component

1) Top Box Cap	5) Screen	9) Ball Chain	13) Pull Ball Set
2) Roller Pipe	6) Side Holder	10) Ball Chain Connector	
3) Top Box Base	7) Weight Bar	11) Top Box Ceiling Bracket	
4) Top Box Cover	8) Weight Bar Cap	12) Top Box Wall Bracket	

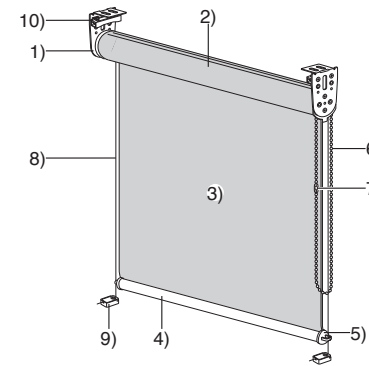
* Regarding the size of Top Box, depend on the size of the product and the specifications of the screen.

* The product can be used in combination with a Guide Wire and a Side Frame.

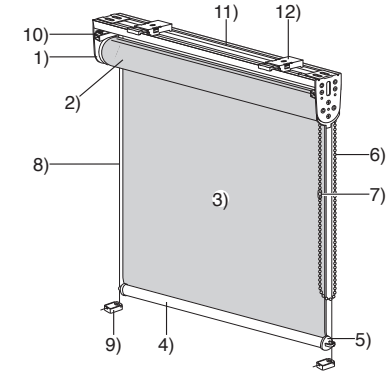
Guide Wire Type

Mytec 01 Loop

<Side Bracket Type>



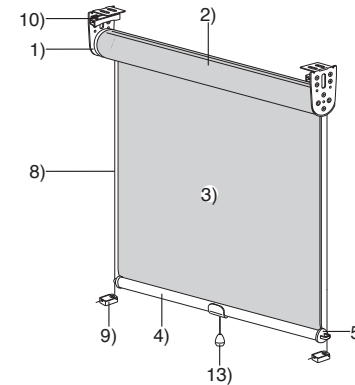
<Set Bar Type>



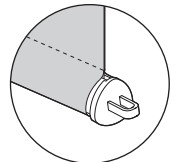
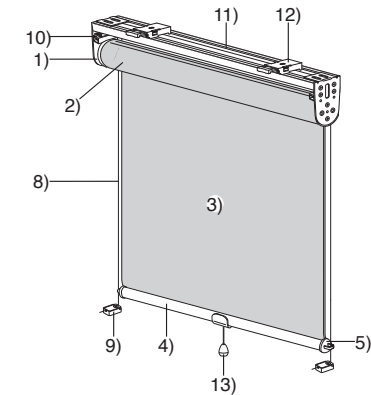
* The figure shows a right operation.

Mytec 01

<Side Bracket Type>



<Set Bar Type>



<Wrapping Type>

Component

1) Side Holder	5) Guide Wire Bottom Cap	9) Wire Base	13) Pull Ball Set
2) Roller Pipe	6) Ball Chain	10) Wire Stop	
3) Screen	7) Ball Chain Connector	11) Set Bar	
4) Weight Bar	8) Guide Wire	12) Bracket (for Set Bar Type)	

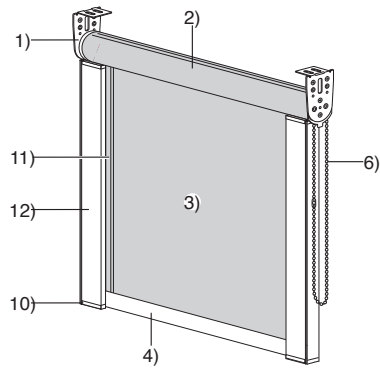
* Regarding the size of Side Holder, depend on the size of the product and the specifications of the screen.

* The product can be used in combination with a Top Box.

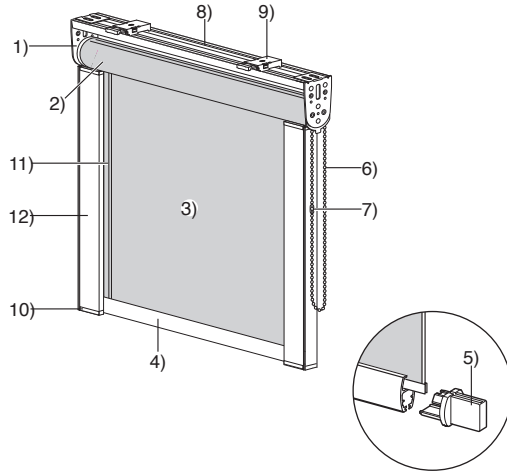
Side Frame Type

Mytec 01 Loop

<Side Bracket Type>



<Set Bar Type>



* The figure shows a right operation.

Component

1) Side Holder	5) Weight Bar Cap for Side Frame	9) Bracket (for Set Bar Type)
2) Roller Pipe	6) Ball Chain	10) Side Frame Cap
3) Screen	7) Ball Chain Connector	11) Side Frame Base
4) Weight Bar (for Side Frame)	8) Set Bar	12) Side Frame Cover

* Regarding the size of Side Holder, depend on the size of the product and the specifications of the screen.

* The product can be used in combination with a Top Box.

Accessories

Component	Bracket (For Set Bar type) *1	Double-sided Tape for Temporary Positioning of Bracket *1	Bracket Fixing Screw (For Set Bar type) *2	Winder *3
	Product Width [mm]			
300-1400	2 pieces	2 sheets	2 screws Fixing Screw (Bindφ3.5×16)	1 winder
1410-2700	3 pieces	3 sheets	3 screws	

Component	Top Box Ceiling Bracket *4	Top Box Wall Bracket *4	Wire Base *5
	Product Width [mm]		
300-1400	2 pieces	2 pieces	Necessary Quantity
1410-2700	3 pieces	3 pieces	

*1 Provided only with the Set Bar type.

*2 Set Bar Bracket Fixing Screws are for wooden part only. Use fixing screws that are suitable for the strength and the material of the frame or wall to which the brackets are to be fixed.

*3 Please keep Winder stored with this manual for future use.

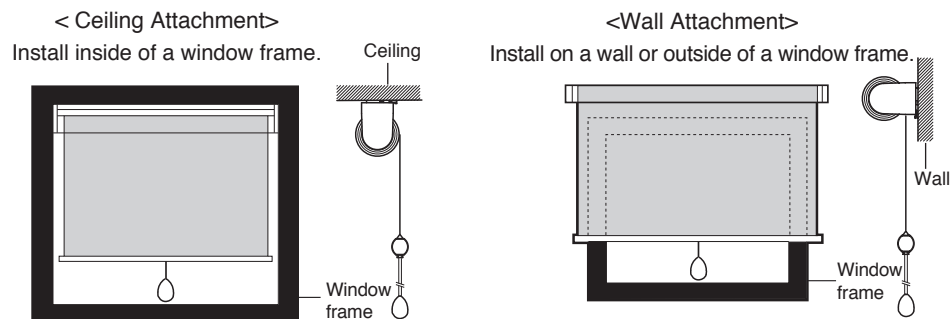
*4 If the top box is to be fixed using brackets, Top Box Ceiling Brackets or Top Box Wall Brackets will be included in the accessory parts.

*5 This part is provided only with Guide Wire Type product. Fixing Screws provided are wood screws. Use mounting screws that are suitable for the strength and the material of the window frame or wall to which the brackets are to be fixed.

Optional Parts

Component		Side Holder Cover	Pull Grip Set	Flat Grip Set	Pile Tape
Product Specification					
Top Box Type	Mytec 01 Loop	—	—	—	○
	Mytec 01	—	○	○	○
Guide Wire Type	Mytec 01 Loop	○	—	—	—
	Mytec 01	○	○	○	—
Side Frame Type	Mytec 01 Loop	○	—	—	○

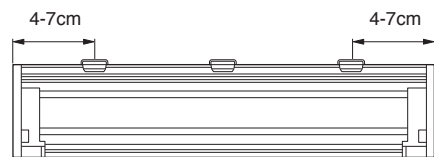
Installation Type



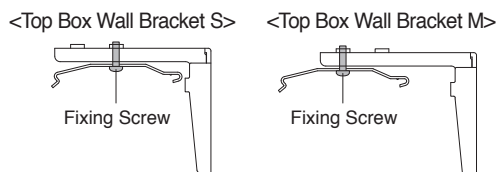
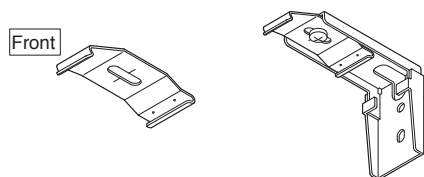
Installation and Detaching of a Top Box Type

(1) Install Top Box Base.

1) The optimum mounting position for the brackets is between about 4 and 7 cm inward of both ends. If three brackets are used, install them at equal intervals. Be careful of the direction of the brackets.



<Top Box Ceiling Bracket> <Top Box Wall Bracket>

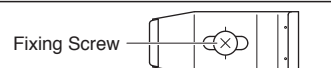


Caution

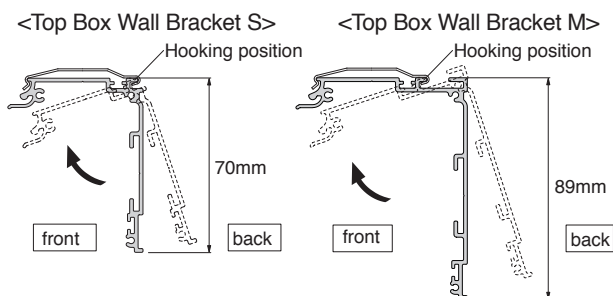
The positions of the setscrews for Top Box Wall Brackets differ according to the size of the top box.

* In the case of Top Box Wall Brackets, the position of Fixing Screw is depend on Top Box size.

* In the case of Top Box Wall brackets, check the position of the Fixing Screw as shown in the illustration at right.



2) The attachment position of each brackets are depend on the size of Top Box. To install the bracket, hook the groove in the bracket onto the rear of the top box base, and then push the bracket as shown in the figure.

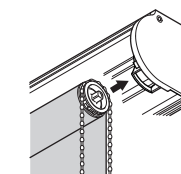


(2) Install the screen.

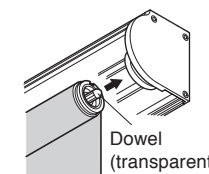
* The illustration applies to the case of Mytec 01 Loop (right operation)/Mytec 01.

1) Pull down the screen about 5 and 10 cm, then insert the dowel (transparent) at the end of the screen into the side holder (right side).

<Mytec 01 Loop>

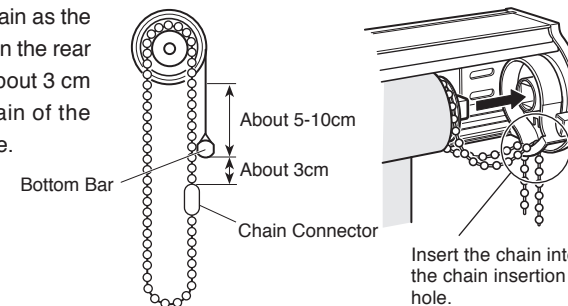


<Mytec 01>

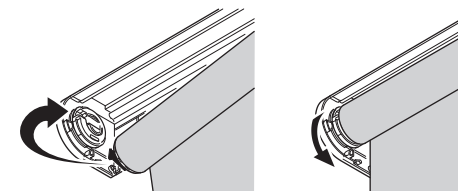


* In the case of Mytec 01 Loop (left operation), insert the protrusion into Side Holder on the left side.

* In the case of Mytec 01 Loop, set the chain as the position of Chain Connector is located on the rear side, then attach Chain Connector is about 3 cm below Bottom Bar. Also, insert the chain of the side holder into the chain insertion hole.

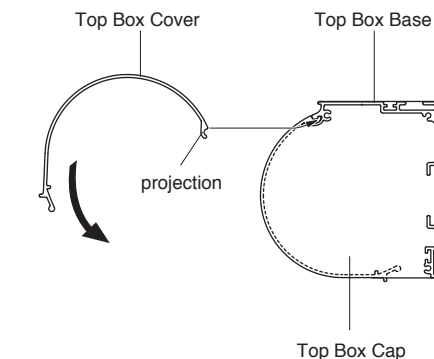


2) Install the black knob on the roll screen body to Side Holder (left side) to ensure that the red part is visible at the front. Once the screen is correctly in place, turn the dial in the "CLOSE" direction until it clicks.



(3) Install Top Box Cover.

Insert the projection on Top Box Cover into the groove in Top Box Base, and then install the cover by pushing it against the top box as shown in the figure until you hear a 'click.' After installing the cover, check to see if it is inside Top Box Cap.



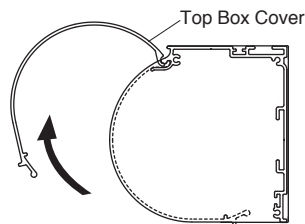
* To remove Top Box Cover, pull it obliquely upward.

* When combine with a Side Frame, install Side Frame first, and then install Top Box Cover.

(4) Finally, open and close the screen two or three times, and check the operation and speed at which the screen ascends and descends.

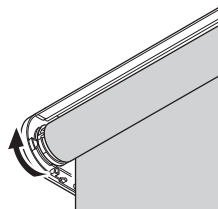
(5) How to remove the screen

- 1) Remove Top Box Cover.
- 2) Pull down the screen about 5 and 10 cm and stop it.



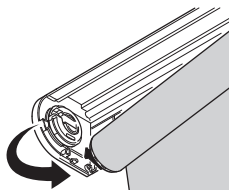
- 3) Turn the dial on Side Holder (left side) in the "OPEN" direction until it clicks.

* In the case of Mytec 01 Loop (left operation), insert the protrusion into Side Holder on the right side.



- 4) Remove a roll screen body slowly with both hands.

* In the case of Mytec 01 Loop, take care that the chain does not fall.



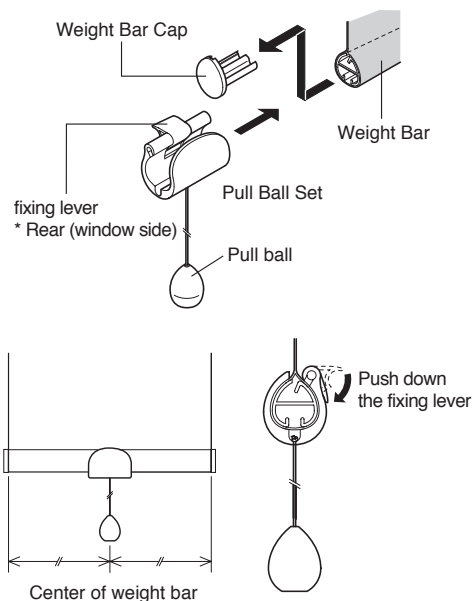
■ Installing/Removing Pull Ball Set (Mytec 01 only)

- (1) Remove Weight Bar Cap on one side from Weight Bar.

- (2) With the fixing lever facing the rear (window side), insert Pull Ball Set into Weight Bar.

- (3) Align the position of Pull Ball Set with the center of Weight Bar, then push down the fixing lever at the rear of Pull Ball Set to fix Pull Ball Set in place.

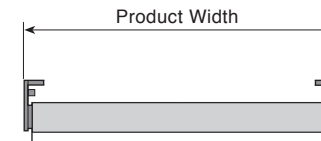
- (4) To remove Pull Ball Set, carry out the installation procedure in reverse ((3) → (2) → (1)).



Installation and Detaching of a Guide Wire Type

<Side Bracket Type>

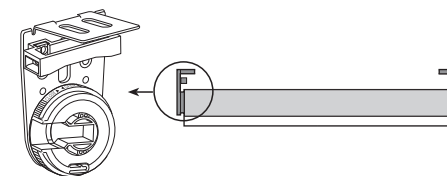
- (1) Determine the installation locations of the brackets so that the distance between the brackets is the same as the width of the product that you ordered.



* The illustration applies to a ceiling attachment. In the case of a wall attachment, install the brackets on the wall using the same procedure.

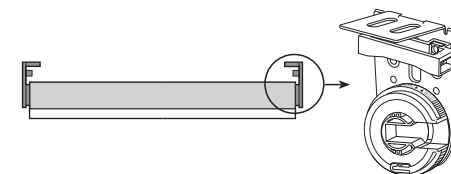
* In the case of Mytec 01 Loop (right operation) and Mytec 01, install the brackets so that the bracket shown in the figure at right is on the left side.

<Mytec 01 Loop (right operation)/Mytec 01>



* In the case of Mytec 01 Loop (left operation), install the brackets so that the bracket shown in the figure at right is on the right side.

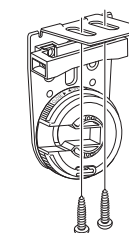
<Mytec 01 Loop (left operation)>



- (2) Mount End Side Brackets with screws.

Caution

Use fixing screws that are suitable for the strength and the material of the wall or window frame to which the brackets are to be fixed. Be sure to install each Side Holder using at least two fixing screws.



(3) Install the screen.

* The illustration applies to the case of ceiling attachment Mytec 01 Loop (right operation)/Mytec 01.

1) Pull down the screen about 5 and 10 cm, then insert the dowel (transparent) at the end of the screen into Side Holder (right side).

* In the case of Mytec 01 Loop (left operation), insert the protrusion into Side Holder on the left side.

* In the case of Mytec 01 Loop, set the chain as the position of Chain Connector is located on the rear side, then attach Chain Connector is about 3 cm below Bottom Bar.

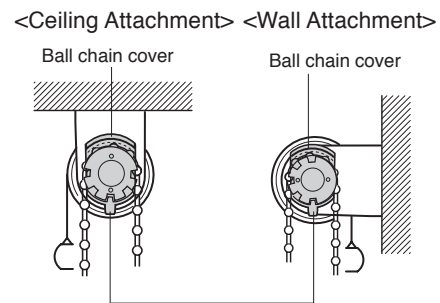
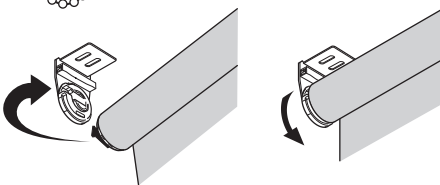
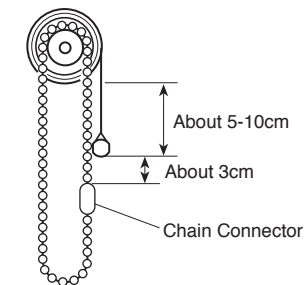
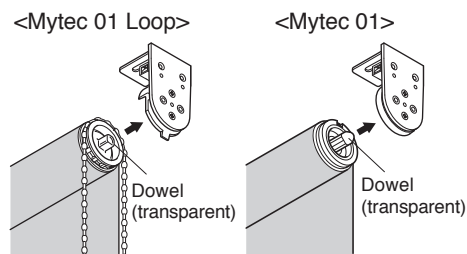
* Install a wall attachment using the same procedure.

2) Install the black knob on the roll screen body to Side Holder (left side) to ensure that the red part is visible at the front. Once the screen is correctly in place, turn the dial in the "CLOSE" direction until it clicks.

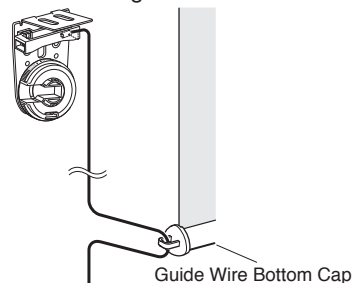
3) In the case of Mytec 01 Loop, set the screen so that the position of the ball chain cover is at the top.

* Push the tab on the ball chain cover to the side opposite the screen, and while keeping it pressed, turn the cover through 90°.

(4) Pass the guide wire fixed to the side holder to Guide Wire Bottom Cap.



Push this tab to the side opposite the screen, and while keeping it pressed, turn the cover through 90°.



(5) Fix the wire. Check the install position of Wire Base.

<Wall Attachment>

1) Install the wire base in a position such that the wires at both ends are parallel to each other, so that the screen ascends and descends smoothly.

Caution

Use fixing screws that are suitable for the strength and the material of the wall or window frame to which the brackets are to be fixed.

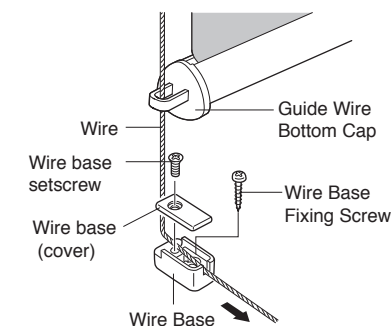
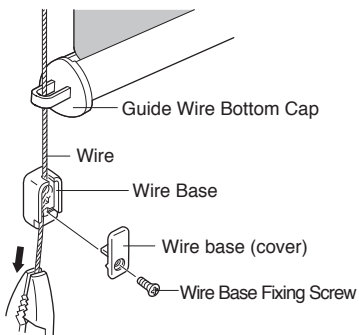
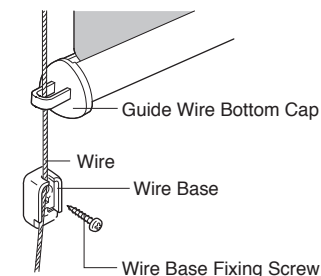
2) Fix the wire to Wire Base Cover, using the wire base fixing screw. Using pliers, or the like, pull the wire hard so that it is not slack. Cut the excess wire using wire cutters, or the like.

* If the screen grazes the wall surface, use install an additional wire base on the existing one.

<In-frame Attachment (Ceiling Attachment)>

In the case where the screen is to be installed inside a window frame, reverse the direction of Wire Base, and then install the screen using the same procedure as for wall attachment.

(6) Finally, open and close the screen two or three times, and check the operation and speed at which the screen ascends and descends.



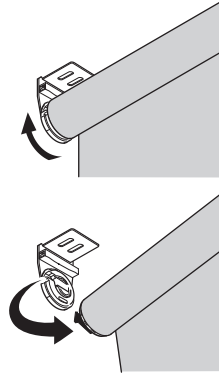
(7) How to remove the screen

- 1) Remove the wire from Wire Base.
- 2) Pull down the screen between about 5 and 10 cm and stop it in that position.
- 3) Turn the dial on Side Holder (left side) in the "OPEN" direction until it clicks.

* In the case of Mytec 01 Loop (left operation), insert the protrusion into Side Holder on the right side.

- 4) Remove a roll screen body slowly with both hands.

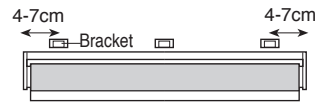
* In the case of the Mytec 01 Loop, take care that the chain does not fall.



* Refer to P. 10 for the method of installing / removing Pull Ball Set.

<Set Bar Type>

- (1) Position brackets approx 4 to 7 cm inward from both ends. Place the third bracket between the brackets in even distance.

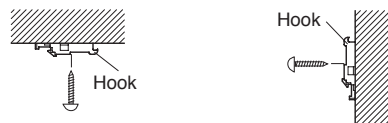


Caution

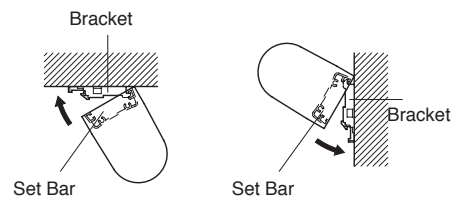
Use fixing screws that are suitable for the strength and the material of the wall or window frame to which the brackets are to be fixed.

- (2) Install Brackets using screws. Use Temporary Positioning Tape if necessary.

<Ceiling Attachment> <Wall Attachment>



- (3) Hook a Set Bar on Brackets and push in until it is firmly fixed.



- (4) In the case of Mytec 01 Loop, set the screen so that the position of the ball chain cover is at the top.

* Push the tab on the ball chain cover to the side opposite the screen, and while keeping it pressed, turn the cover through 90°.

- (5) Fix the wire.

Refer to (5) on P.13.

- (6) Finally, open and close the screen two or three times, and check the operating force and the speed at which the screen ascends and descends.

- (7) To remove Set Bar, remove the wire from the Wire Base, then push the tab on the bracket 1), and while holding it pressed, pull the set bar toward you 2).

- (8) How to remove the screen

- 1) Remove the wire from Wire Base.
- 2) Pull down the screen about 5 and 10 cm and stop it.
- 3) Turn the dial on Side Holder (left side) in the "OPEN" direction until it stops.

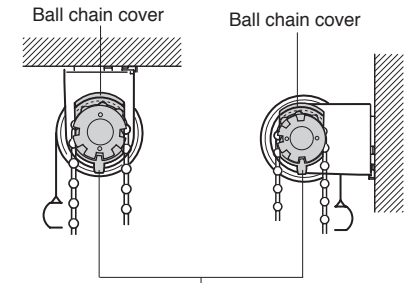
* In the case of Mytec 01 Loop (left operation), insert the protrusion into the Side Holder on the right side.

- 4) Remove a roll screen body slowly by with both hands.

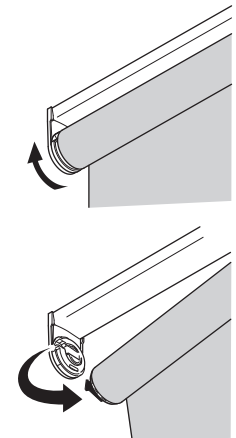
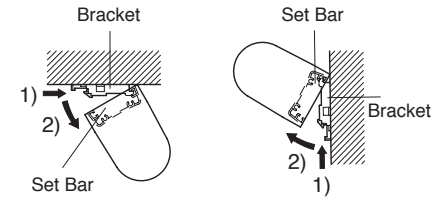
* In the case of Mytec 01 Loop, take care that the chain does not fall.

* Refer to P. 10 for the method of installing / removing the pull ball set.

<Ceiling Attachment> <Wall Attachment>

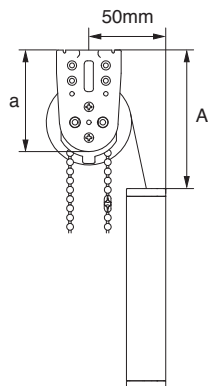


Push this tab to the side opposite the screen, and while keeping it pressed, turn the cover through 90°.

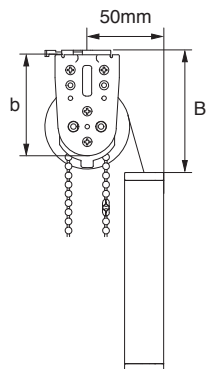


Installation of a Side Frame Type / Mytec 01 Loop Only

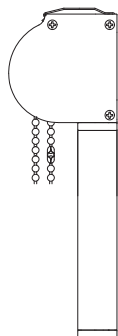
<Side Bracket Type>



<Set Bar Type>



<Top Box Type>



* The installation position of Side Frame of a Side Bracket Type differs from that of a Set Bar Type. Install Side Frame according to the following dimensions.

* If a side holder cover (optional) is installed, dimensions a and b will be about 2 mm longer.

Dimension a	56mm	66mm	Dimension b	66mm	74mm
Dimension A	70mm	90mm	Dimension B	80mm	100mm

(1)After installing the screen, install Side Frame Base. The installing position must conform to the above dimensions.

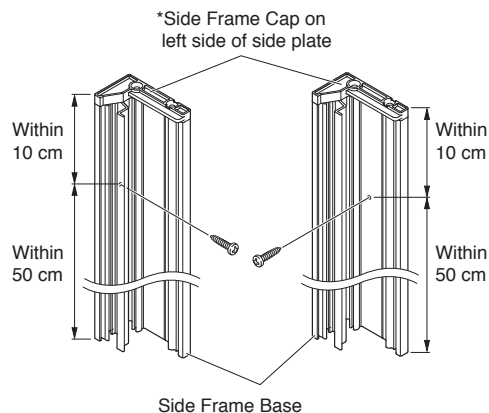
Side Frame Base is intended for both in-frame attachment type and wall attachment type. Install the fixing screws within 10 cm from both ends at the top and bottom, and within 50 cm elsewhere.

Caution

Use fixing screws that are suitable for the strength and the material of the wall or window frame to which the brackets are to be fixed.

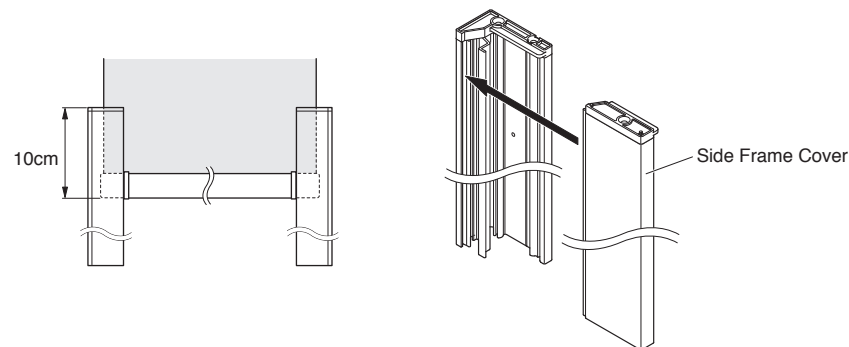
* When installing the screen, refer to the following:
 For a side bracket type, refer to (1) - (4) on P11 and 12.
 For a set bar type, refer to (1) - (4) on P14 and 15.
 For a top box type, refer to (1) - (3) P8 and 9.

<In-frame Attachment> <Wall Attachment>



(2)Lower the screen about 10 cm, and install Side Frame Cover. Push in the cover hard until you hear a 'click.'

* To remove the screen, lower it about 10 cm, and pull each side frame cover toward the center of the screen.



(3)Finally, open and close the screen two or three times, and check the operating force at which the screen ascends and descends.

How to Operate

<Mytec 01 Loop>

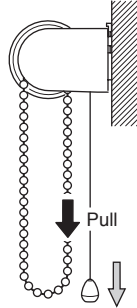


Caution

- ❗ Make sure to pull Ball Chain slowly when using the product. If Ball Chain is pulled quickly, the product may not roll up properly.
- ⊘ Please do not hang from the screen or the ball chain. The product may fall down.

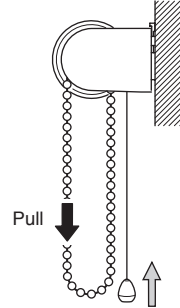
■ How to close a screen

- Pull the back side of Ball Chain downward.



■ How to open a screen

- Pull the front side of Ball Chain downward.



<Mytec 01>

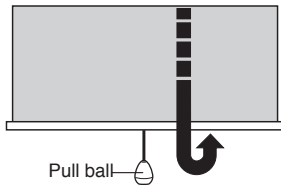


Caution

- ❗ To operate the blind, grasp the pull ball with your hand, and move it in the vertical direction. Be sure to set the pull ball at the center of Weight Bar. If the pull ball does not coincide with the center, or if you move it obliquely, trouble is likely to occur.

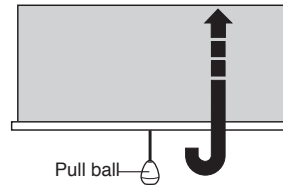
■ How to close a screen

- By pulling the pull ball directly downward and then releasing it, the screen will stop at that position.



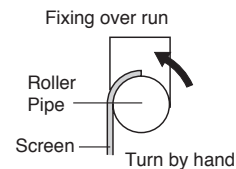
■ How to open a screen

- By pulling down the pull ball a distance of about 5 to 6 cm and then releasing it, the screen will rise.



* If you pull down the screen hard, for example, the screen is likely to overrun, and may fail to rise again. In such a case, turning Roller Pipe slightly by hand will enable the screen to be rolled up.

* When the room temperature is low, such as during winter, the speed at which the screen rises may slow down. Please note, however, that this does not mean that the blind is broken.



How to Use a Stop Controller (Optional)/Mytec 01 Only

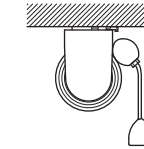
- Stop Controller is optional parts and it can be stop the screen at a predetermined height every time. Use this function when you wish to stop the screens of connected windows at the same height, for example.

■ How to adjust the stop position

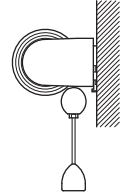
- (1) First, set the screen in the fully rolled up condition.

* In the case of Top Box Type, remove Top Box Cover first.

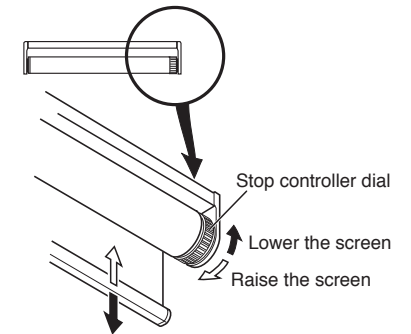
<Ceiling Attachment>



<Wall Attachment>



- (2) Turn the dial of the stop controller on the side holder (right side) to the rear, and lower the screen to the desired height. Turning the dial toward you causes the screen to rise.



- (3) Pull the pull ball, and open and close the screen several times. If the stop position is incorrect, carry out fine adjustment by turning the dial.

* In the case of Top Box Type, install Top Box Cover last.



Caution

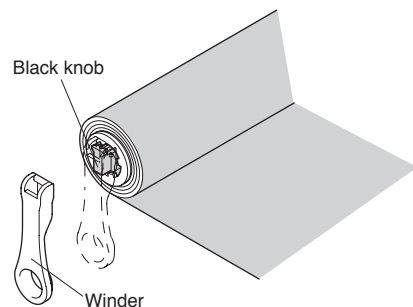
- ⊘ Do not open and close the screen by turning the screen or Roller Pipe because this may damage the blind.

How to Adjust the Screen Operation Force and the Ascent Speed

(1) Remove the screen.

* To remove the screen, refer to the removal method that corresponds to the specifications of the screen.

(2) Align Winder provided with the black knob on the screen that you removed, then carry out adjustment as described below.

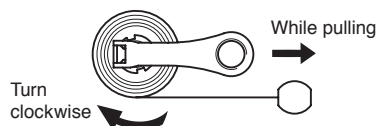


<Mytec 01 Loop>

■ Lighter roll up

<Right operation>

● Turn Winder 1-2 times clockwise while pulling Winder as directed and unlocking the speed.



<Left operation>

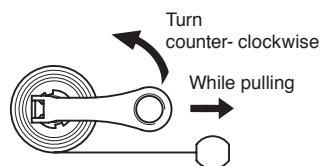
● Turn Winder 1-2 times counter-clockwise while pulling Winder as directed and unlocking the speed.



■ Heavier roll up

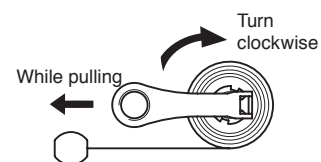
<Right operation>

● Turn Winder 1-2 times counter-clockwise while pulling Winder as directed and unlocking the speed.



<Left operation>

● Turn Winder 1-2 times clockwise while pulling Winder as directed and unlocking the speed.



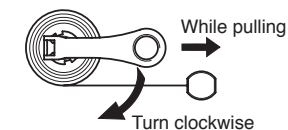
⚠ Caution

- ❗ Winder does not turn if not pulled to unlock direction as illustrated.
- ⊘ Do not turn more than twice at once.
- ❗ Hold Winder securely especially while pulling to unlock direction. If Winder is released while pulled to unlock direction, Roller Pipe blows off Winder, and it may cause accidents or injuries.

<Mytec 01>

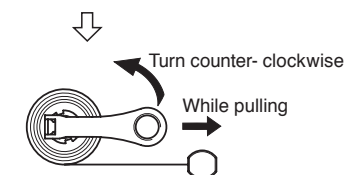
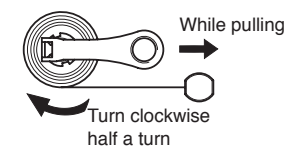
■ Faster roll up

● Turn Winder 1-2 times clockwise while pulling Winder as directed and unlocking the speed.



■ Slower roll up

● While pulling Winder as directed and unlocking the speed, turn Winder half a turn in the clockwise direction and then 1-2 times in the opposite direction.



⚠ Caution

- ❗ Winder does not turn if not pulled to unlock direction as illustrated.
- ⊘ Do not turn more than twice at once.
- ❗ Hold a winder securely especially while pulling to unlock direction. If Winder is released while pulled to unlock direction, Roller Pipe blows off Winder, and it may cause accidents or injuries.

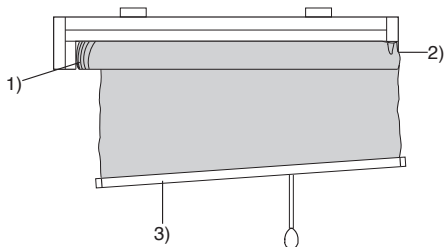
(3) To install the screen, refer to the installation method that corresponds to the specifications of the screen.

Fixing Improper Rolled up Screen

- When a screen is not rolled up properly, it may cause damages to the screen or the product. TOSO Roller Blinds are inspected and adjusted to operate properly when delivered, however if a roller blind rolls improperly, follow below instruction.

<What is Improper Rolling?>

- 1) Screen edge is misaligned.
- 2) Screen edge touches a side holder.
- 3) Weight Bar is not horizontal.

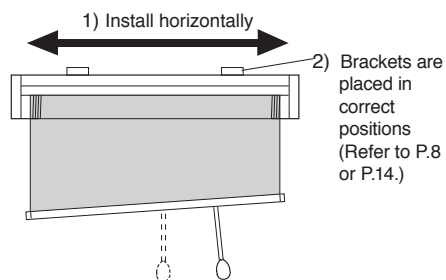


How to fix improper rolling?

- (1) Make sure a product is installed correctly.

- 1) Is a product installed horizontally?
- 2) Are Brackets placed at correct at position?
- 3) Has the pull ball been set at the center of Weight Bar? (In the case of Mytec 01)

- * Reinstall the product if it is not installed properly.

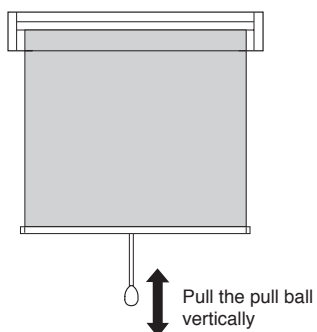


- 3) Set the pull ball at the center of the weight bar (Refer to P.10)

- (2) In the case of Mytec 01 Loop, pull Ball Chain slowly so as to lower the screen to the bottom and stop it there, then roll up the screen once again.

In the case of Mytec 01, pull the pull ball vertically downward so as to lower the screen to the bottom and stop it there, then pull down the screen by a further 3 to 4 cm and release it so that it rises again.

- (3) Repeat the instruction (2) for 2-3 times.



Troubleshooting

Model	Phenomenon	Actions
Mytec 01 Loop	● When the screen does not stop at the desired height, and rolls down.	➔ ● Adjust the operating force by repeatedly carrying out the procedure described in "Lighter roll up" under <Mytec 01 Loop> on P.20.
	● When the screen does not stop at the desired height, and rolls up.	➔ ● Adjust the operating force by repeatedly carrying out the procedure described in "Heavier roll up" under <Mytec 01 Loop> on P.20.
	● When Ball Chain is pulled, it does not operate smoothly with an unusual noise, or does not operate at all.	➔ ● It is likely that the position of Ball Chain Cover is incorrect. Carry out the procedure set out on P.12 or P.15.
Mytec 01	● When the screen does not roll up, or when the roll-up speed is very low.	➔ ● Repeatedly carry out the adjustment procedure described in "Faster roll up" under <Mytec 01> on P.21.
Common	● When the screen does not descend	➔ ● It is likely that this is because the dial of Side Holder is not fully in the "CLOSE" condition. Turn the dial in the "CLOSE" direction until it stops completely.

⚠ Caution

- ⊘ Do not disassemble or modify the mechanism inside Roller Pipe.

Cleaning

- For regular care, dust with a feather duster or a hand mop.
- To avoid discoloration, avoid cleaning the screen with water or using it in a location susceptible to splashing water.