

TOSO

Roller Blind

Mytec 01 Loop/Mytec 01

No. R-120019E

First edition

Instruction Manual

Thank you for purchasing TOSO products. To ensure safe use of this product, please read the following thoroughly and keep this manual stored.

Guide for Distributors and Installation Contractors

This manual contains information for a user to safely operate this product.
Please provide this manual to a customer.

INDEX

■ Caution	2
■ Product View and Part Names	4
■ Installation and Detaching	6
■ How to Operate	10
■ How to Use a Stop Controller (Optional)/Mytec 01 Only	11
■ How to Adjust the Screen Operation Force and the Ascent Speed	12
■ Fixing Improper Rolled up Screen	14
■ Troubleshooting	15
■ Cleaning	15

Caution

* This manual contains cautions and instructions for safe use of the product. Please read it carefully before using to ensure appropriate use.

- This document illustrates the dangers of using this product without taking necessary precautions. Please refer to the symbols below for different types of safety points.



Warning

Illustrates that if this product is misused, there are dangers of serious injuries or possible fatal accidents.



Caution

Illustrates that if this product is misused, there are dangers of casualties or possible physical damage of the product.

- This document illustrates safety points to be followed using the symbols below.



Illustrates specific actions which are prohibited.



Illustrates specific guidelines which must be followed.

- Precautions upon installing the product (Please read before installation.)



Warning

- ❗ Check the foundation base and strength of the material before installing this product. If not installed properly to the foundation base, there are dangers of it falling.
- ❗ Install this product as instructed with the necessary quantity of brackets. Otherwise the product may fall.



Caution

- ⊘ This product is intended for indoor use. Please do not use it for outdoor purposes.
- ⊘ Locations subject to high temperatures and high humidity, or areas where water may leak, should be avoided.
- ❗ Make sure to install this product horizontally.
- ⊘ Do not grab the set bar to carry or lift this product. It may cause damage to the product.

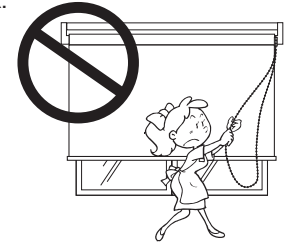
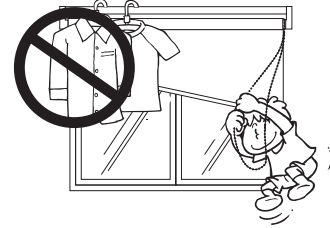


- Safety in Use (Please read thoroughly.)



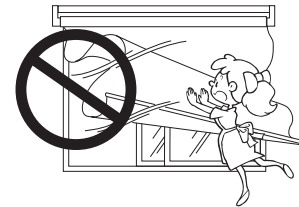
Warning

- ⊘ Please do not let children play with the cord or chain.
- ⊘ Please do not wrap the cord or chain around you, or allow it to get caught on something, because this may result in an accident.
- ❗ When not operating the product, tie the cord and chain at a height that is out of reach of small children.
- ⊘ Please do not hang from or pull on this product. This may damage the product or cause it to fall down.
- ⊘ Please do not operate the product abruptly or with unreasonable force. This may cause the product to fall down or break.



Caution

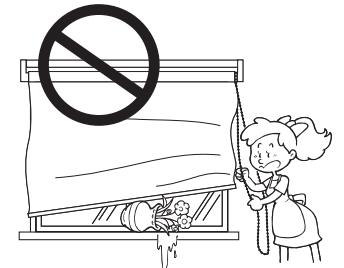
- ⊘ When there is a strong wind, either close the window or have the Screen completely rolled up.
- ⊘ Please do not dismantle the mechanical assembly nor lubricate the moving parts of this product. This will ensure physical damage or malfunction of the product.



- ⊘ Please do not use it by open flames.

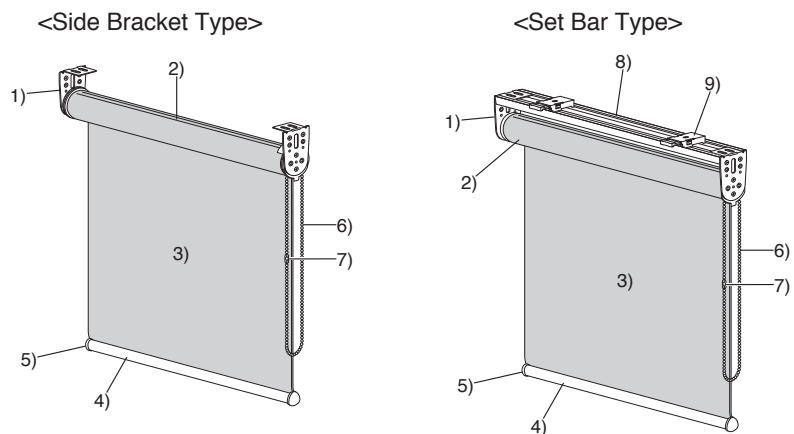


- ⊘ Be sure to grasp the pull cord or the ball chain to operate the blind. Do not operate it by grasping the screen, roller pipe or weight bar.
- ⊘ Do not place an object that is liable to break or an object that is likely to interfere with the operation of the product, inside the range of the opening and closing operation.
- ❗ Use the product within the specified height range. If you use it outside this range, the screen may fall down or break.



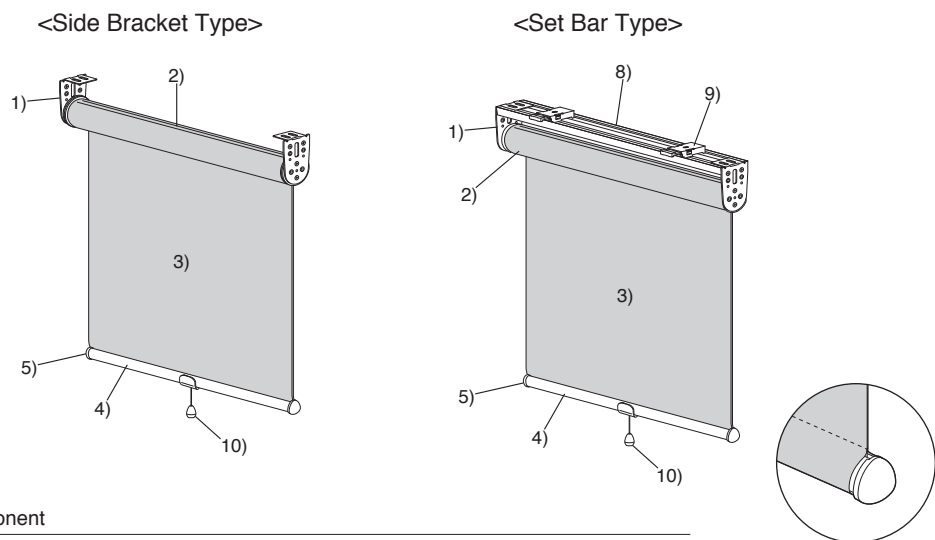
Product View and Part Names

Mytec 01 Loop



* The figure shows a right operation.

Mytec 01

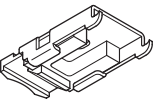





Component

- | | | |
|----------------|--|-------------------------------|
| 1) Side Holder | 5) Weight Bar Cap | 8) Set Bar |
| 2) Roller Pipe | 6) Metal Ball Chain or
Plastic Ball Chain | 9) Bracket (For Set Bar type) |
| 3) Screen | | 10) Pull Ball Set |
| 4) Weight Bar | 7) Ball Chain Connector | |

* The size of Side Holder changes with the size of the product and the screen.

Accessories

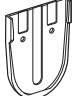

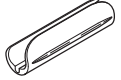
Component	Bracket (For Set Bar type) *1	Double-sided Tape for Temporary Positioning of Bracket *1	Bracket Fixing Screw (For Set Bar type) *2	Winder *3
Product Width [mm]			 Fixing Screw (Bindφ3.5×16)	
300-1400	2 pieces	2 sheets	2 screws	1 winder
1410-2700	3 pieces	3 sheets	3 screws	

*1 Provided only with Set Bar Type.

*2 Set Bar Bracket Fixing Screws are for wooden part only. Use fixing screws that are suitable for the strength and the material of the frame or wall to which the brackets are to be fixed.

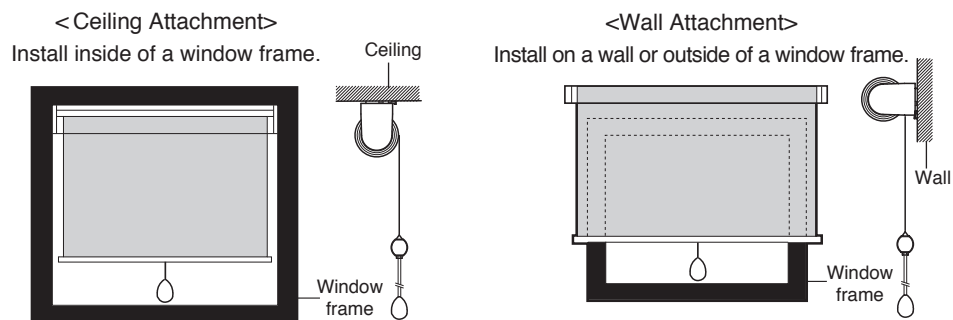
*3 Please keep a Winder stored with this manual for future use.

Optional Parts

	Side Holder Cover	Pull Grip Set	Flat Grip Set
			
Mytec 01 Loop	○	—	—
Mytec 01	○	○	○

Installation and Detaching

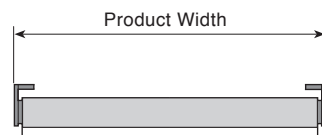
Installation Type



Installation and Detaching

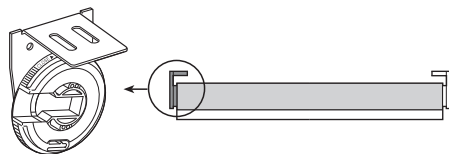
<Side Bracket Type>

(1) Determine the mounting positions of the brackets while ensuring that the dimension between the brackets is the same as the width of the product that you ordered.



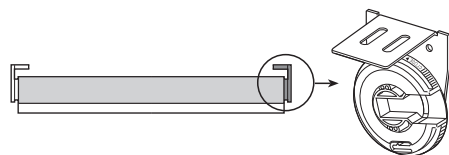
* In the case of Mytec 01 Loop (right operation) and Mytec 01, install the brackets so that the bracket shown at right is on the left side.

<Mytec 01 Loop (right operation)/ Mytec 01>



* In the case of Mytec 01 Loop (left operation), install the brackets so that the bracket shown at right is on the right side.

<Mytec 01 Loop (left operation)>

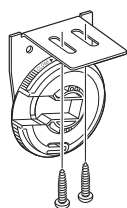


(2) Install the brackets using the fixing screws.



Caution

Use fixing screws that are suitable for the strength and the material of the wall or window frame to which the brackets are to be fixed. Be sure to install each side holder using at least two fixing screws.



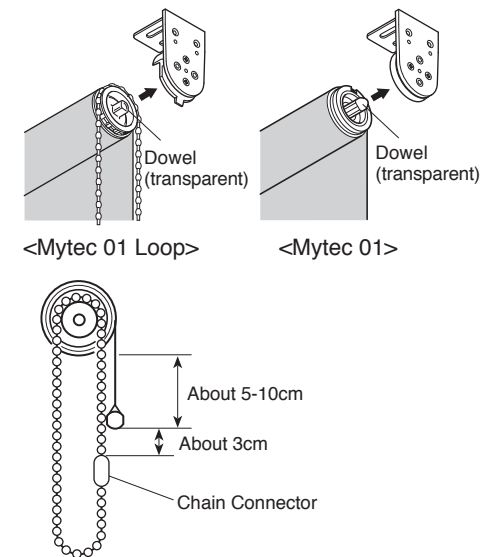
(3) Install the screen.

* The illustration applies to the case of Mytec 01 Loop (right operation)/Mytec 01.

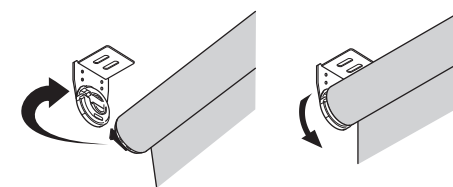
1) Pull down the screen about 5 and 10 cm, then insert the dowel (transparent) at the end of the screen into Side Holder (right side).

* In the case of Mytec 01 Loop (left operation), insert the protrusion into Side Holder on the left side.

* In the case of Mytec 01 Loop, set the chain as the position of Chain Connector is located on the rear side, then attach Chain Connector is about 3 cm below Bottom Bar.

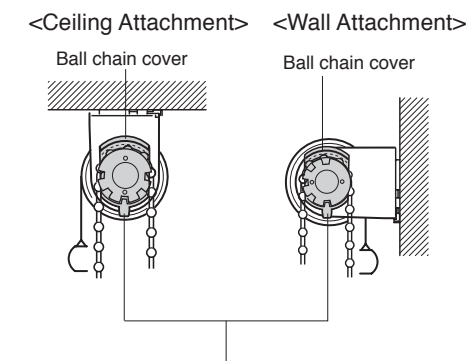


2) Install the black knob on roll screen body to Side Holder (left side) to ensure that the red part is visible at the front. Once the screen is correctly in place, turn the dial in the "CLOSE" direction until it clicks.



3) In the case of Mytec 01 Loop, set the screen so that the position of the ball chain cover is at the top.

* Push the tab on the ball chain cover to the side opposite the screen, and while keeping it pressed, turn the cover through 90°.



(4) Finally, open and close the screen two or three times, and check the operation and speed at which the screen ascends and descends.

(5) How to remove the screen

1) Pull down the screen between about 5 and 10 cm and stop it in that position.

2) Turn the dial on Side Holder (left side) in the "OPEN" direction until it stops.

* In the case of Mytec 01 Loop (left operation), the dial is on the right side.

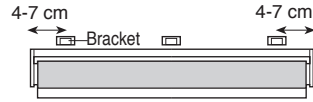
3) Grasp the product with both hands, and slowly remove it.

* In the case of Mytec 01 Loop, take care that the chain does not drop.

Push this tab to the side opposite the screen, and while keeping it pressed, turn the cover through 90°.

<Set Bar Type>

- (1) The optimum mounting position for the brackets is between about 4 and 7 cm inward of both ends. If three brackets are used, install them at equal intervals.



⚠ Caution

- Use mounting screws that are suitable for the strength and the material of the wall or window frame to which the brackets are to be fixed.

- (2) Install Brackets on the window frame or wall. You can temporarily fix the brackets by using the tape for temporary positioning provided.

- (3) Attach Set Bar to the temporary fixing hook, then push it to fix it in place.

- (4) In the case of Mytec 01 Loop, set the screen so that the position of the ball chain cover is at the top.

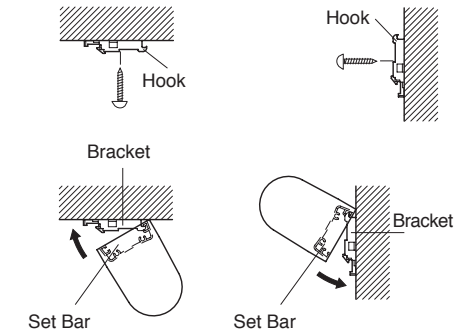
- * Push the tab on the ball chain to the side opposite the screen, and while keeping it pressed, turn the cover through 90°.

- (5) Finally, open and close the screen two or three times, and check the operation and speed at which the screen ascends and descends.

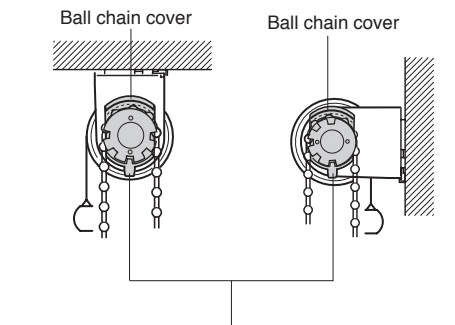
- (6) To remove Set Bar, push the tab on the bracket (1), and while holding it pressed, pull the set bar toward you (2).

- * Before removing the screen, refer to P.7 (5) How to remove the screen.

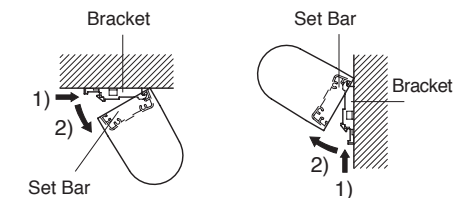
<Ceiling Attachment> <Wall Attachment>



<Ceiling Attachment> <Wall Attachment>



Push this tab to the side opposite the screen, and while keeping it pressed, turn the cover through 90°.



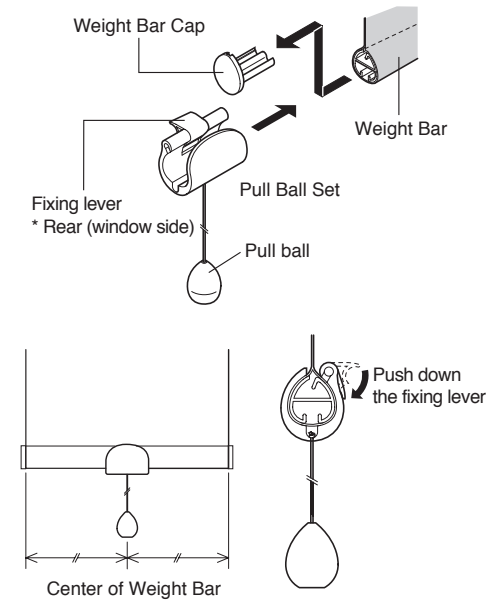
■ Installing/Removing the Pull Ball Set (Mytec 01 only)

- (1) Remove Weight Bar Cap on one side from Weight Bar.

- (2) With the fixing lever facing the rear (window side), insert Pull Ball Set into Weight Bar.

- (3) Align the position of Pull Ball Set with the center of Weight Bar, then push down the fixing lever at the rear of Pull Ball Set to fix the Pull Ball Set in place.

- (4) To remove Pull Ball Set, carry out the installation procedure in reverse ((3) → (2) → (1)).



How to Operate

<Mytec 01 Loop>

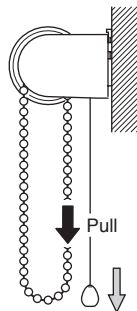


Caution

- ❗ Make sure to pull Ball Chain slowly when using the product. If Ball Chain is pulled quickly, the product may not roll up properly.
- ⊘ Please do not hang from the screen or the ball chain. The product may fall down.

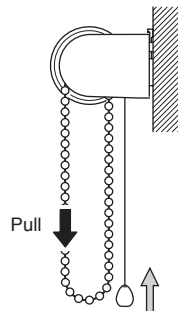
■ How to close a screen

- Pull the back side of Ball Chain downward.



■ How to open a screen

- Pull the front side of Ball Chain downward.



<Mytec 01>

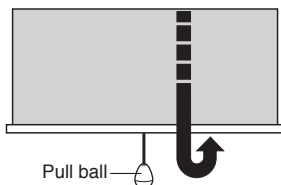


Caution

- ❗ To operate the blind, grasp the pull ball with your hand, and move it in the vertical direction. Be sure to set the pull ball at the center of Weight Bar. If the pull ball does not coincide with the center, or if you move it obliquely, trouble is likely to occur.

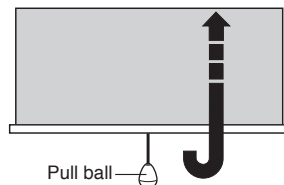
■ How to close a screen

- By pulling the pull ball directly downward and then releasing it, the screen will stop at that position.



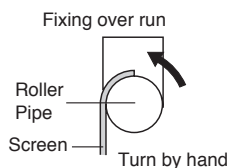
■ How to open a screen

- By pulling down the pull ball a distance of about 5 to 6 cm and then releasing it, the screen will rise.



* If you pull down the screen hard, for example, the screen is likely to overrun, and may fail to rise again. In such a case, turning Roller Pipe slightly by hand will enable the screen to be rolled up.

* When the room temperature is low, such as during winter, the speed at which the screen rises may slow down. Please note, however, that this does not mean that the blind is broken.



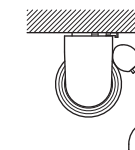
How to Use a Stop Controller (Optional)/Mytec 01 Only

- Stop Controller is optional parts and it can be stopped at a predetermined height. Use this function when you wish to stop the screens of connected windows at the same height, for example.

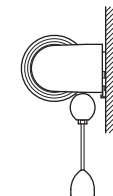
■ How to adjust the stop position

- (1) First, set the screen in the fully rolled up condition.

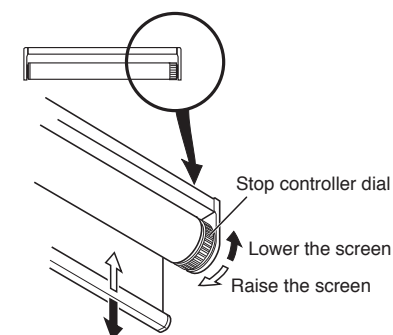
<Ceiling Attachment>



<Wall Attachment>



- (2) Turn the dial of the stop controller on Side Holder (right side) to the rear, and lower the screen to the desired height. Turning the dial toward you causes the screen to rise.



- (3) Pull the pull ball, and open and close the screen several times. If the stop position is incorrect, carry out fine adjustment by turning the dial.



Caution

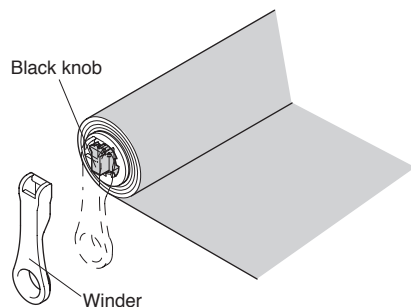
- ⊘ Do not raise and lower the screen by turning the screen or Roller Pipe because this may damage the blind.

How to Adjust the Screen Operation Force and the Ascent Speed

(1) Remove the screen.

* Refer to P.7 (5) How to remove the screen.

(2) Align Winder provided with the black knob on the screen that you removed, then carry out adjustment as described below.

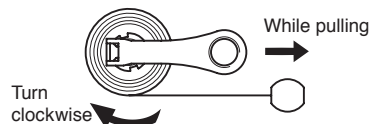


<Mytec 01 Loop>

■ Lighter roll up

<Right operation>

- Turn Winder 1-2 times clockwise while pulling Winder as directed and unlocking the speed.



<Left operation>

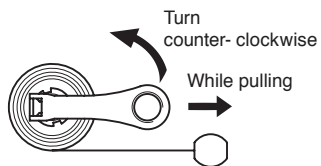
- Turn Winder 1-2 times counter-clockwise while pulling Winder as directed and unlocking the speed.



■ Heavier roll up

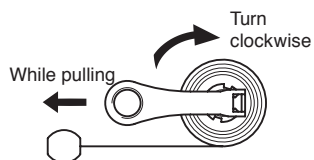
<Right operation>

- Turn Winder 1-2 times counter-clockwise while pulling Winder as directed and unlocking the speed.



<Left operation>

- Turn Winder 1-2 times clockwise while pulling Winder as directed and unlocking the speed.



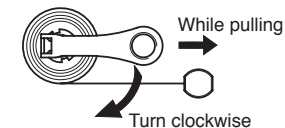
⚠ Caution

- ⚠ Winder does not turn if not pulled to unlock direction as illustrated.
- ⊘ Do not turn more than twice at once.
- ⚠ Hold Winder securely especially while pulling to unlock direction. If Winder is released while pulled to unlock direction, Roller Pipe blows off Winder, and it may cause accidents or injuries.

<Mytec 01>

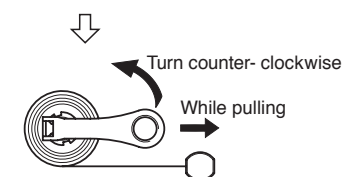
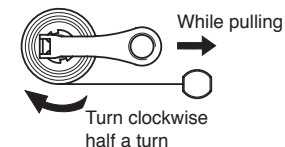
■ Faster roll up

- Turn Winder 1-2 times clockwise while pulling Winder as directed and unlocking the speed.



■ Slower roll up

- While pulling Winder as directed and unlocking the speed, turn Winder half a turn in the clockwise direction and then 1-2 times in the opposite direction.



⚠ Caution

- ⚠ Winder does not turn if not pulled to unlock direction as illustrated.
- ⊘ Do not turn more than twice at once.
- ⚠ Hold Winder securely especially while pulling to unlock direction. If Winder is released while pulled to unlock direction, Roller Pipe blows off Winder, and it may cause accidents or injuries.

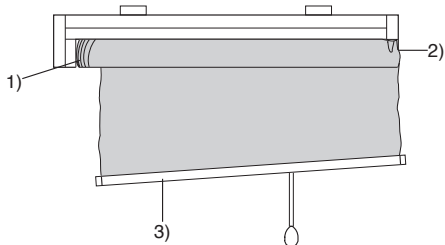
(3) To install the screen, follow the procedure set out on P.7 (3).

Fixing Improper Rolled up Screen

- When a screen is not rolled up properly, it may cause damages to the screen or the product. TOSO Roller Blinds are inspected and adjusted to operate properly when delivered, however if a roller blind rolls improperly, follow below instruction.

<What is Improper Rolling?>

- 1) Screen edge is misaligned.
- 2) Screen edge touches a side holder.
- 3) Weight Bar is not horizontal.

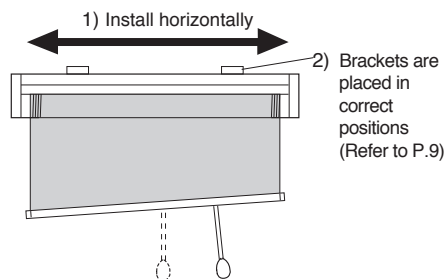


How to fix improper rolling?

- (1) Make sure a product is installed correctly.

- 1) Is a product installed horizontally?
- 2) Are Brackets placed at correct at position?
- 3) Has the pull ball been set at the center of Weight Bar? (In the case of Mytec 01)

- * Reinstall the product if it is not installed properly.

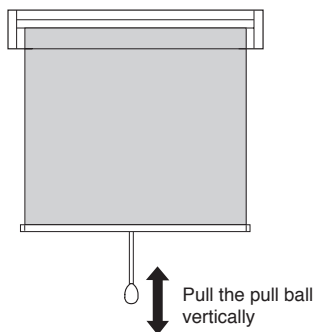


- 3) Set the pull ball at the center of the weight bar (Refer to P.8)

- (2) In the case of Mytec 01 Loop, pull Ball Chain slowly so as to lower the screen to the bottom and stop it there, then roll up the screen once again.

In the case of Mytec 01, pull the pull ball vertically downward so as to lower the screen to the bottom and stop it there, then pull down the screen by a further 3 to 4 cm and release it so that it rises again.

- (3) Repeat the instruction (2) for 2-3 times.



Troubleshooting

Model	Phenomenon	Actions
Mytec 01 Loop	<ul style="list-style-type: none"> When the screen does not stop at the desired height, and rolls down. 	<ul style="list-style-type: none"> Adjust the operating force by repeatedly carrying out the procedure described in "Lighter roll up" under <Mytec 01 Loop> on P.12.
	<ul style="list-style-type: none"> When the screen does not stop at the desired height, and rolls up. 	<ul style="list-style-type: none"> Adjust the operating force by repeatedly carrying out the procedure described in "Heavier roll up" under <Mytec 01 Loop> on P.12.
	<ul style="list-style-type: none"> When Ball Chain is pulled, it does not operate smoothly with an unusual noise, or does not operate at all. 	<ul style="list-style-type: none"> It is likely that the position of Ball Chain Cover is incorrect. Carry out the procedure set out on P.7 or P.8.
Mytec 01	<ul style="list-style-type: none"> When the screen does not roll up, or when the roll-up speed is very low. 	<ul style="list-style-type: none"> Repeatedly carry out the adjustment procedure described in "Faster roll up" under <Mytec 01> on P.13.
Common	<ul style="list-style-type: none"> When the screen does not descend 	<ul style="list-style-type: none"> It is likely that this is because the dial of Side Holder is not fully in the "CLOSE" condition. Turn the dial in the "CLOSE" direction until it stops completely.



Caution

- Do not disassemble or modify the mechanism inside Roller Pipe.

Cleaning

- For regular care, dust with a feather duster or a hand mop.
- To avoid discoloration, avoid cleaning the screen with water or using it in a location susceptible to splashing water.