

Motorized Wooden Blind

# Venewood AT



This product is originally designed for the Japanese market.  
For more details, please contact our local agent.

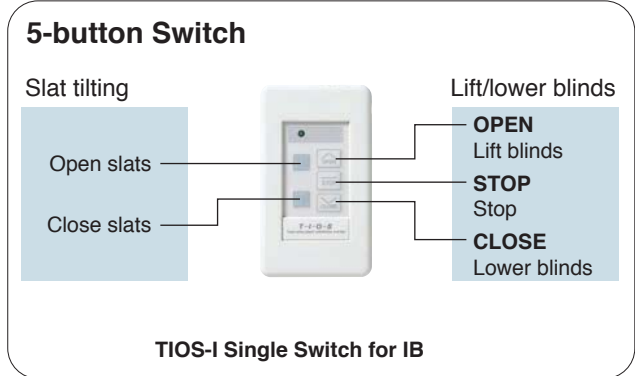
# Venewood AT

## Venewood AT's Unique Features

### Motorized wooden blinds

#### Two separate motors for lift/lowering and tilting operations.

Two motors allow you to control lift/lowering and tilting operations separately. With the five-button switch, a meticulous slat control is possible (see the right). A synchronous motor for a tilting operation enables two or more blinds to keep the same slat degree.



#### A Wide Variety of Slats and Ladder Tapes

12 colors of 50 mm (2.0") Slats and 15 colors of Ladder Tapes are available.

#### Bigger than ever

Up to 2400 mm (94") in width, 2960 mm (117") in height and 6 m<sup>2</sup> (7.2 yd<sup>2</sup>) in area.

#### Exceptionally quiet

A smooth and quiet operation without grating noise.

#### No troublesome wiring

Designed to select simultaneous and select operations without using any optional parts.

#### Easy height adjustment

Its easy height adjustment function allows you to set the same bottom position of two or more blinds.

#### Automatic safety stop

The blind stops automatically when the bottom rail touches an obstruction.

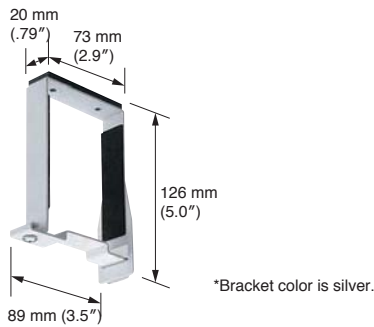
### Dimensions and Color Options

Product Name	Venewood AT 50 T Ladder Tape Type	Venewood AT 50 Ladder Cord Type
Slat Width	50 mm (2.0")	
Product Width	1000–2400 mm (39–94")	
Product Height	500–2960 mm (20–117")	
Maximum Area	6 m <sup>2</sup> (7.2 yd <sup>2</sup> ) or less	

### Number of Bracket

Product Width	1000–1200 mm (39–47")	1210–1600 mm (48–63")	1610–2300 mm (63–91")	2310–2400 mm (91–94")
Number	2	3	4	5

### Bracket



### Stack-up Height

Venewood AT 50 T Ladder Tape Type	Venewood AT 50 Ladder Cord Type
$H \times 0.1 + 127 \text{ mm (5.0")}$	$H \times 0.09 + 127 \text{ mm (5.0")}$

### Product Weight

W 2000 mm (79") × H 2000 mm (79"): 17 kg (37.5 lb)  
 W 2000 mm (79") × H 3000 mm (118"): 19 kg (42 lb)

### Motor Specifications

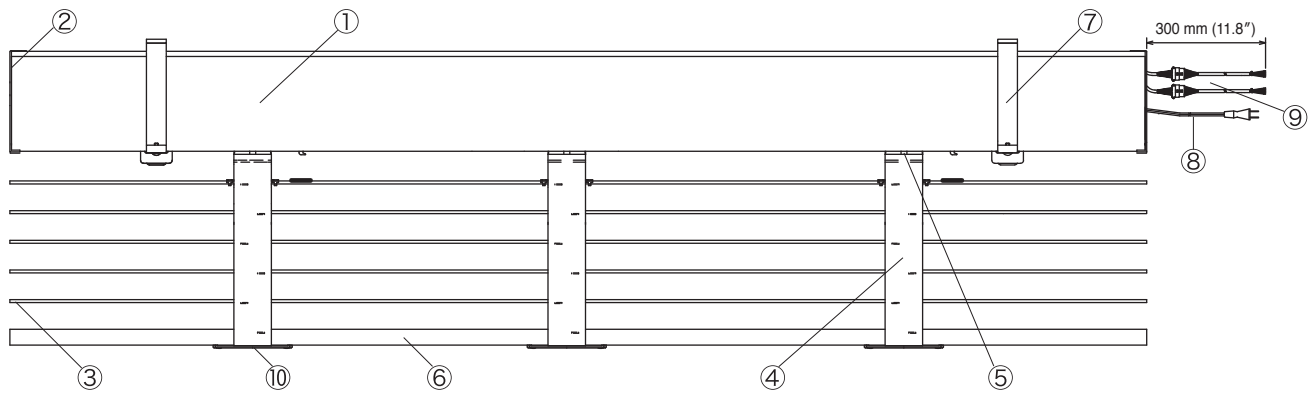
Power Source Voltage	V	AC 100	
Frequency	Hz	50	60
Power Consumption	Operation	W	
	Standby	W	
Operating Voltage	V	DC 12	
Operating Consumption	mA	40 or less	
Operating Temperature Range	°C	0–50 (without condensation)	
Rated Time	min.	Continuous (Opening/closing) 5 (Lifting/lowering)	
Average Operating Time	sec/m	29	

Note: AC 100 V only.



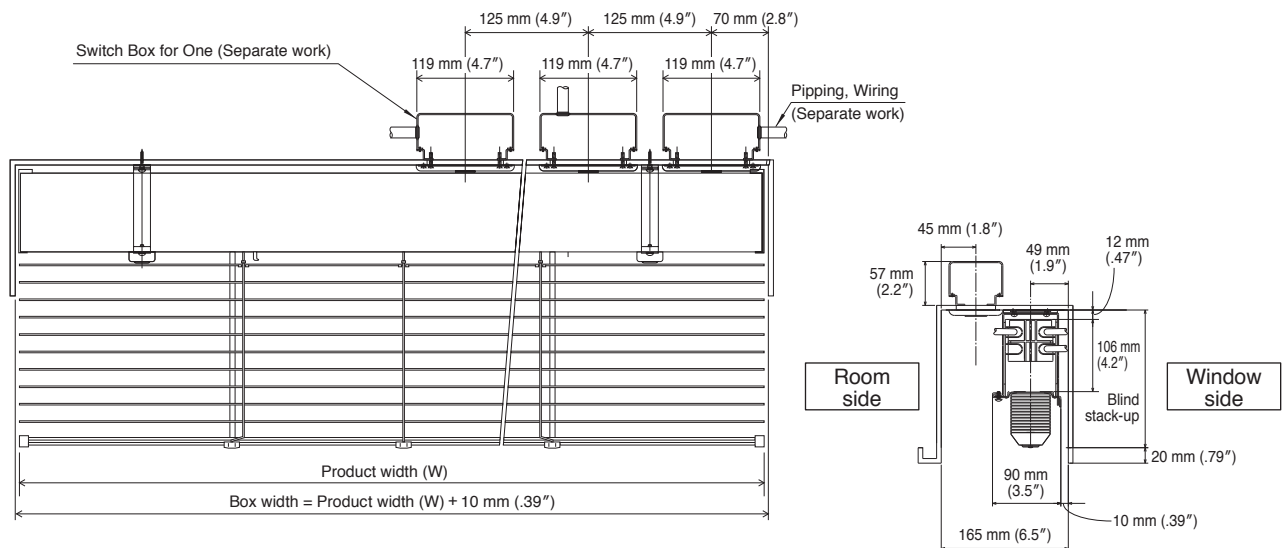
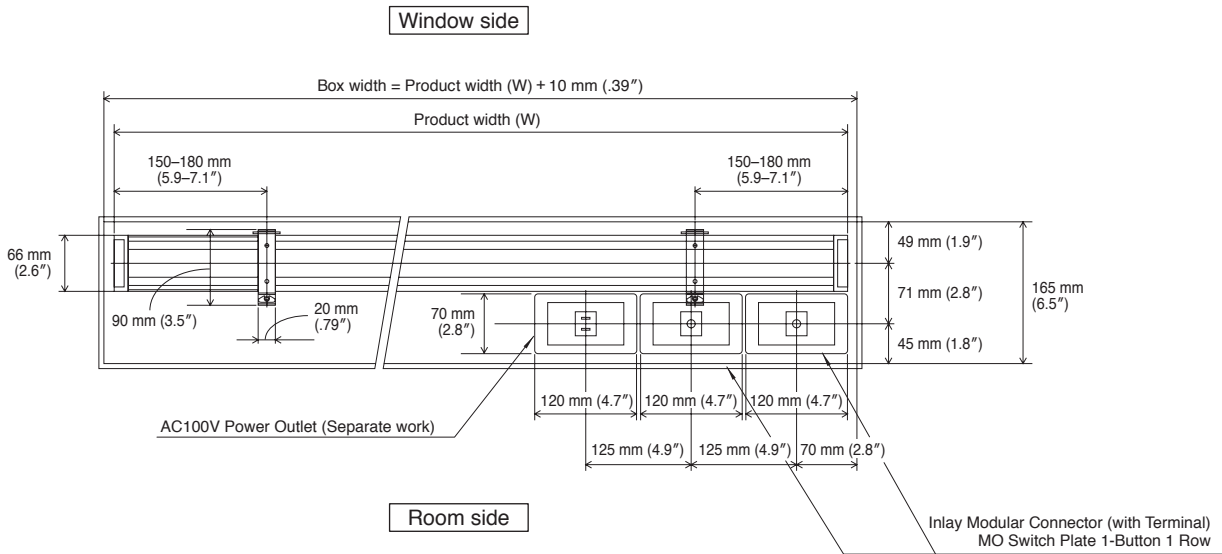
# Venewood AT

## Structure Drawing



No.	Product Name	Materials/Specifications	Color
①	Head Rail	Aluminum	Silver
②	Side Cover	Molded resin	Silver, Gray White
③	Slat	Basswood	—
④	Ladder Cord, Ladder Tape	Chemical fiber	—
⑤	Lift Tape	Chemical fiber	White
⑥	Bottom Rail	Basswood	—
⑦	Bracket	Steel	Silver
⑧	Power Supply	VCTF 0.75 <sup>□</sup> × 2C (1 m/39")	White
⑨	Connecting Cord	AWG 24 × 6C (0.3 m/12")	White
⑩	Bottom Cover	Zinc die-casting	—

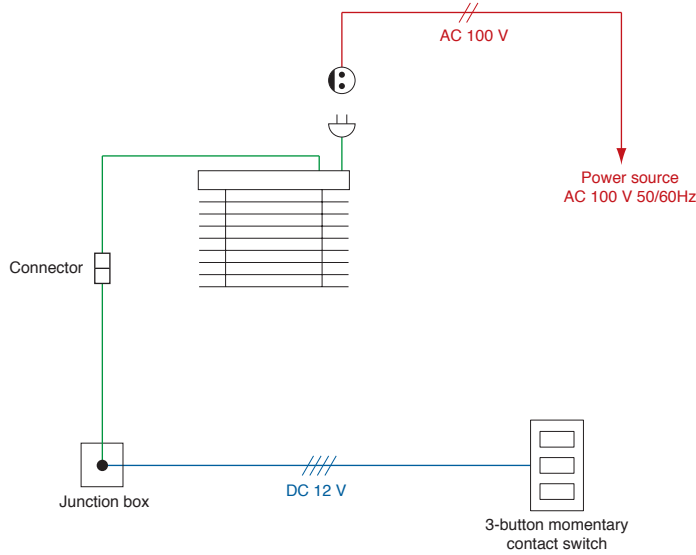
Installation Dimensions and Diagram



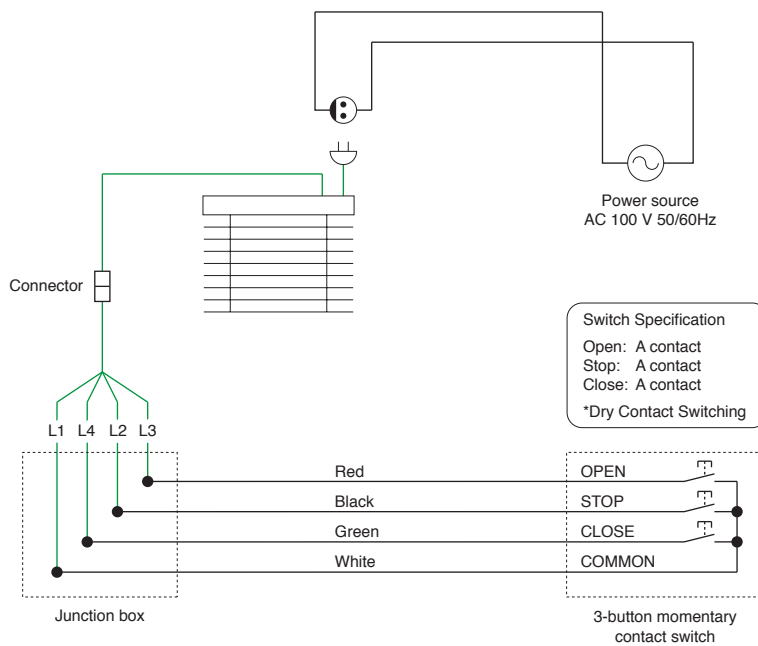
## Basic Wiring and Connecting Diagram

### Single Operation (3-Button)

#### Basic Wiring Diagram



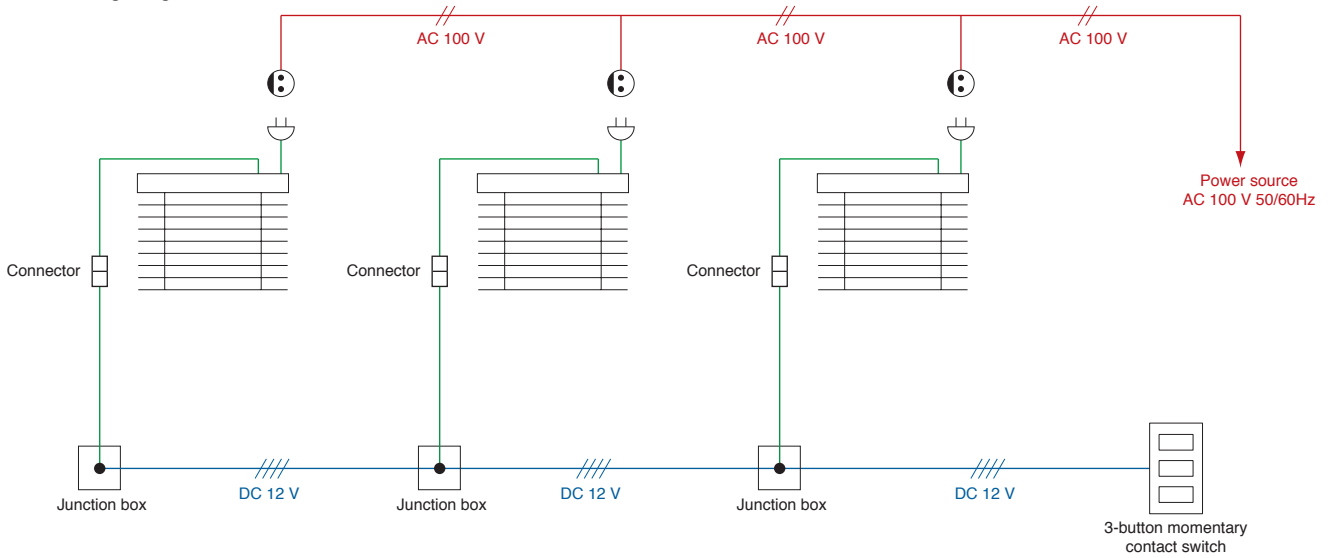
#### Basic Connecting Diagram



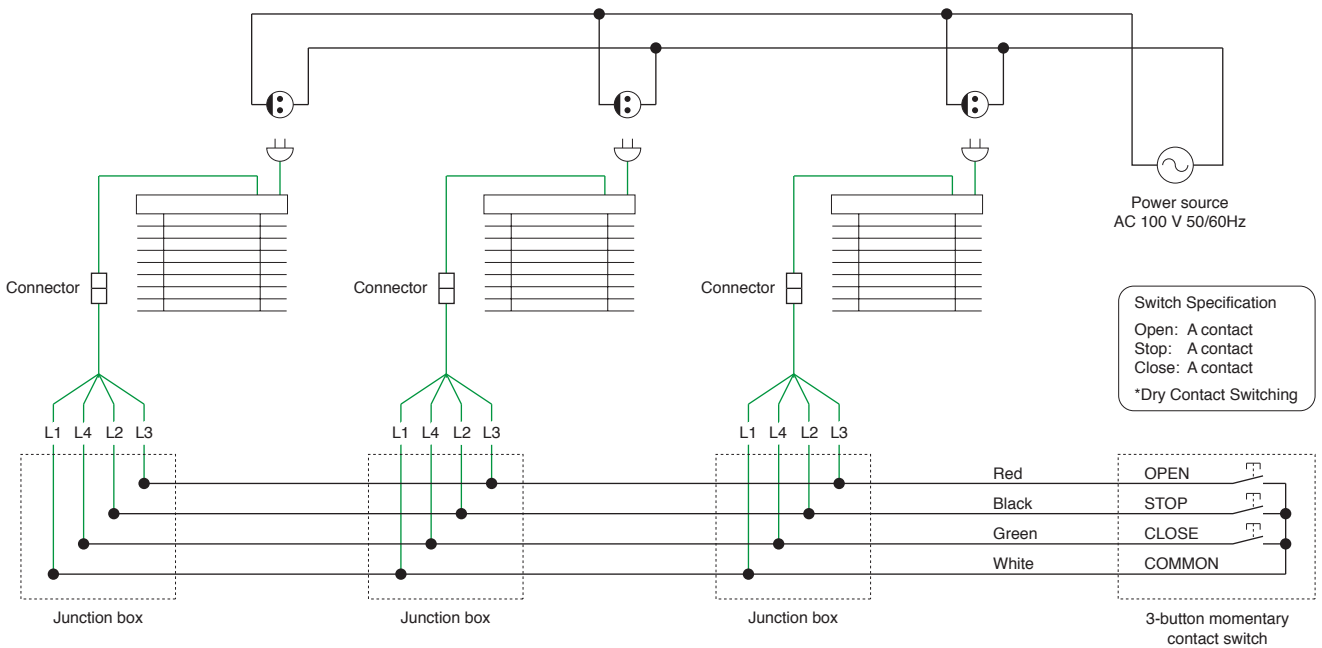
Explanatory notes: — Power supply, — Low voltage control line, — Main body attachment or TOSO standard

Simultaneous Operation (3-Button)

Basic Wiring Diagram



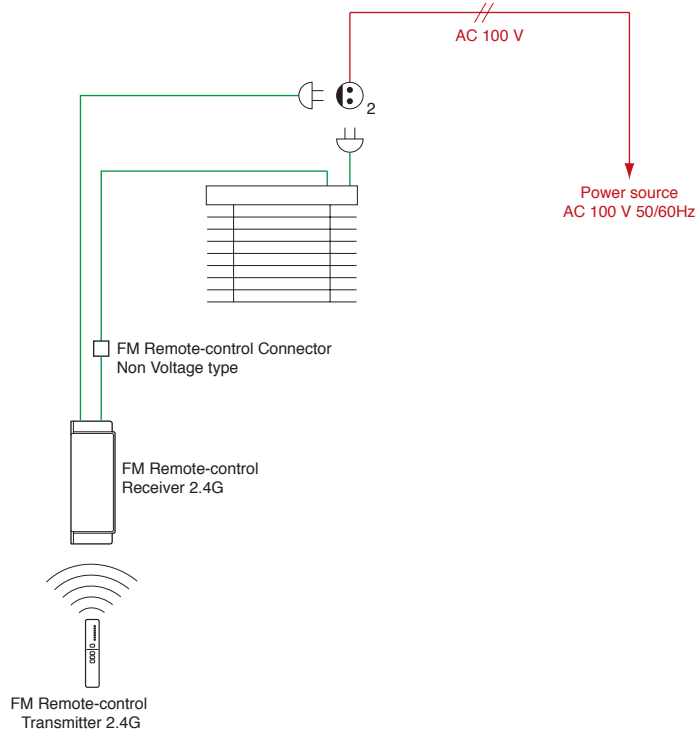
Basic Connecting Diagram



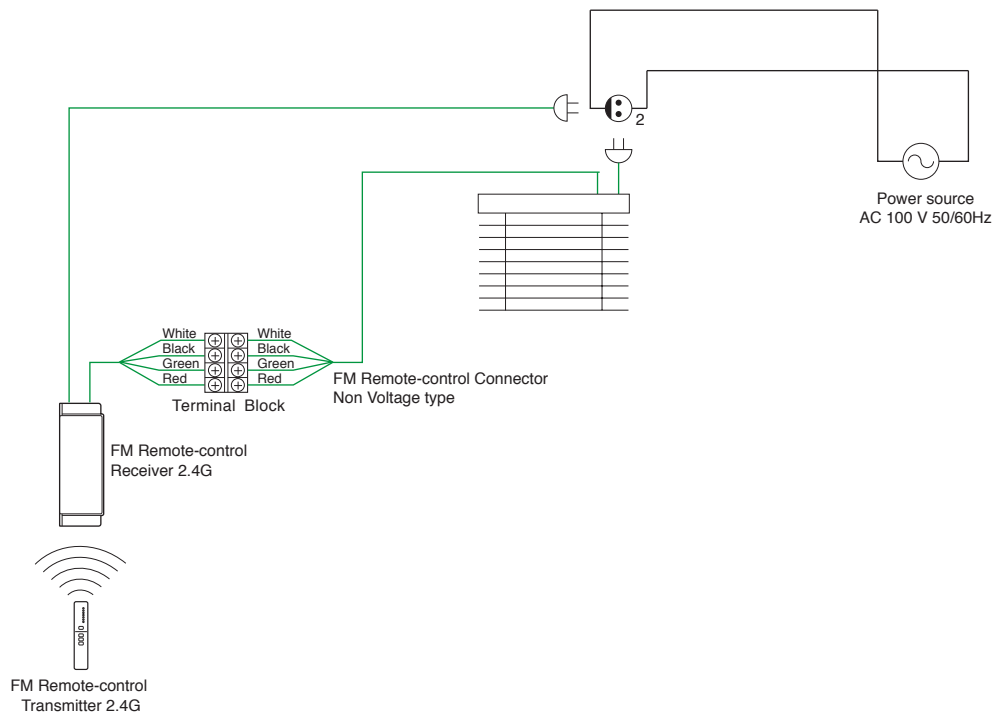
Explanatory notes: — Power supply, — Low voltage control line, — Main body attachment or TOSO standard

## FM Remote-Control Receiver 2.4G

### Basic Wiring Diagram



### Basic Connecting Diagram

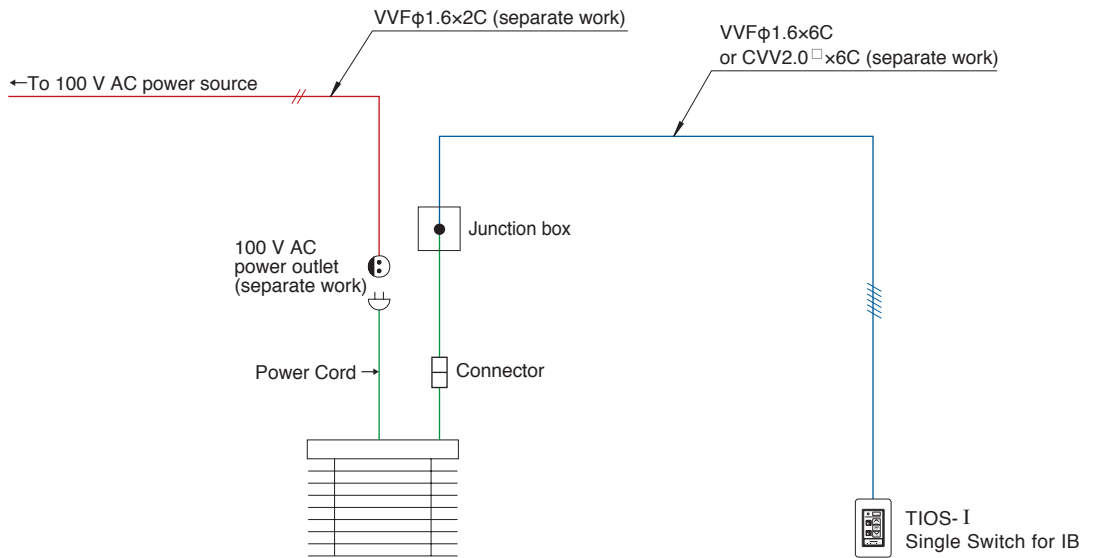


Explanatory notes: — Power supply, — Main body attachment or TOSO standard

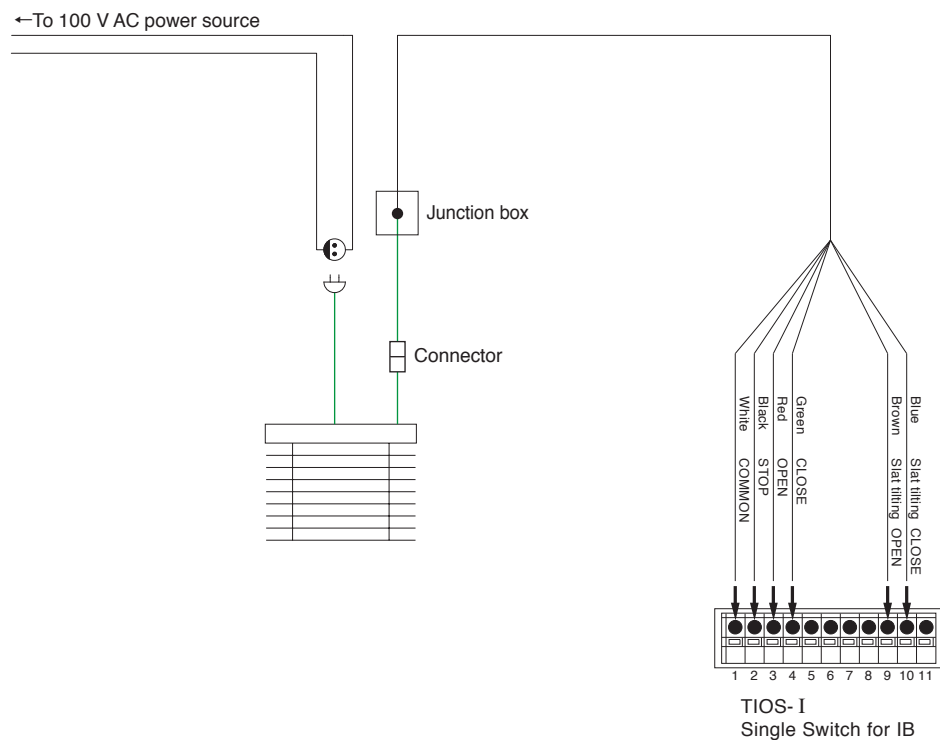


Single Operation (5-Button)

Basic Wiring Diagram  
(5-Button)



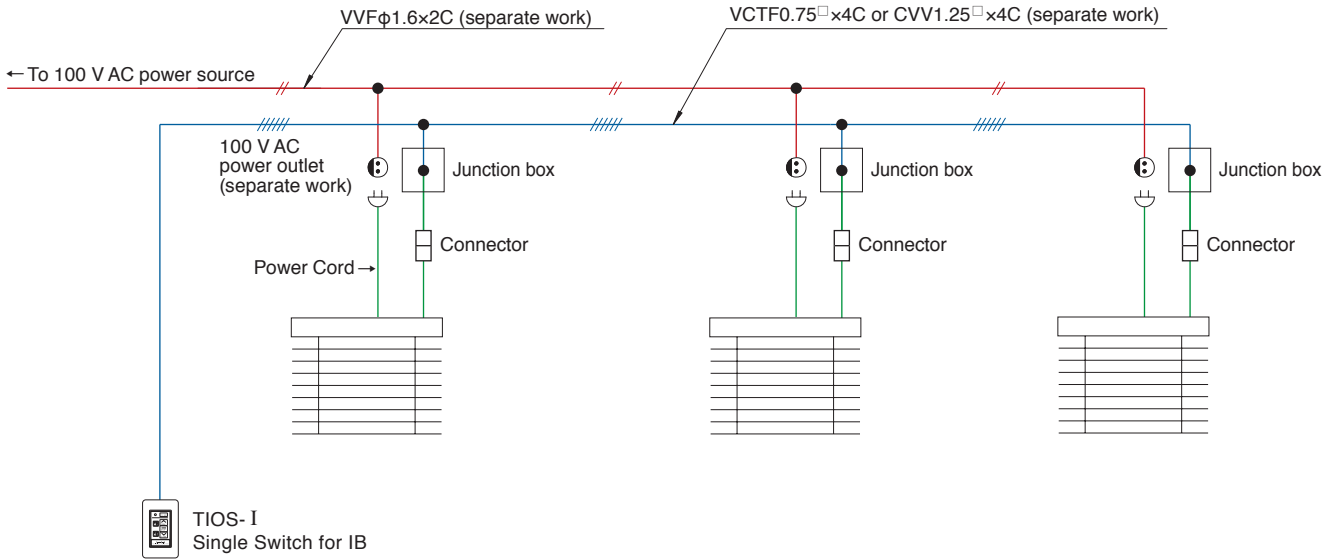
Basic Connecting Diagram  
(5-Button)



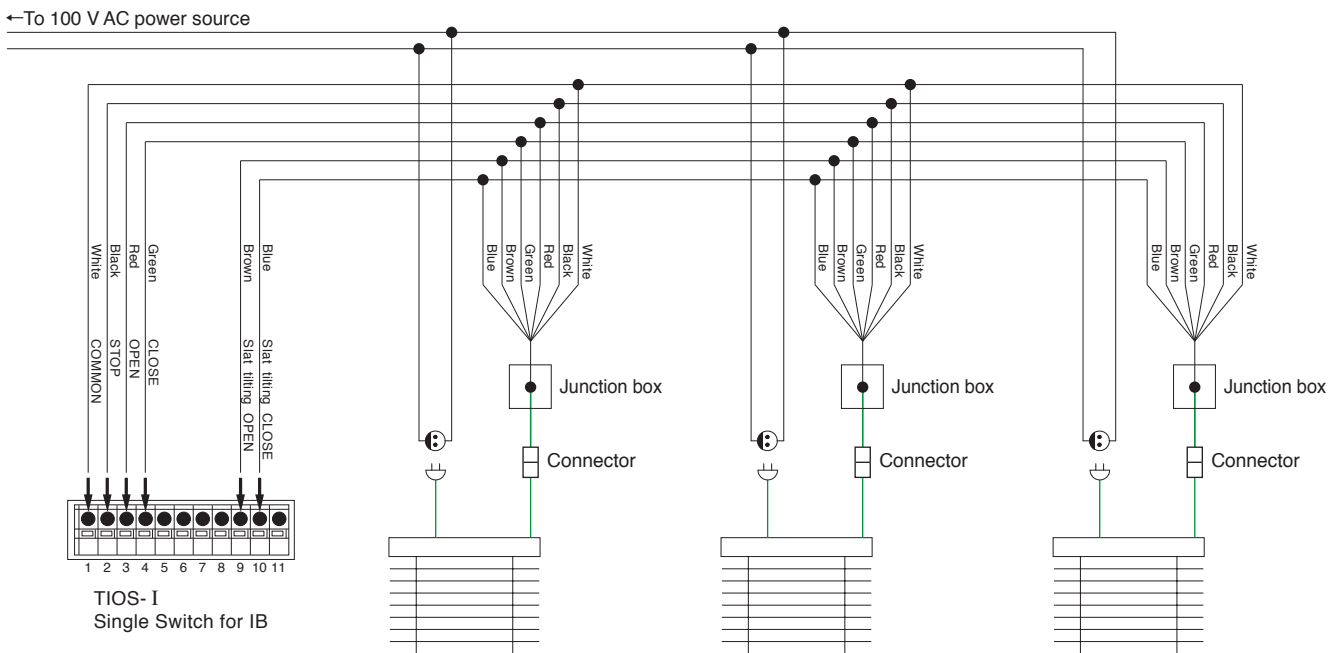
Explanatory notes: — Power supply, — Low voltage control line, — Main body attachment or TOSO standard

## Simultaneous Operation (5-Button)

Basic Wiring Diagram  
(5-Button)



Basic Connecting Diagram  
(5-Button)



Explanatory notes: — Power supply, — Low voltage control line, — Main body attachment or TOSO standard

Wood Slat Color List

Slat width: 50 mm (2.0")



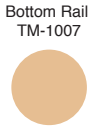
1 TM-1001 Off White



2 TM-1002 Shabby White



3 TM-1003 Grayish Mocha



4 TM-1004 Antique White



5 TM-1005 Dark Brown



6 TM-1006 Deep Brown



7 TM-1007 Natural



8 TM-1008 Cherry



9 TM-1009 Grayish Brown



10 TM-1010 Soft Brown



11 TM-1011 Antique Brown



12 TM-1012 Bitter Brown



Ladder Tape List

Ladder Tape width: 25 mm (.98")



L-001



L-002



L-004



L-005



L-007



L-008



L-009



L-010



L-011



L-012



L-013



L-014



L-015



L-016



L-017