

Motorized Wooden Blind

Venewood AT



This product is originally designed for the Japanese market.
For more details, please contact our local agent.

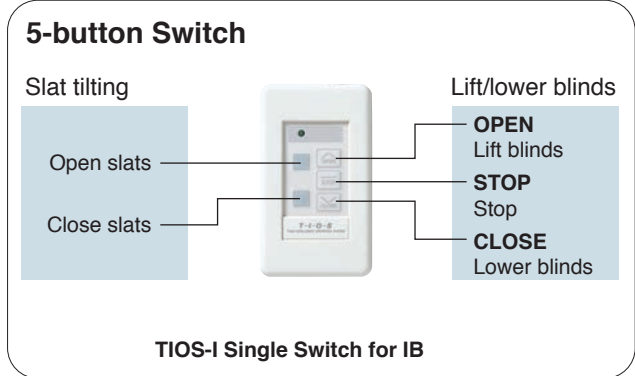
Venewood AT

Venewood AT's Unique Features

Motorized wooden blinds

Two separate motors for lift/lowering and tilting operations.

Two motors allow you to control lift/lowering and tilting operations separately. With the five-button switch, a meticulous slat control is possible (see the right). A synchronous motor for a tilting operation enables two or more blinds to keep the same slat degree.



A Wide Variety of Slats and Ladder Tapes

12 colors of 50 mm (2.0") Slats and 15 colors of Ladder Tapes are available.

Bigger than ever

Up to 2400 mm (94") in width, 2960 mm (117") in height and 6 m² (7.2 yd²) in area.

Exceptionally quiet

A smooth and quiet operation without grating noise.

No troublesome wiring

Designed to select simultaneous and select operations without using any optional parts.

Easy height adjustment

Its easy height adjustment function allows you to set the same bottom position of two or more blinds.

Automatic safety stop

The blind stops automatically when the bottom rail touches an obstruction.

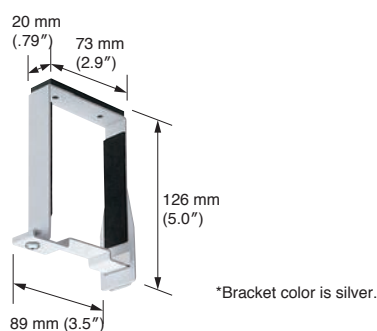
Dimensions and Color Options

Product Name	Venewood AT 50 T Ladder Tape Type	Venewood AT 50 Ladder Cord Type
Slat Width	50 mm (2.0")	
Product Width	1000–2400 mm (39–94")	
Product Height	500–2960 mm (20–117")	
Maximum Area	6 m ² (7.2 yd ²) or less	

Number of Bracket

Product Width	1000–1200 mm (39–47")	1210–1600 mm (48–63")	1610–2300 mm (63–91")	2310–2400 mm (91–94")
Number	2	3	4	5

Bracket



Stack-up Height

Venewood AT 50 T Ladder Tape Type	Venewood AT 50 Ladder Cord Type
$H \times 0.1 + 127 \text{ mm (5.0")}$	$H \times 0.09 + 127 \text{ mm (5.0")}$

Product Weight

W 2000 mm (79") × H 2000 mm (79"): 17 kg (37.5 lb)
 W 2000 mm (79") × H 3000 mm (118"): 19 kg (42 lb)

Motor Specifications

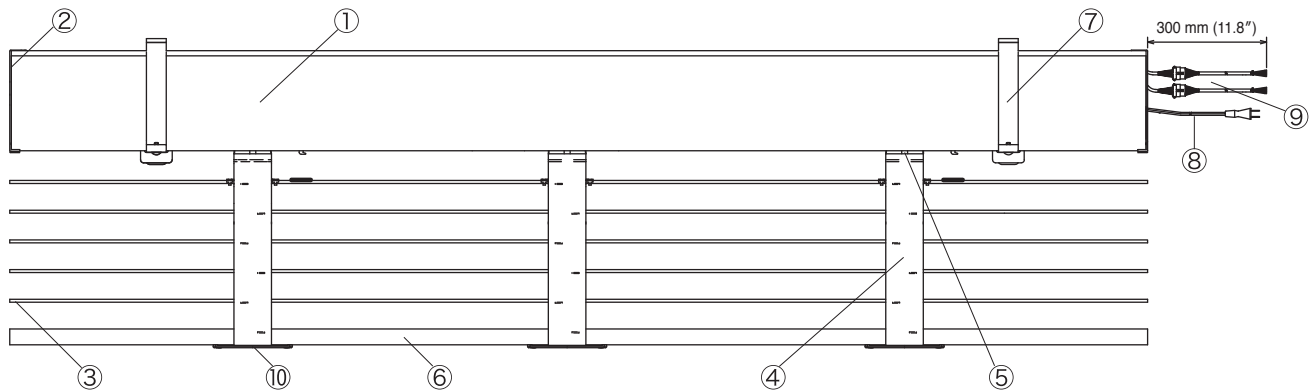
Power Source Voltage	V	AC 100	
Frequency	Hz	50	60
Power Consumption	Operation	W	
	Standby	W	
Operating Voltage	V	DC 12	
Operating Consumption	mA	40 or less	
Operating Temperature Range	°C	0–50 (without condensation)	
Rated Time	min.	Continuous (Opening/closing) 5 (Lifting/lowering)	
Average Operating Time	sec/m	29	

Note: AC 100 V only.



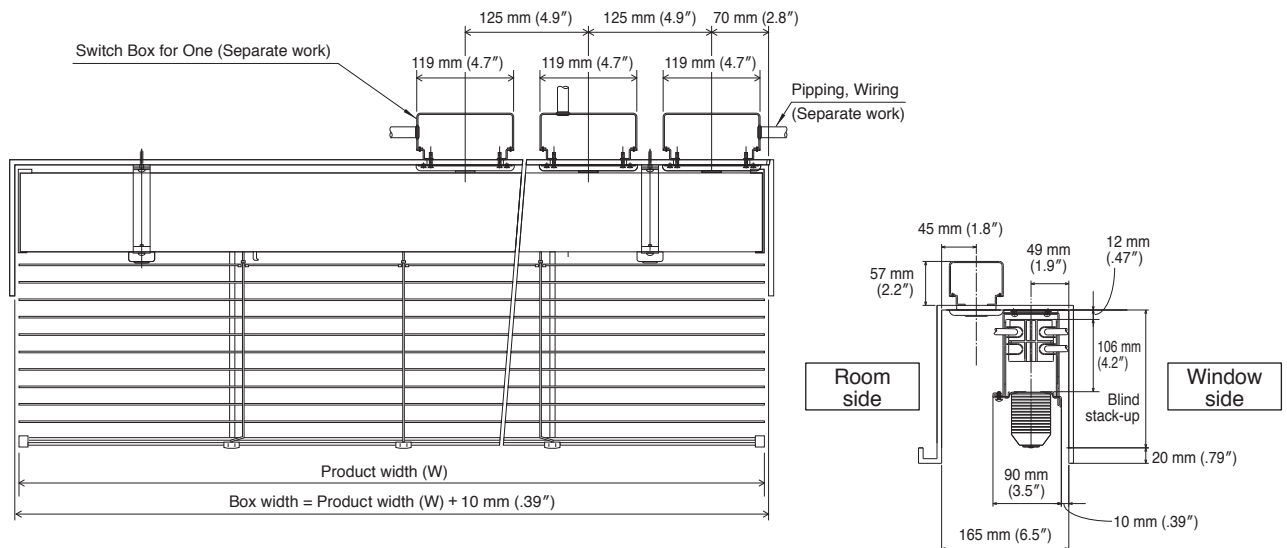
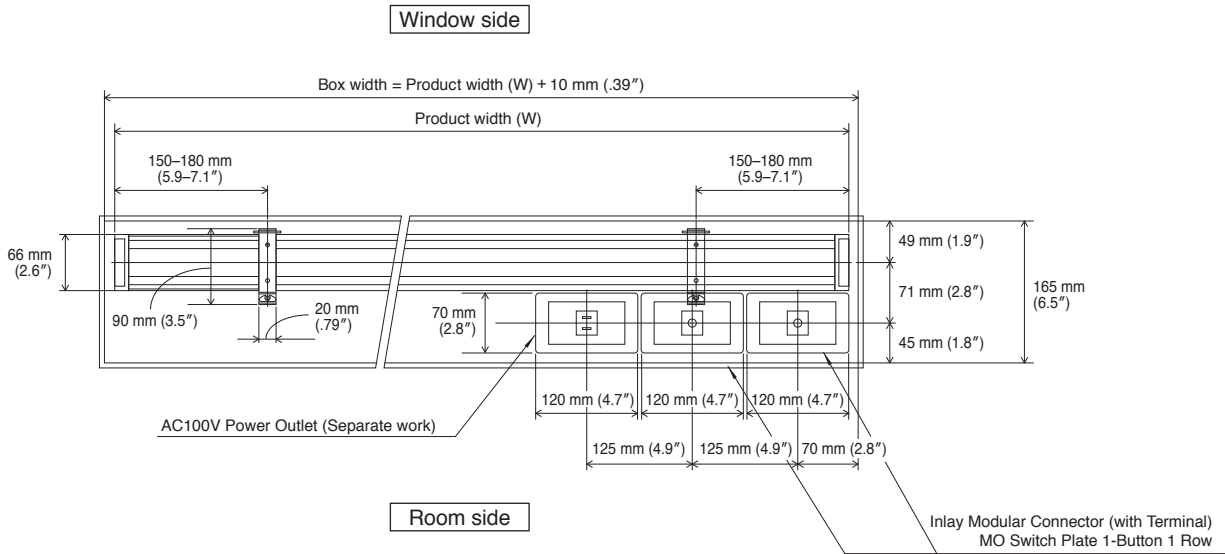
Venewood AT

Structure Drawing



No.	Product Name	Materials/Specifications	Color
①	Head Rail	Aluminum	Silver
②	Side Cover	Molded resin	Silver, Gray White
③	Slat	Basswood	—
④	Ladder Cord, Ladder Tape	Chemical fiber	—
⑤	Lift Tape	Chemical fiber	White
⑥	Bottom Rail	Basswood	—
⑦	Bracket	Steel	Silver
⑧	Power Supply	VCTF 0.75 [□] × 2C (1 m/39")	White
⑨	Connecting Cord	AWG 24 × 6C (0.3 m/12")	White
⑩	Bottom Cover	Zinc die-casting	—

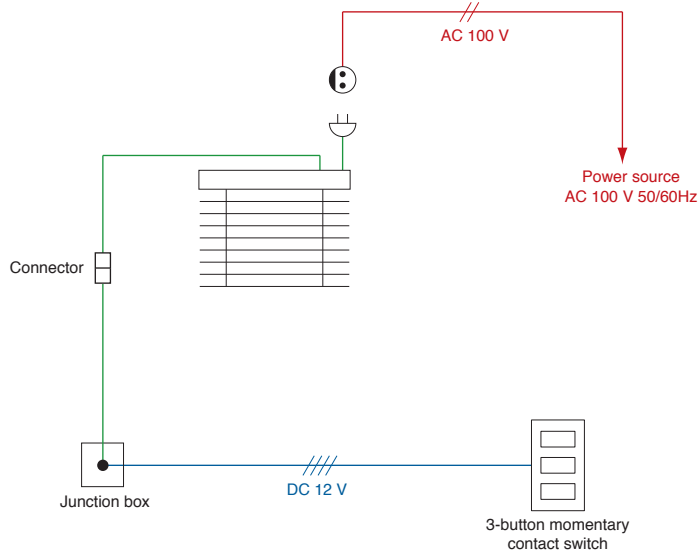
Installation Dimensions and Diagram



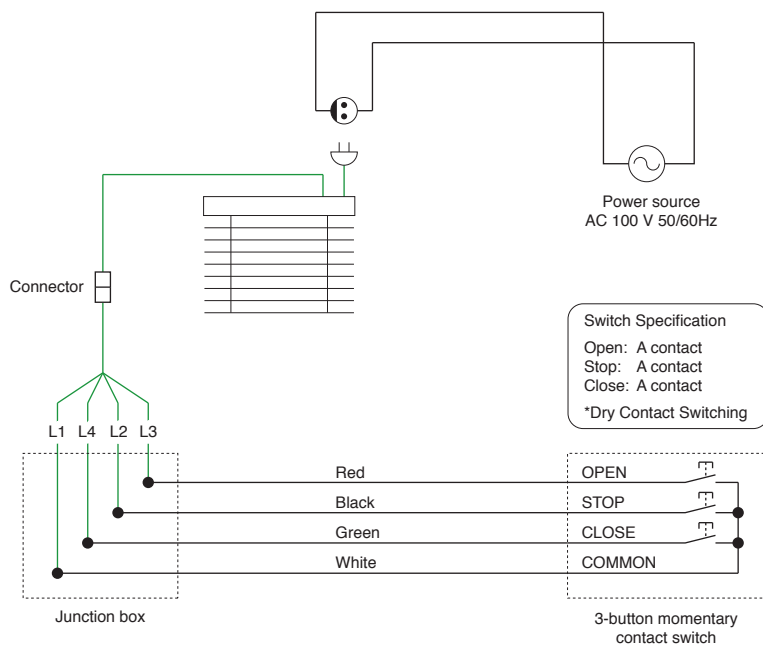
Basic Wiring and Connecting Diagram

Single Operation (3-Button)

Basic Wiring Diagram



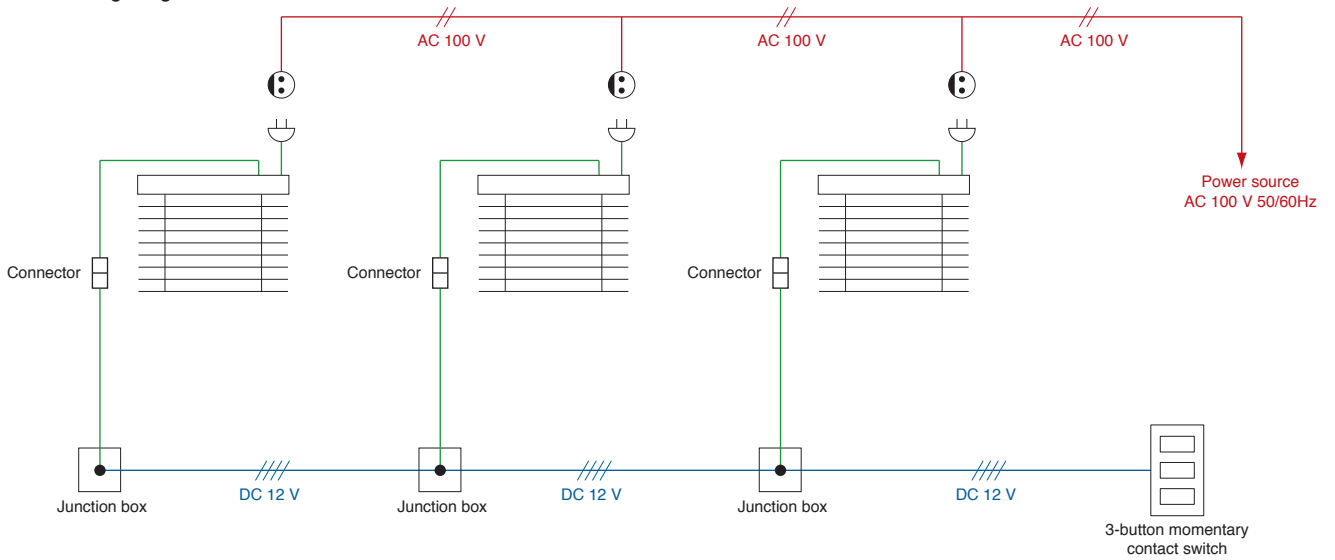
Basic Connecting Diagram



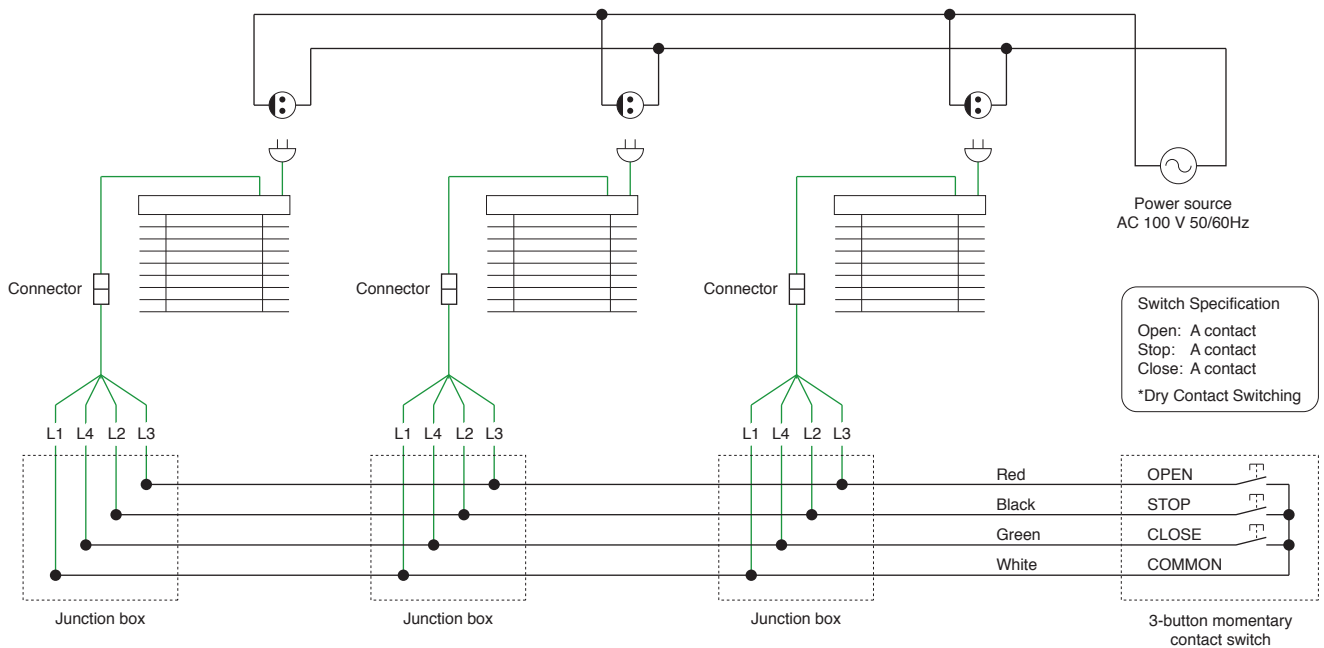
Explanatory notes: — Power supply, — Low voltage control line, — Main body attachment or TOSO standard

Simultaneous Operation (3-Button)

Basic Wiring Diagram



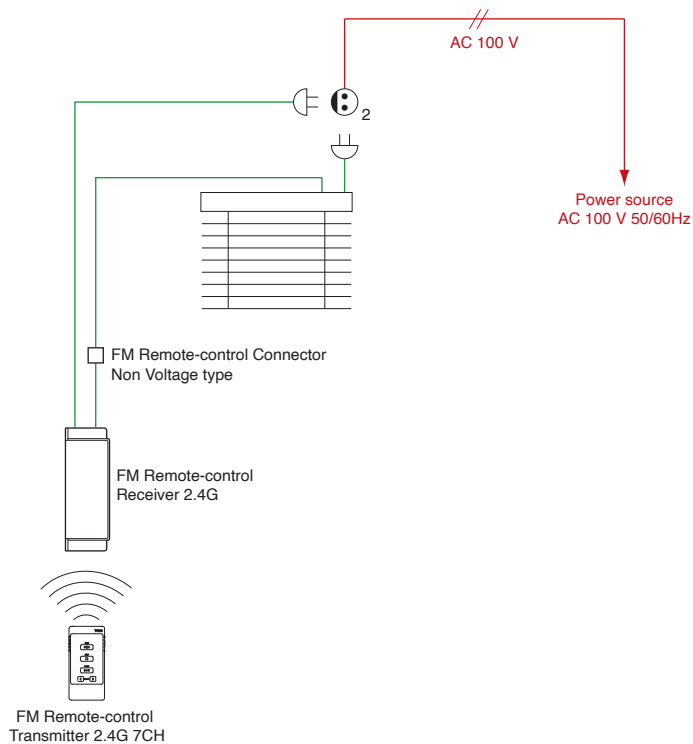
Basic Connecting Diagram



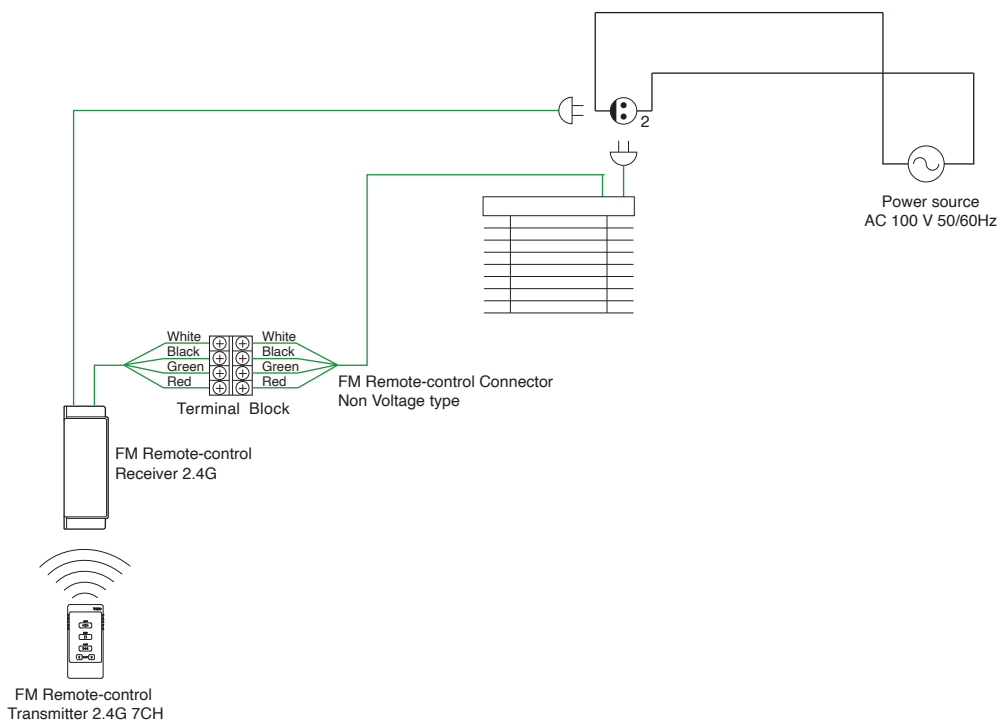
Explanatory notes: — Power supply, — Low voltage control line, — Main body attachment or TOSO standard

FM Remote-Control Receiver 2.4G

Basic Wiring Diagram



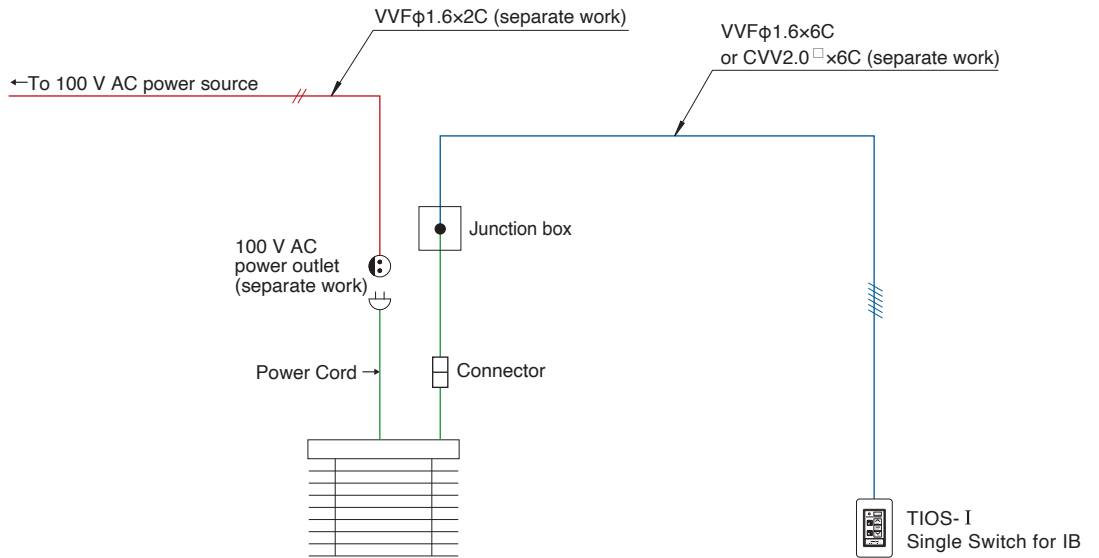
Basic Connecting Diagram



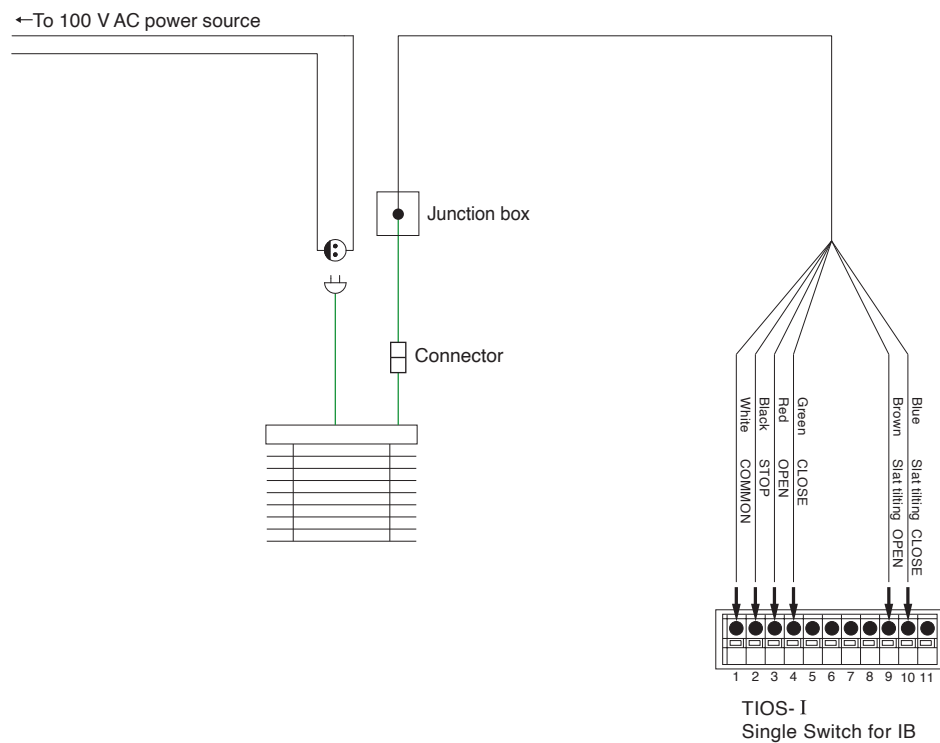
Explanatory notes: — Power supply, — Main body attachment or TOSO standard

Single Operation (5-Button)

Basic Wiring Diagram
(5-Button)



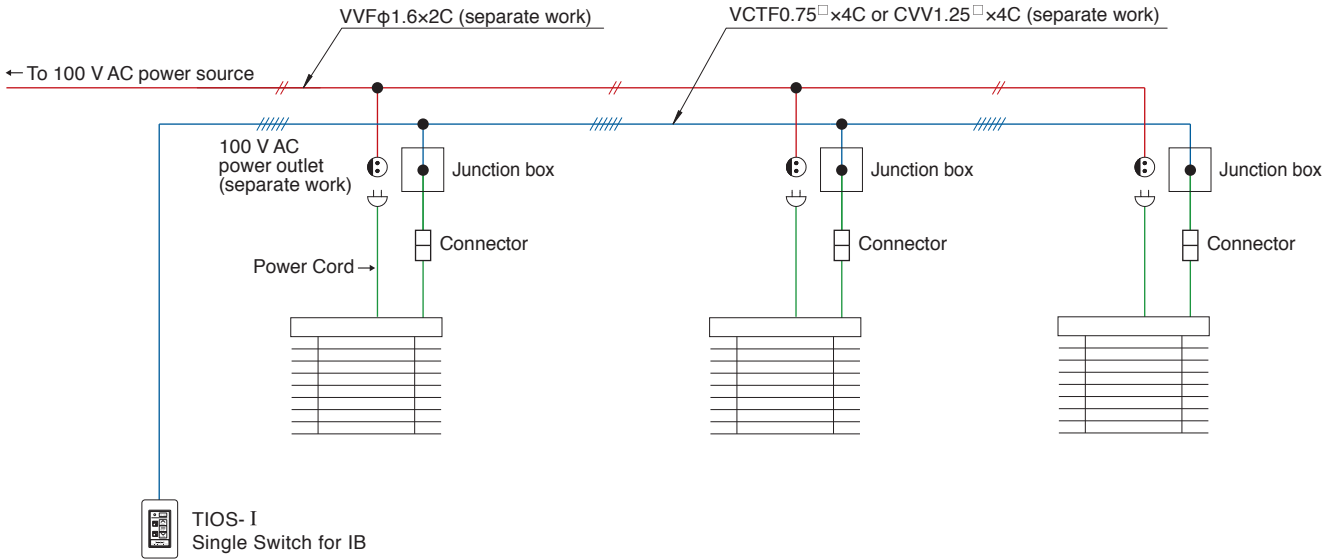
Basic Connecting Diagram
(5-Button)



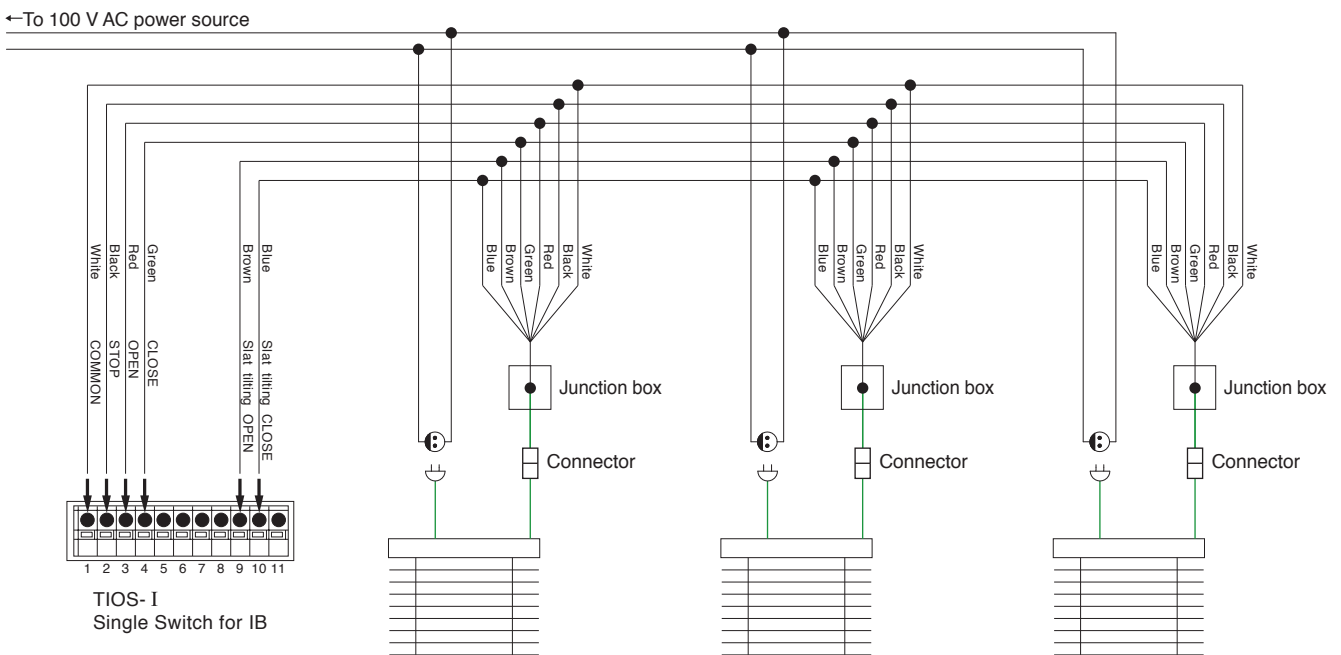
Explanatory notes: — Power supply, — Low voltage control line, — Main body attachment or TOSO standard

Simultaneous Operation (5-Button)

Basic Wiring Diagram
(5-Button)



Basic Connecting Diagram
(5-Button)



Explanatory notes: — Power supply, — Low voltage control line, — Main body attachment or TOSO standard

Wood Slat Color List

Slat width: 50 mm (2.0")



1 TM-1001 Off White

Bottom Rail
TM-1001



2 TM-1002 Shabby White

Bottom Rail
TM-1001



3 TM-1003 Grayish Mocha

Bottom Rail
TM-1007



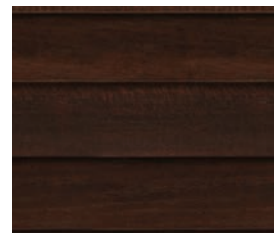
4 TM-1004 Antique White

Bottom Rail
TM-1004



5 TM-1005 Dark Brown

Bottom Rail
TM-1005



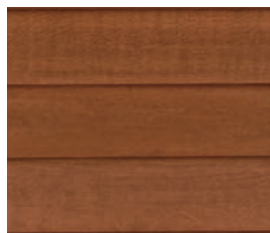
6 TM-1006 Deep Brown

Bottom Rail
TM-1006



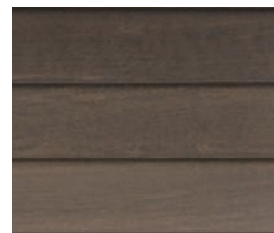
7 TM-1007 Natural

Bottom Rail
TM-1007



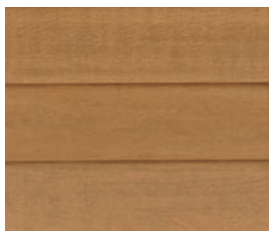
8 TM-1008 Cherry

Bottom Rail
TM-1008



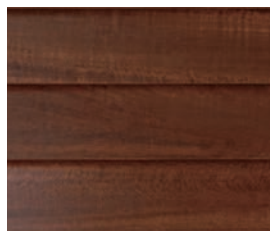
9 TM-1009 Grayish Brown

Bottom Rail
TM-1009



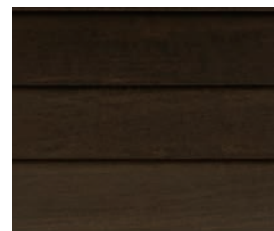
10 TM-1010 Soft Brown

Bottom Rail
TM-1010



11 TM-1011 Antique Brown

Bottom Rail
TM-1011



12 TM-1012 Bitter Brown

Bottom Rail
TM-1012



Ladder Tape List

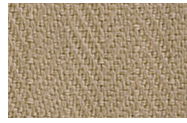
Ladder Tape width: 25 mm (.98")



L-001



L-002



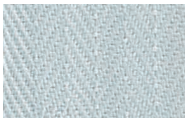
L-004



L-005



L-007



L-008



L-009



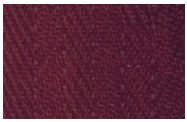
L-010



L-011



L-012



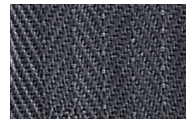
L-013



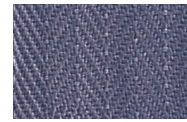
L-014



L-015



L-016



L-017