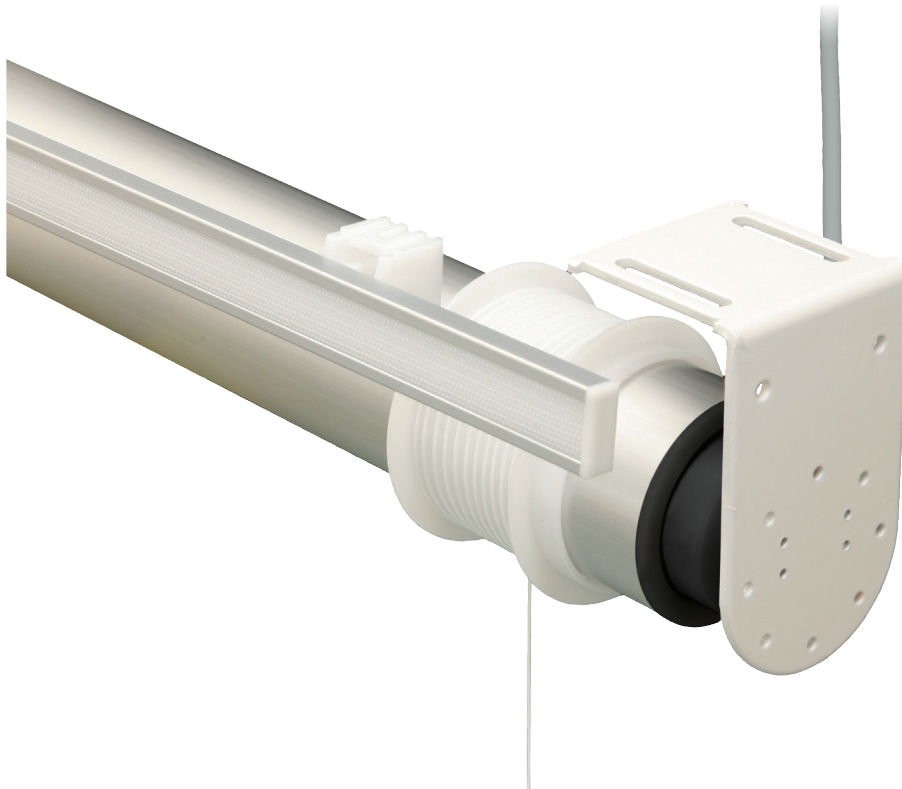


Motorized Roman Shade

ATF45-RS

Mar. 2021
RENEWAL



- Perfect fit for large and high windows.
- 4,000 mm (158") wide is possible with Intermediate Bracket.
- Switch operation type and FM remote type are available.

ATF45-RS

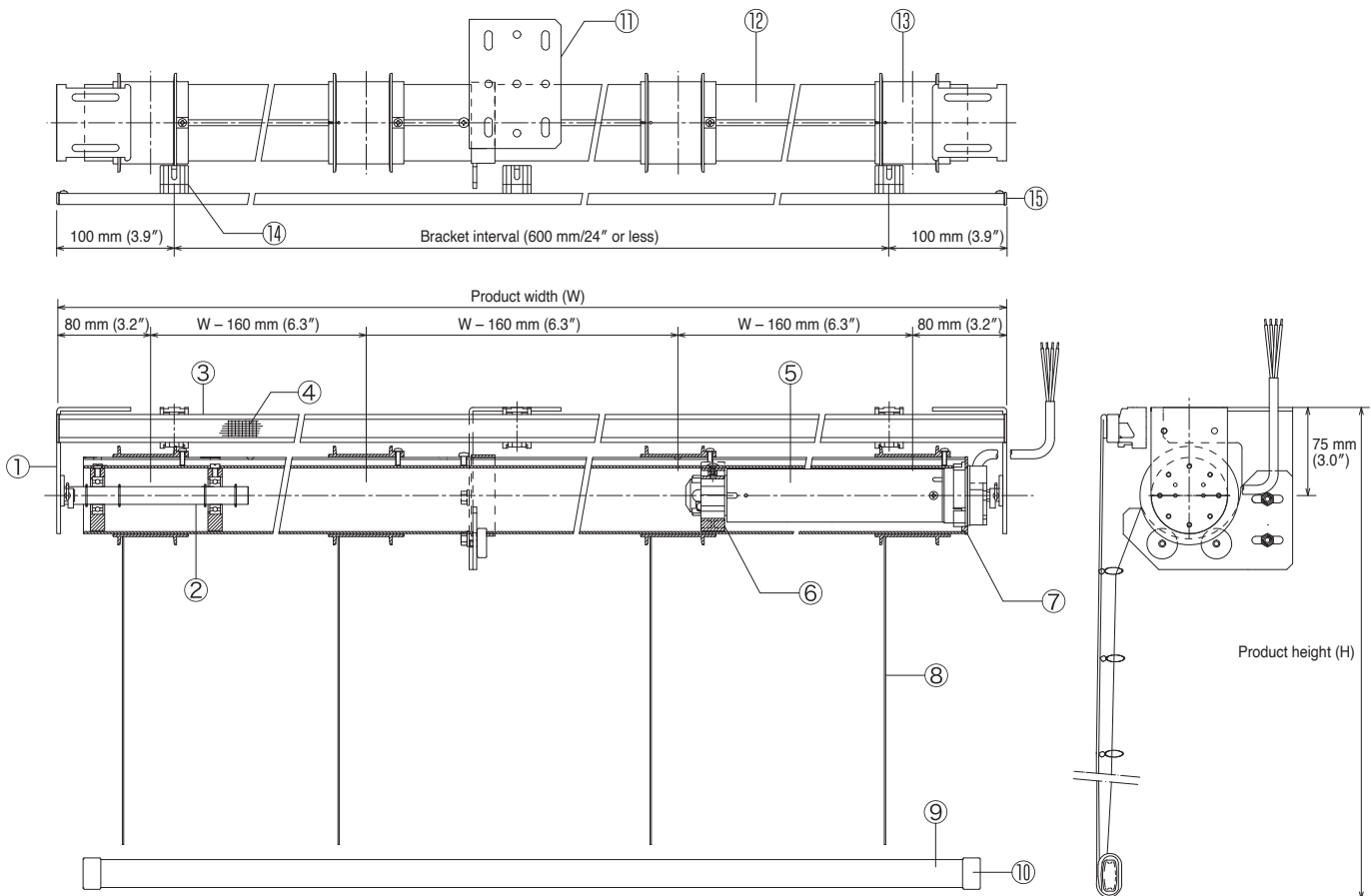
ATF45-RS's Unique Features

Quite operation less than 40 dB.

Fit for a large or high window: up to 4 m (158") in width or 4 m (158") in height.

Switch operation type and FM remote type (built-in FM Receiver) are available.

Structure Drawing



Components and Materials

No.	Components	Material
①	ATF45 Side Bracket	Steel
②	ATF45-N Pipe End N	Steel + Zinc die-cast
③	Freel Head Rail	Aluminum
④	RS Slide-in Velcro	Polypropylene
⑤	ATF45-03Q/03QRF Tubular Motor	—
⑥	ATF45-03 Drive	Polyacetal resin
⑦	ATF45-S Limit Crown	Polyacetal resin
⑧	Lift Cord Ø 1.2	Polyester fiber

No.	Components	Material
⑨	RS Weight Bar 25	Steel
⑩	RS Weight Bar Cap 25	Polyethylene resin
⑪*	ATF45-RS Intermediate Bracket	Steel + Polyacetal resin
⑫	ATF45 Roller Pipe Ø 60	Aluminum
⑬	ATF45-RS Recoiling Pulley	Polyacetal resin
⑭	Freel Bracket	Polyacetal resin
⑮	Freel Head Cap	Polyacetal resin

* When the product width is 2,510 mm (99") or more, this is attached.

Motor Specifications

Power Source Voltage	V	AC220-230
Frequency	Hz	50 / 60
Current	A	0.485
Power Consumption	W	115
Rated Torque	Nm	4
Rated RPM	rpm	23
Rated Running Time	min	4
Ambient Temperature	C	-10 to 40

*Since this is not synchronized motor, RPM is vary depending on fabric weight.

Allowable Size

Width	ATF45Q	900-4,000 mm (35-158")
	ATF45QRF	1,000-4,000 mm (39-158")
Height		600-4,000 mm (24-158")
Max Surface Area		16 m ² (19 yd ²)

Maximum Screen Weight

8.0 kg (18 lb)
(1.0 kg/2 lb or less per one Pulley)

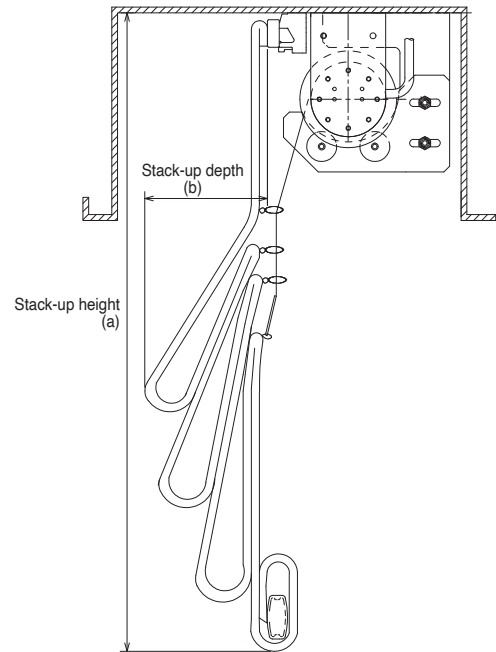
Product Weight

6.3 kg (14 lb)
(width: 2,000 mm/79" without screen)

Recommended Number of Lift Cords

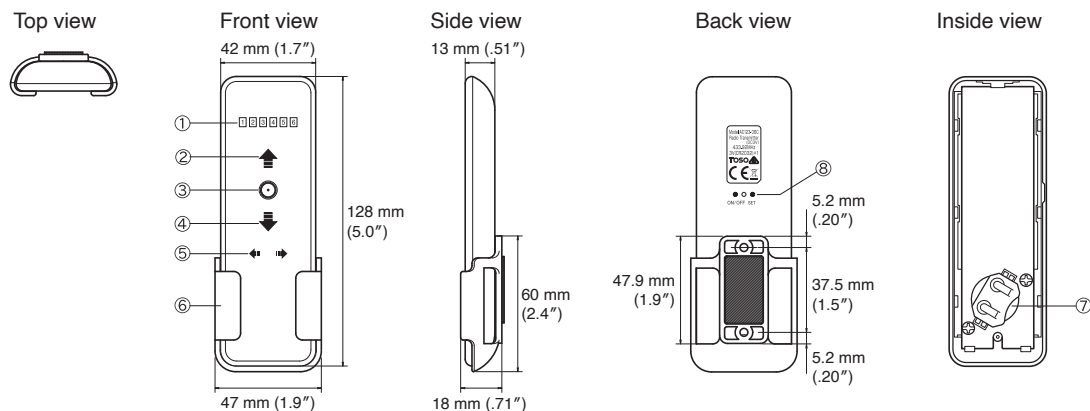
Product Width	Number of Lift Cords	Product Width	Number of Lift Cords
900-1,400 mm (36-55")	4	2,910-3,400 mm (115-133")	8
1,410-1,900 mm (56-74")	5	3,410-3,900 mm (134-153")	9
1,910-2,400 mm (75-94")	6	3,910-4,000 mm (154-158")	10
2,410-2,900 mm (95-114")	7		

Stack-up Guide



Style	Plain		Plain with Rods			Balloon
	-3,000 mm (118")	-4,000 mm (158")	-1,500 mm (59")	-3,000 mm (118")	-4,000 mm (158")	
Product Height	-3,000 mm (118")	-4,000 mm (158")	-1,500 mm (59")	-3,000 mm (118")	-4,000 mm (158")	-4,000 mm (158")
Recommended Ring Interval	200 mm (7.9")	300 mm (11.8")	120 mm (4.7")	150 mm (5.9")	300 mm (11.8")	150 mm (5.9")
Stack-up Height Dimension (a)	250 mm (9.8") + H/80 mm (3.2")	333 mm (13") + H/120 mm (4.7")	270 mm (11") + H/24 mm (.94")	300 mm (12") + H/30 mm (1.2")	480 mm (19") + H/60 mm (2.4")	650 mm (26") + H/60 mm (2.4")
Stack-up Depth Dimension (b)	80 mm (3.2")		100 mm (3.9")			200 mm (7.9")

FM Remote-Control Transmitter



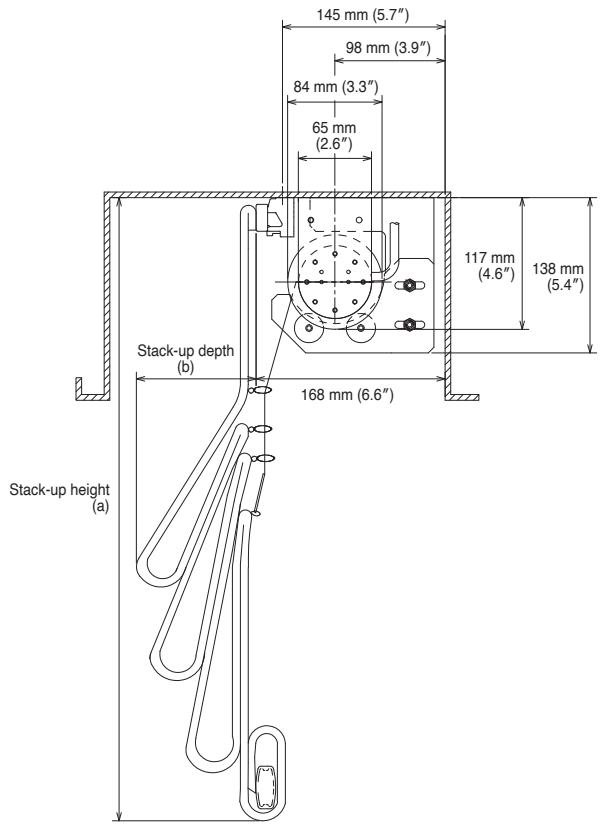
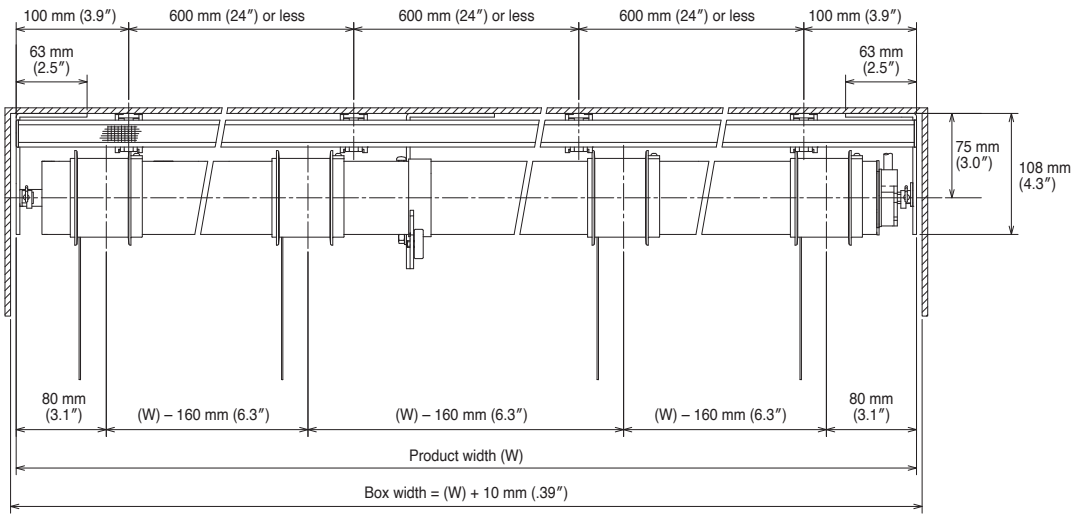
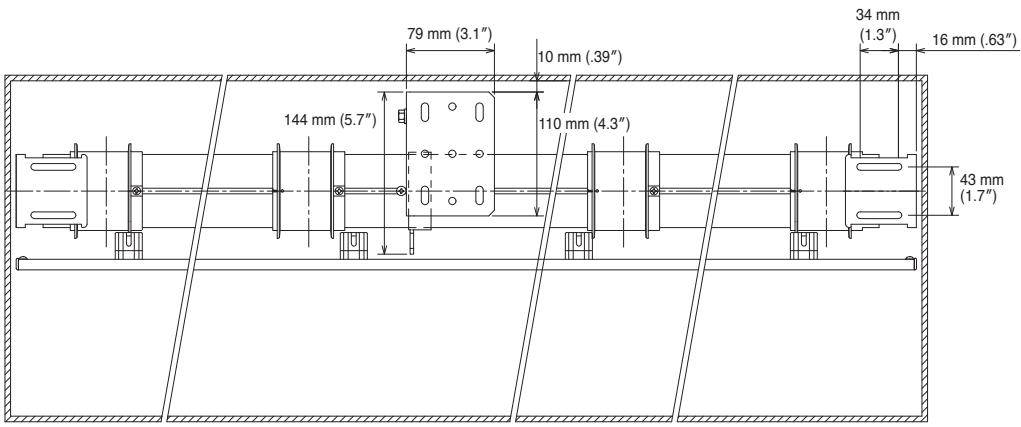
Parts Name

①	Address No. LED Indicator Lamp
②	Open Button
③	Stop Button
④	Close Button
⑤	Address No. Setting Button
⑥	Holder
⑦	Lithium Battery (CR2032)
⑧	ON/OFF Button

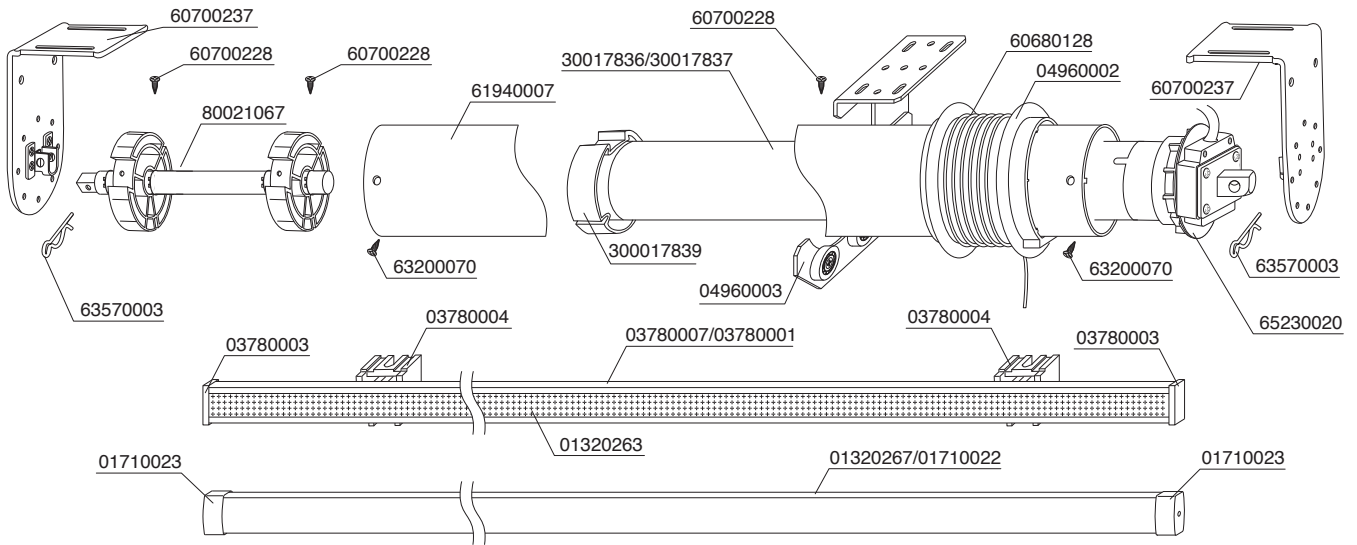
Specification

Source Voltage	DC 3V (CR2032 × 1)
Source Current	20 mA or lower
Wave Frequency	433.92 MHz
Number of Channel	1 to 6 (ALL for 6 CH)
Ambient Temperature	-10 to 50°C (Non-condensing)
Reaching Distance	30 m (varies depending on the condition)
Product Size	W 42 mm × H 128 mm × D 13 mm
Product Weight	Approx. 58 g

Overall Structure Drawing



Exploded View



Parts and Components

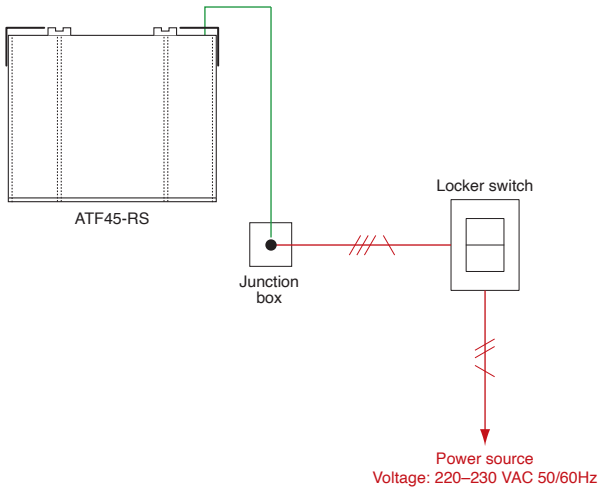
Item No.	Product Name	Product Width			
		900–1,400 mm (35–55")	1,410–1,900 mm (56–74")	1,910–2,400 mm (75–94")	2,410–2,900 mm (95–114")
30017836	ATF45-03Q (switch operation)	1 pc	1 pc	1 pc	1 pc
30017837	ATF45-03Q RF (RF operation)				
61940007	ATF45 Roller Pipe Ø 60 4,000 mm (157")	W–70 mm (2.8") × 1 pc	W–70 mm (2.8") × 1 pc	W–70 mm (2.8") × 1 pc	W–70 mm (2.8") × 1 pc
65230020	ATF45-S Limit Crown	1 pc	1 pc	1 pc	1 pc
30017839	ATF45-03 Drive	1 pc	1 pc	1 pc	1 pc
80021067	ATF45-N Pipe End N	1 pc	1 pc	1 pc	1 pc
60700237	ATF45 Side Bracket	2 pcs	2 pcs	2 pcs	2 pcs
63570003	Split Pin	2 pcs	2 pcs	2 pcs	2 pcs
60700228	Tapping Screw for Plastic Ø 4.0 × 8	1 pc	1 pc	1 pc	1 pc
63200070	Tapping Screw TS 3 × 10	2 pcs	2 pcs	2 pcs	2 pcs
04960002	ATF45-RS Recoiling Pulley	4	5	6	7
60680128	Lift Cord Ø 1.2	5 m (197") × 4 pcs	5 m (197") × 5 pcs	5 m (197") × 6 pcs	5 m (197") × 7 pcs
03780007/03780001	Freel Head Rail	W–4 mm (.16") × 1 pc	W–4 mm (.16") × 1 pc	W–4 mm (.16") × 1 pc	W–4 mm (.16") × 1 pc
01320263	RS Slide-in Velcro	W–4 mm (.16") × 1 pc	W–4 mm (.16") × 1 pc	W–4 mm (.16") × 1 pc	W–4 mm (.16") × 1 pc
03780003	Freel Head Cap	2 pcs	2 pcs	2 pcs	2 pcs
03780004	Freel Bracket	((W – 200 mm) / 600 mm) pcs, ((W – 7.9") / 24") pcs			
04960003	ATF45-RS Intermediate Bracket	–W 2,500 mm (98"): none, W 2,510–4,000 mm (99–158"): 1 pc			
01710023	RS Weight Bar Cap 25	2 pcs	2 pcs	2 pcs	2 pcs
01320267/01710022	RS Weight Bar 25	W–50 mm (2.0") × 1 pc	W–50 mm (2.0") × 1 pc	W–50 mm (2.0") × 1 pc	W–50 mm (2.0") × 1 pc

Item No.	Product Name	Product Width		
		2,910–3,400 mm (115–133")	3,410–3,900 mm (134–153")	3,910–4,000 mm (154–158")
30017836	ATF45-03Q (switch operation)	1 pc	1 pc	1 pc
30017837	ATF45-03Q RF (RF operation)			
61940007	ATF45 Roller Pipe Ø 60 4,000 mm (157")	W–70 mm (2.8") × 1 pc	W–70 mm (2.8") × 1 pc	W–70 mm (2.8") × 1 pc
65230020	ATF45-S Limit Crown	1 pc	1 pc	1 pc
30017839	ATF45-03 Drive	1 pc	1 pc	1 pc
80021067	ATF45-N Pipe End N	1 pc	1 pc	1 pc
60700237	ATF45 Side Bracket	2 pcs	2 pcs	2 pcs
63570003	Split Pin	2 pcs	2 pcs	2 pcs
60700228	Tapping Screw for Plastic Ø 4.0 × 8	1 pc	1 pc	1 pc
63200070	Tapping Screw TS 3 × 10	2 pcs	2 pcs	2 pcs
04960002	ATF45-RS Recoiling Pulley	8	9	10
60680128	Lift Cord Ø 1.2	5 m (197") × 8 pcs	5 m (197") × 9 pcs	5 m (197") × 10 pcs
03780007/03780001	Freel Head Rail	W–4 mm (.16") × 1 pc	W–4 mm (.16") × 1 pc	W–4 mm (.16") × 1 pc
01320263	RS Slide-in Velcro	W–4 mm (.16") × 1 pc	W–4 mm (.16") × 1 pc	W–4 mm (.16") × 1 pc
03780003	Freel Head Cap	2 pcs	2 pcs	2 pcs
03780004	Freel Bracket	((W – 200 mm) / 600 mm) pcs, ((W – 7.9") / 24") pcs		
04960003	ATF45-RS Intermediate Bracket	–W 2,500 mm (98"): none, W 2,510–4,000 mm (99–158"): 1 pc		
01710023	RS Weight Bar Cap 25	2 pcs	2 pcs	2 pcs
01320267/01710022	RS Weight Bar 25	W–50 mm (2.0") × 1 pc	W–50 mm (2.0") × 1 pc	W–50 mm (2.0") × 1 pc

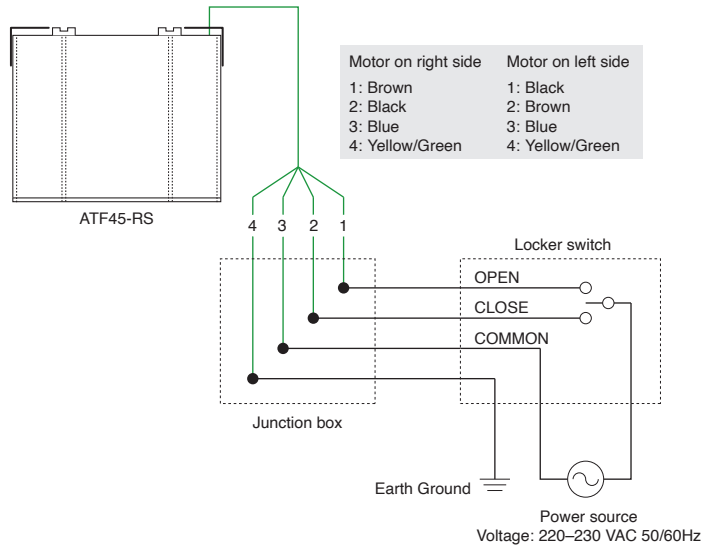
Basic Wiring and Connecting Diagram

Single Operation (ATF45-03Q)

Basic Wiring Diagram

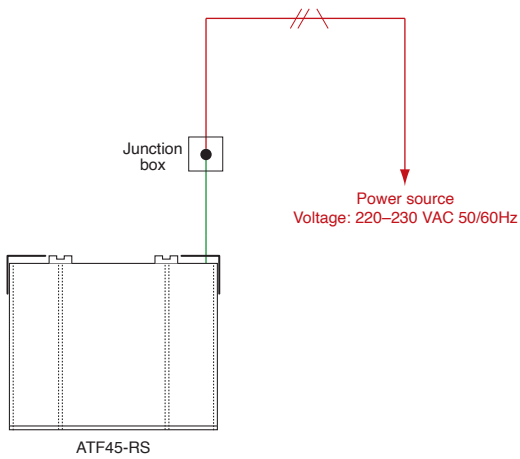


Basic Connecting Diagram

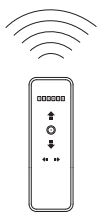
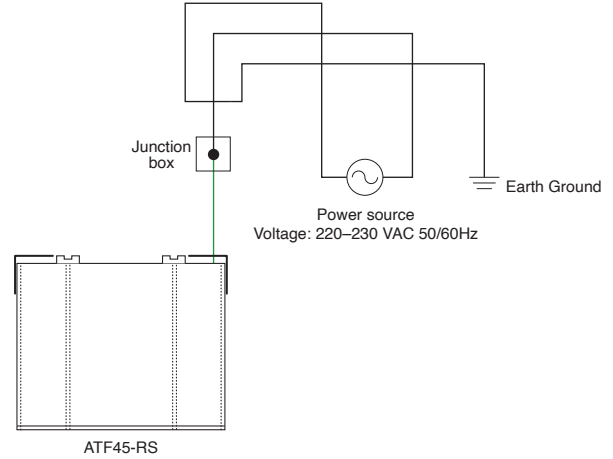


FM Remote-Control Built-in Receiver (ATF45-03QRF)

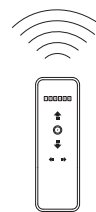
Basic Wiring Diagram



Basic Connecting Diagram



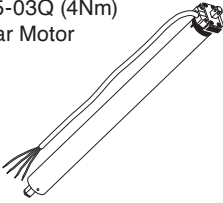

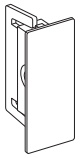
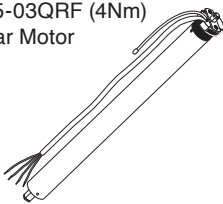
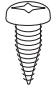
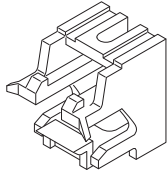


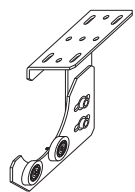
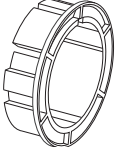
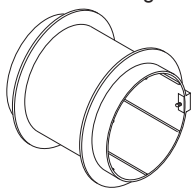

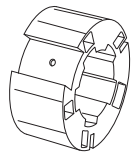
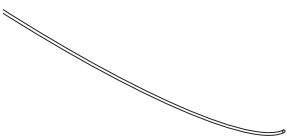
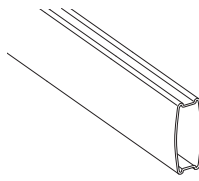
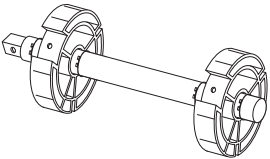
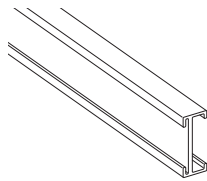
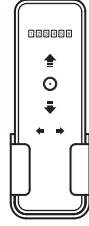
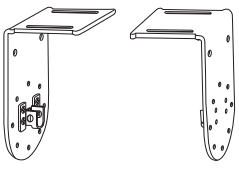
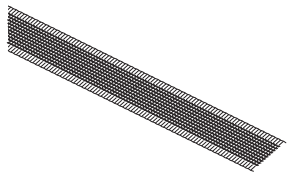
FM Remote-Control Transmitter



FM Remote-Control Transmitter

Explanatory notes: — Power supply, — Main body attachment or TOSO standard

ATF45-RS Parts

Product Name	Product Code	Product Name	Product Code	Product Name	Product Code
ATF45-03Q (4Nm) Tubular Motor 	30017836	Split Pin 	63570003	Freel Head Cap 	03780003
ATF45-03QRF (4Nm) Tubular Motor 	30017837	Tapping Screw for Plastic Ø 4.0 x 8 	60700228	Freel Bracket 	03780004
ATF45 Roller Pipe Ø 60 4,000 mm 	61940007	Tapping Screw TS 3 x 10 	63200070	ATF45-RS Intermediate Bracket 	04960003
ATF45-S Limit Crown 	65230020	ATF45-RS Recoiling Pulley 	04960002	RS Weight Bar Cap 25 	01710023
ATF45-03 Drive (Adapter) 	30017839	Lift Cord Ø 1.2 	60680128	RS Weight Bar 25 	3,000 mm 01320267 4,000 mm 01710022
ATF45-N Pipe End N 	80021067	Freel Head Rail 	4,000 mm 03780001	FM Remote-Control Transmitter (6 channels) 	30006891
ATF45 Side Bracket 	60700237	RS Slide-in Velcro 	01320263		

