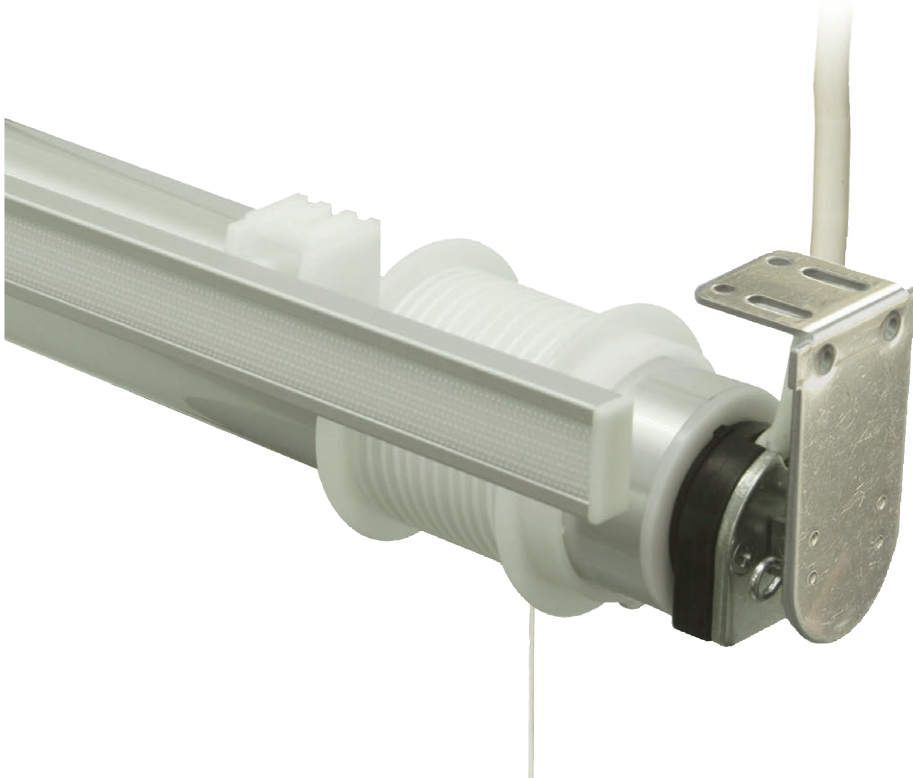


Motorized Roman Shade

# ATF35-RS

Mar. 2021  
RENEWAL



- Exceptionally compact motorized roman shade.
- Suitable for most ordinary windows.  
(Max. dimensions: 2000 mm or 79" in width,  
3000 mm or 118" in height and  
max. square: 6 m<sup>2</sup> or 7.2 yd<sup>2</sup>)
- Switch operation type and FM remote type are available.

# ATF35-RS

## ATF35-RB's Unique Features

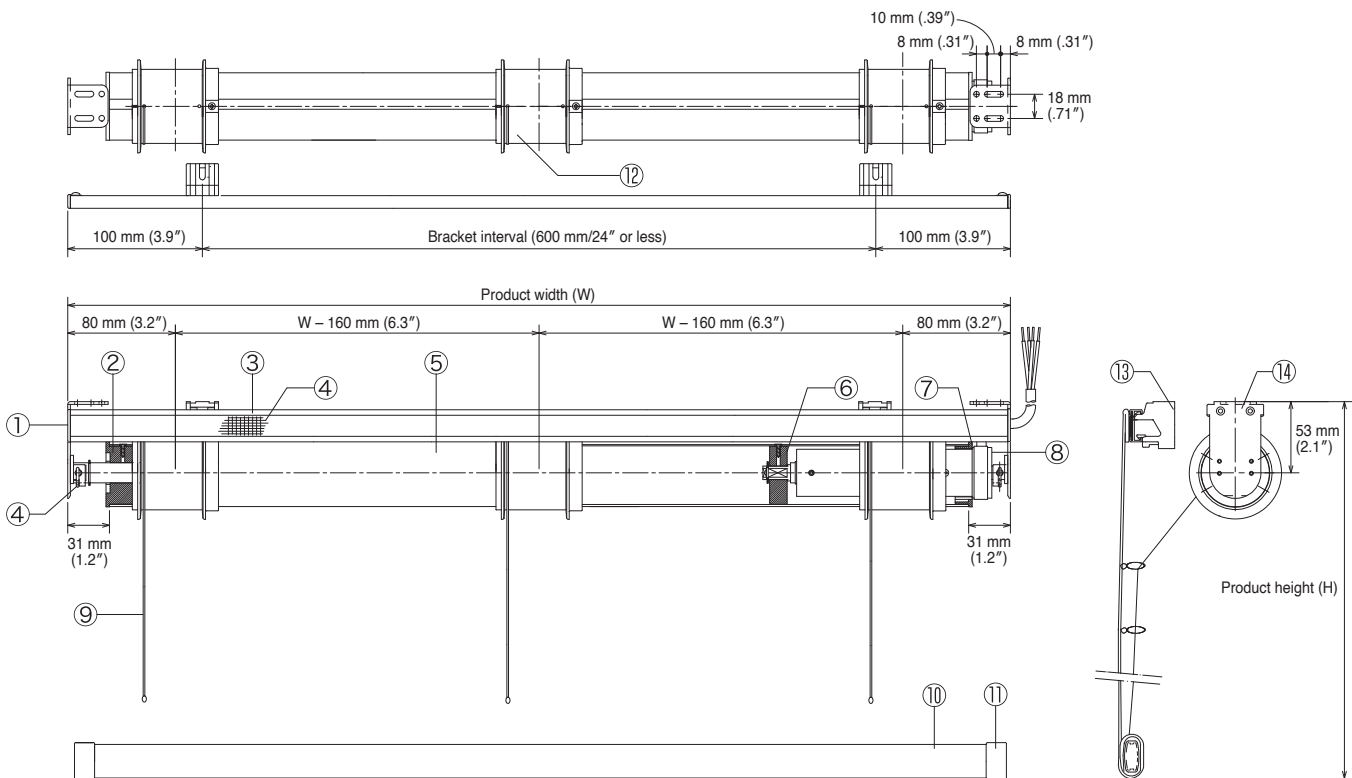
This compact design motorized roman shade offers a variety of uses: from commercial to home.

A good choice for a wide range of home and commercial settings.

ATF35 tubular motor realizes quiet operation. (less than 40 dB)

Motor for switch operation and motor (built-in FM Receiver) are available.

## Structure Drawing



## Components and Materials

No.	Components	Material
①	Freel Head Cap	Polyacetal resin
②	ATF35 Pipe End	Polyacetal resin
③	Freel Head Rail	Aluminum
④	RS Slide-in Velcro	Polypropylene
⑤	ATF35 Roller Pipe $\phi$ 50	Aluminum
⑥	ATF35-05 Drive	Polyacetal resin
⑦	ATF35 Limit Crown	Polyacetal resin

No.	Components	Material
⑧	ATF35-05/05RF Tubular Motor	—
⑨	Lift Cord $\phi$ 1.2	Polyester fiber
⑩	RS Weight Bar 25	Steel
⑪	RS Weight Bar Cap 25	Polyethylene resin
⑫	ATF35-RS Recoiling Pulley	Polyacetal resin
⑬	Freel Bracket	Polyacetal resin
⑭	ATF35-04 End Side Bracket	Stainless steel

### Motor Specifications

Power Source Voltage	V	AC220–230
Frequency	Hz	50 / 60
Current	A	0.485
Power Consumption	W	115
Rated Torque	Nm	4
Rated RPM	rpm	23
Rated Running Time	min	4
Ambient Temperature	C	-10 to 40

\*Since this is not synchronized motor, RPM is vary depending on fabric weight.

### Allowable Size

Width	ATF35-05	600–2,000 mm (24–79")
	ATF35-05RF	700–2,000 mm (28–79")
Height		600–3,000 mm (24–118")
Max Surface Area		7 m <sup>2</sup> (8.4 yd <sup>2</sup> )

### Maximum Screen Weight

6.0 kg (13 lb)  
(1.0 kg/2 lb or less per one Pulley)

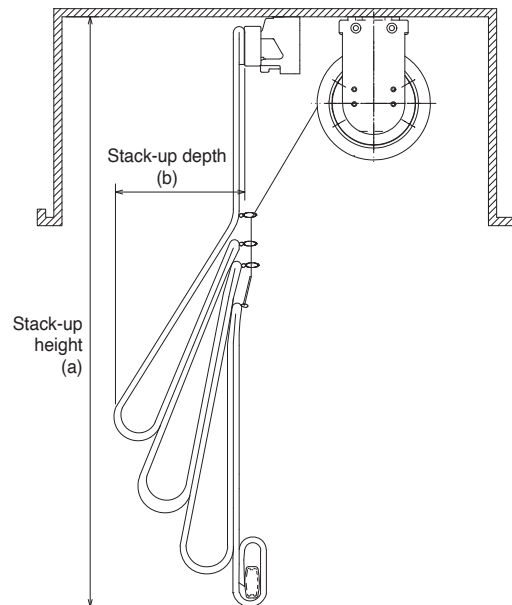
### Product Weight

5.2 kg (11 lb)  
(width: 2,000 mm/79" without screen)

### Recommended Number of Lift Cords

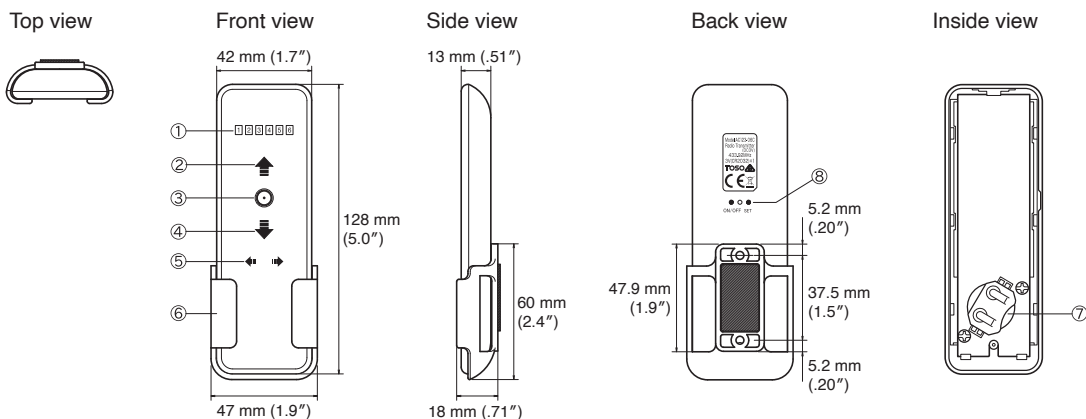
Product Width	Number of Lift Cords
600–900 mm (24–35")	3
910–1,400 mm (36–55")	4
1,410–1,900 mm (56–75")	5
1,910–2,000 mm (75–79")	6

### Stack-up Guide



Style	Plain	Plain with Rods	Balloon (Gathers)	
Product Height	-3,000 mm (118")	-1,500 mm (59")	-3,000 mm (118")	
Recommended Ring Interval	200 mm (7.9")	120 mm (4.7")	150 mm (5.9")	
Stack-up Height Dimension (a)	200 mm (7.9") + H/80 mm (3.2")	220 mm (8.7") + H/24 mm (.94")	250 mm (9.8") + H/30 mm (1.2")	600 mm (24") + H/60 mm (2.4")
Stack-up Depth Dimension (b)	80 mm (3.2")	100 mm (3.9")	200 mm (7.9")	

### FM Remote-Control Transmitter



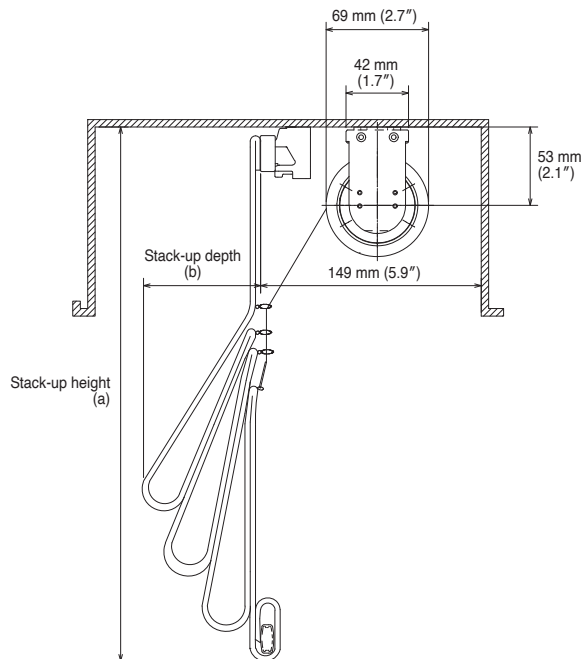
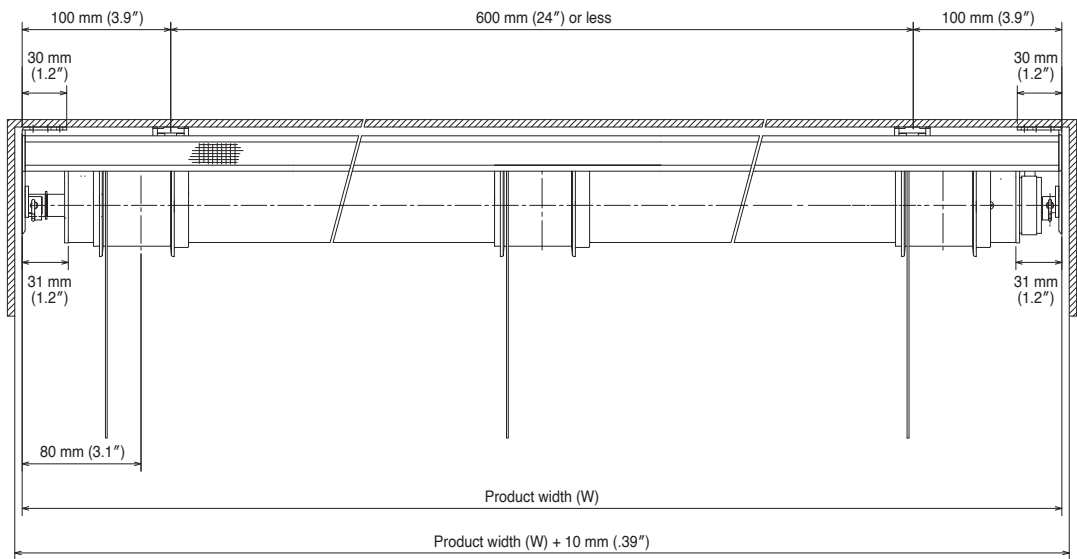
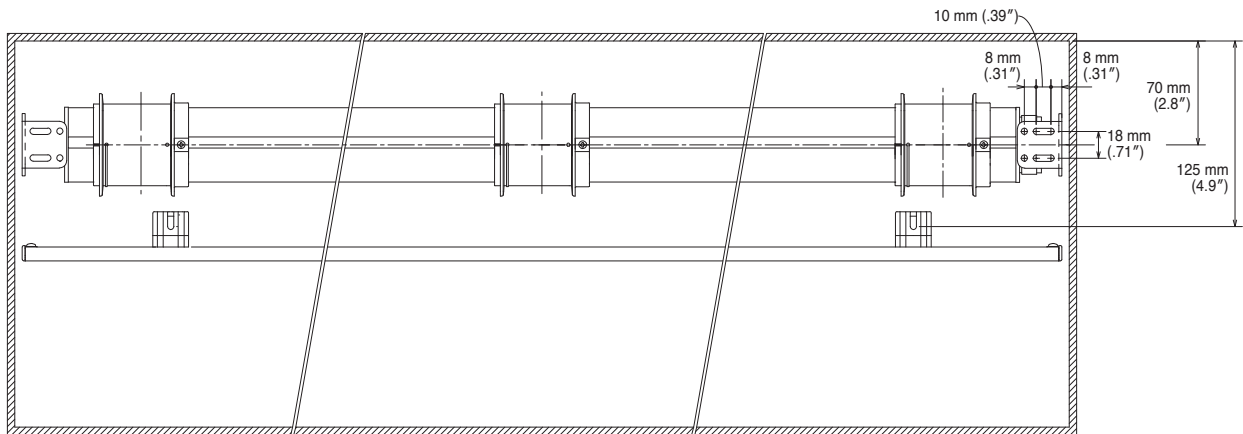
#### Parts Name

①	Address No. LED Indicator Lamp
②	Open Button
③	Stop Button
④	Close Button
⑤	Address No. Setting Button
⑥	Holder
⑦	Lithium Battery (CR2032)
⑧	ON/OFF Button

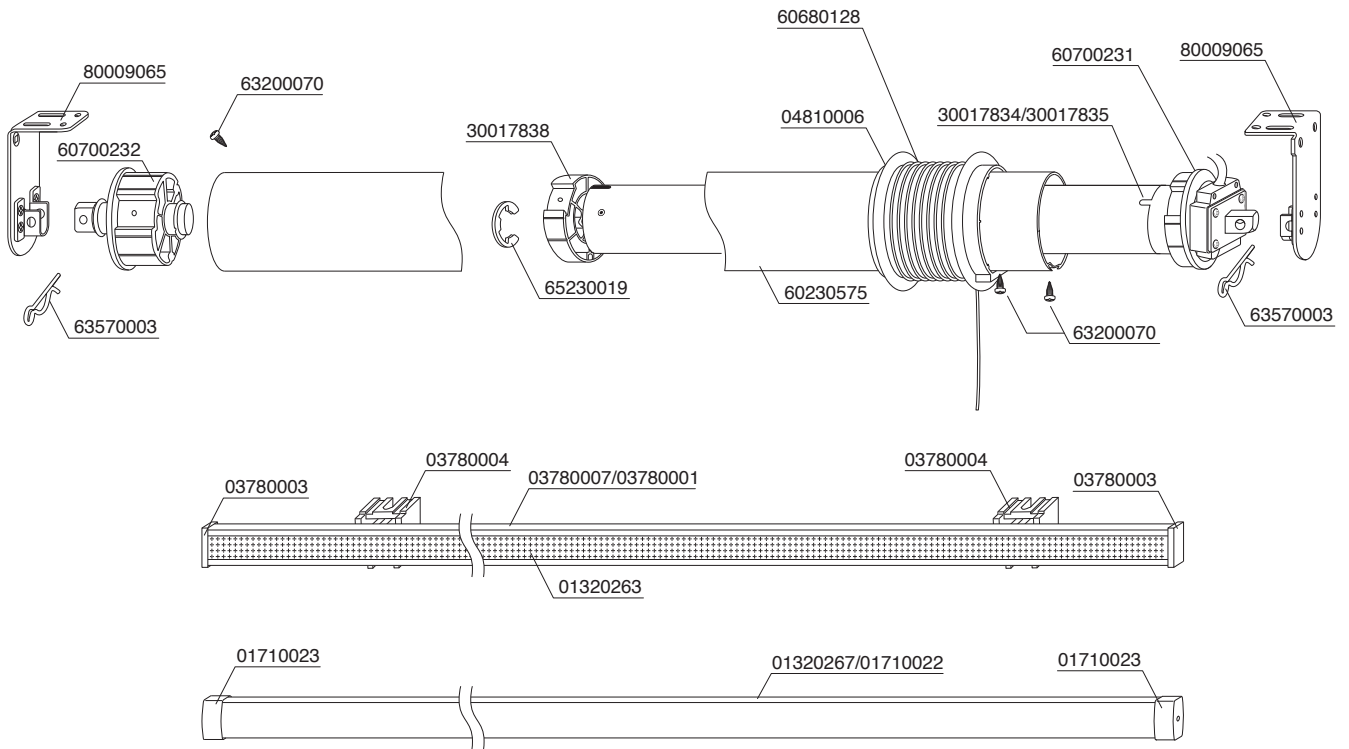
#### Specification

Source Voltage	DC 3V (GR2032 × 1)
Source Current	20 mA or lower
Wave Frequency	433.92 MHz
Number of Channel	1 to 6 (ALL for 6 CH)
Ambient Temperature	-10 to 50°C (Non-condensing)
Reaching Distance	30 m (varies depending on the condition)
Product Size	W 42 mm × H 128 mm × D 13 mm
Product Weight	Approx. 58 g

Overall Structure Drawing



Exploded View



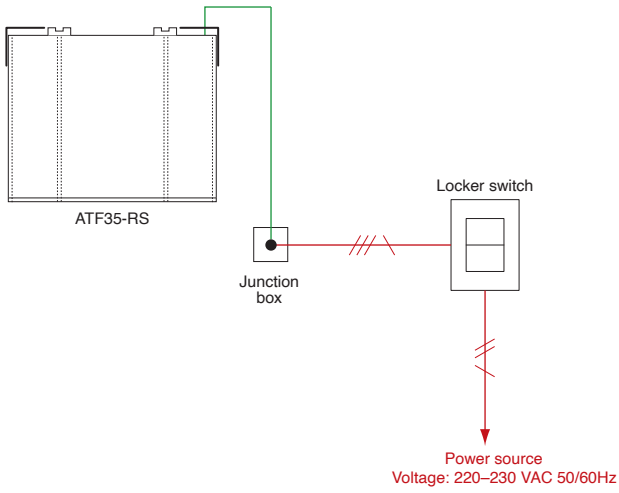
Parts and Components

Item No.	Product Name	Product Width			
		600-900 mm (24-35")	910-1,400 mm (36-55")	1,410-1,900 mm (56-75")	1,910-2,000 mm (75-79")
30017834	ATF35-05 Tublar Motor	1 pc	1 pc	1 pc	1 pc
30017835	ATF35-05RF Tublar Motor				
60700231	ATF35 Limit Crown	1 pc	1 pc	1 pc	1 pc
30017838	ATF35-05 Drive	1 pc	1 pc	1 pc	1 pc
60700232	ATF35 Pipe End	1 pc	1 pc	1 pc	1 pc
60230575	ATF35 Roller Pipe Ø 50 2000 mm (79")	W-62 mm (2.4") x 1 pc	W-62 mm (2.4") x 1 pc	W-62 mm (2.4") x 1 pc	W-62 mm (2.4") x 1 pc
80009065	ATF35-04 End Side Bracket	2 pcs	2 pcs	2 pcs	2 pcs
63570003	Split Pin	2 pcs	2 pcs	2 pcs	2 pcs
65230019	Retaining Ring	1 pc	1 pc	1 pc	1 pc
63200070	Tapping Screw 3 x 10	2 pcs	2 pcs	2 pcs	2 pcs
03780004	Freel Bracket	2 (W: 600-800 mm /24-32")	3 (W: 810-1,400 mm /32-55")	4 (W: 1,410-2,000 mm /56-79")	4 (W: 1,410-2,000 mm /56-79")
03780007/03780001	Freel Head Rail	W-4 mm (.16") x 1 pc	W-4 mm (.16") x 1 pc	W-4 mm (.16") x 1 pc	W-4 mm (.16") x 1 pc
03780003	Freel Head Cap	2 pcs	2 pcs	2 pcs	2 pcs
01320263	RS Slide-in Velcro	W-4 mm (.16") x 1 pc	W-4 mm (.16") x 1 pc	W-4 mm (.16") x 1 pc	W-4 mm (.16") x 1 pc
04810006	ATF35-RS Recoiling Pulley	3 pcs	4 pcs	5 pcs	6 pcs
60680128	Lift Cord Ø 1.2	3 pcs x 4 m (158")	4 pcs x 4 m (158")	5 pcs x 4 m (158")	6 pcs x 4 m (158")
01710023	RS Weight Bar Cap 25	2 pcs	2 pcs	2 pcs	2 pcs
01320267/01710022	RS Weight Bar 25	W-50 mm (2.0") x 1 pc	W-50 mm (2.0") x 1 pc	W-50 mm (2.0") x 1 pc	W-50 mm (2.0") x 1 pc

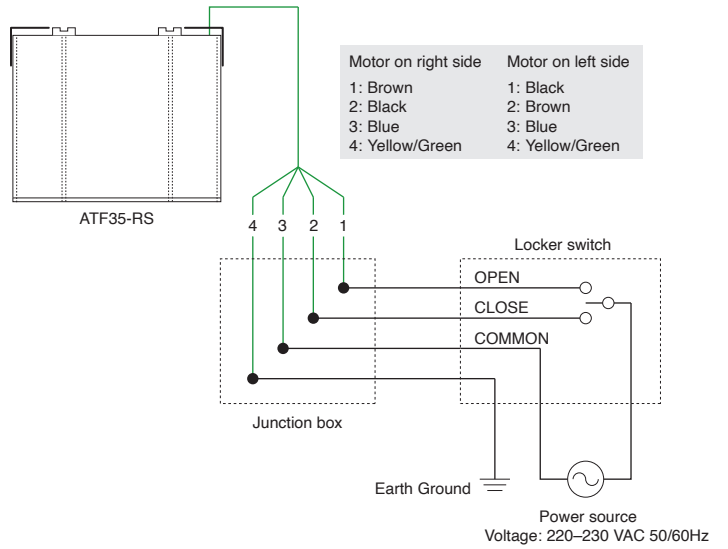
## Basic Wiring and Connecting Diagram

### Single Operation (ATF35-05)

Basic Wiring Diagram

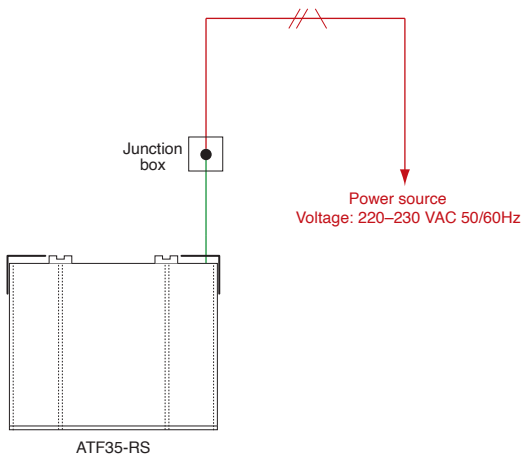


Basic Connecting Diagram

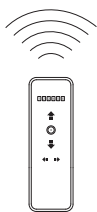
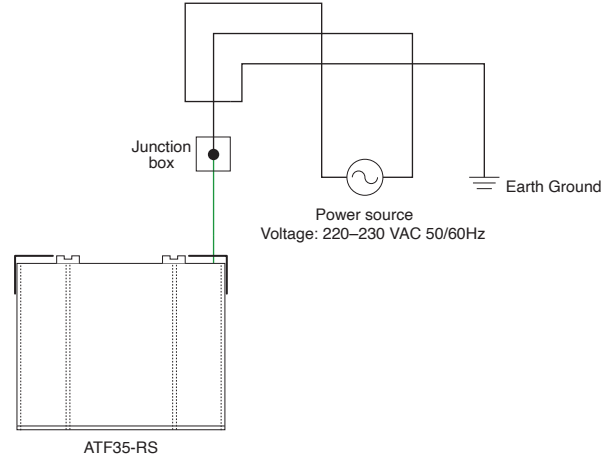


### FM Remote-Control Built-in Receiver (ATF35-05 RF)

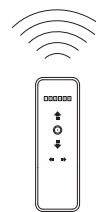
Basic Wiring Diagram



Basic Connecting Diagram



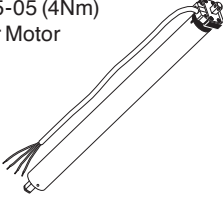

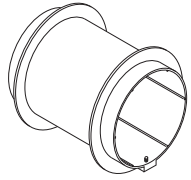
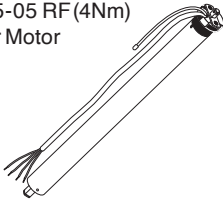

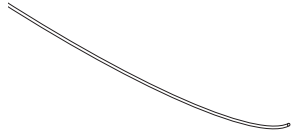
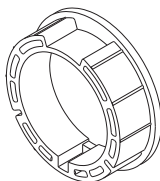


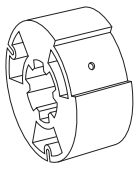
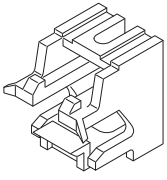
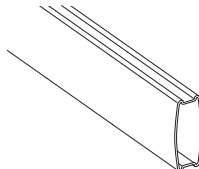
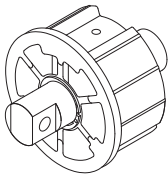
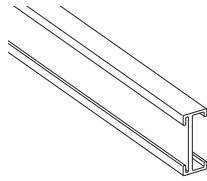
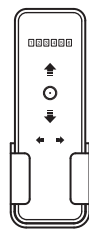
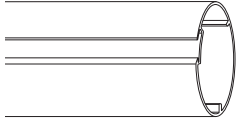
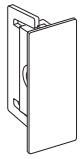
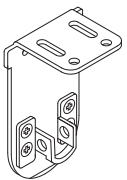
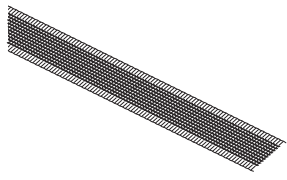
FM Remote-Control Transmitter



FM Remote-Control Transmitter

Explanatory notes: — Power supply, — Main body attachment or TOSO standard

ATF35-RS Parts

Product Name	Product Code	Product Name	Product Code	Product Name	Product Code
ATF35-05 (4Nm) Tublar Motor 	30017834	Split Pin 	63570003	ATF35-RS Recoiling Pulley 	04810006
ATF35-05 RF (4Nm) Tublar Motor 	30017835	Retaining Ring 	65230019	Lift Cord Ø 1.2 	60680128
ATF35 Limit Crown 	60700231	Tapping Screw 3 x 10 	63200070	RS Weight Bar Cap 25 	01710023
ATF35-05 Drive 	30017838	Freel Bracket 	03780004	RS Weight Bar 25 	3,000 mm 01320267 4,000 mm 01710022
ATF35 Pipe End 	60700232	Freel Head Rail 	4,000 mm 03780001	FM Remote-Control Transmitter (6 channels) 	30006891
ATF35 Roller Pipe Ø 50 2000 mm 	60230575	Freel Head Cap 	03780003		
ATF35-04 End Side Bracket 	80009065	RS Slide-in Velcro 	01320263		

