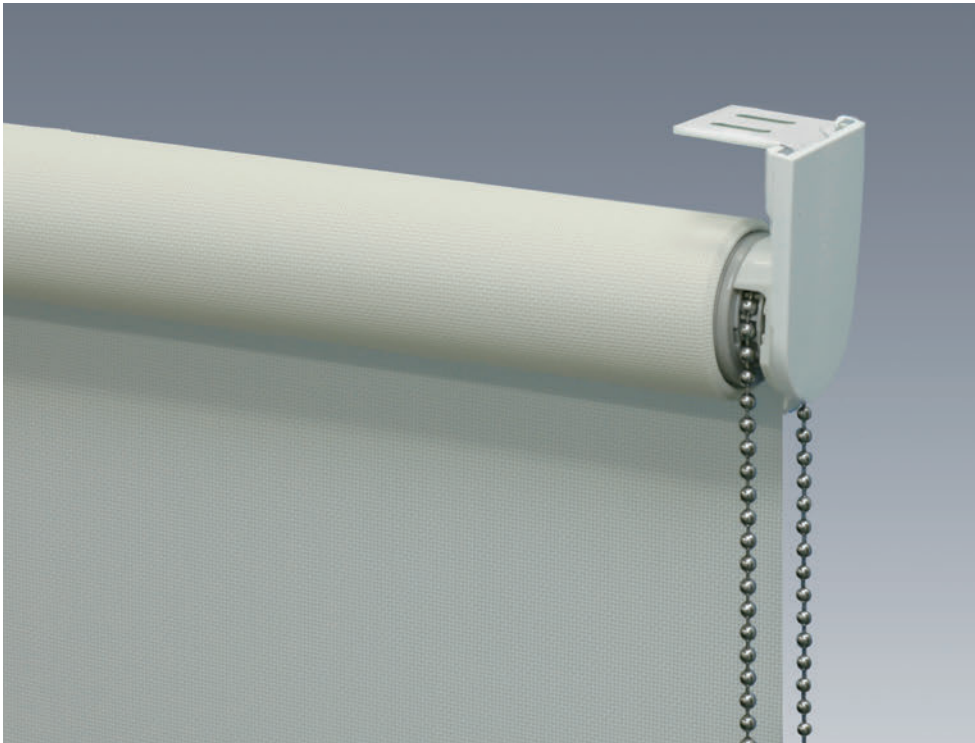


Roller Blind

# Mytec 01

Oct. 2012  
RENEWAL



- Two standard systems are available: Mytec 01 Loop, the Chain Drive System with a spring assist mechanism, and Mytec 01, the Spring Drive System with a speed control mechanism.
- A variety of optional parts: Top Box type, Side Frame type, Guide Wire type, Link type and Double type.
- The Speed Controller installed in the Spring Drive System, Mytec 01 prevents the blind from going up rapidly.

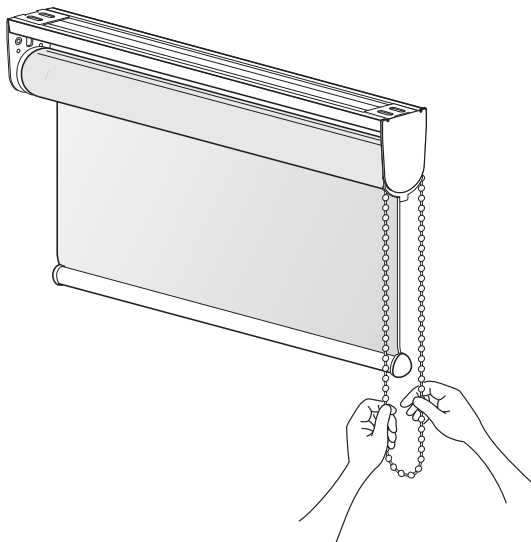
# Mytec 01

## Mytec 01's Unique Features

### Light and smooth operation.

Mytec 01 Loop incorporates the spring assisted mechanism in its Chain Drive System and Mytec 01 equips the Speed Controller with its Spring Drive System. These two systems enable light and smooth operation of the blind.

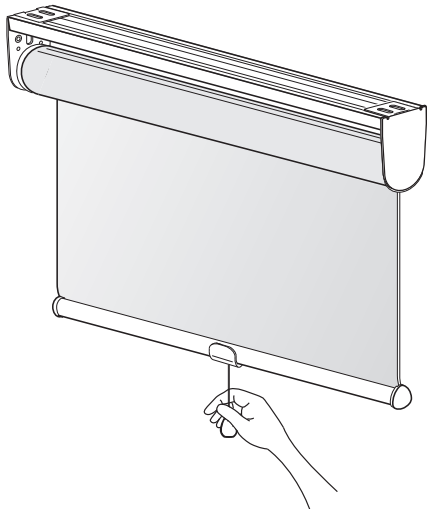
#### ■ Mytec 01 Loop



#### Chain Drive System

The spring assisted mechanism allows you to operate the blind with ease even for a large or tall windows.

#### ■ Mytec 01



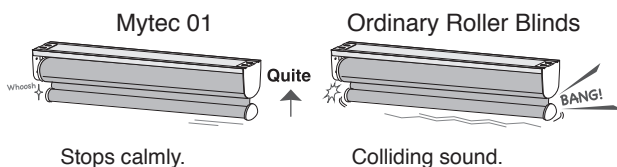
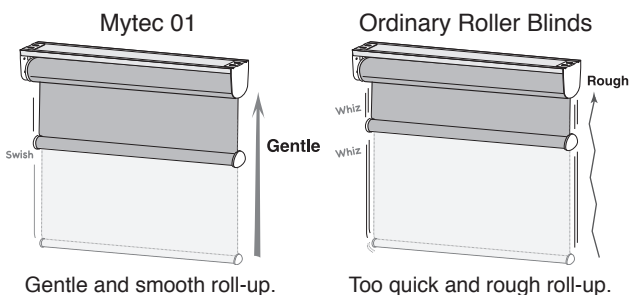
#### Spring Drive System

Just pull down the pull ball or the pull grip, and the blind stops at anywhere you want. To raise the screen, pull the pull ball or the pull grip just a little. The blind rolls up at the same speed without acceleration.

The Speed Controller installed in the Spring Drive System, Mytec 01 prevents the blind from going up rapidly.

Mytec 01 slowly moves up at a constant speed because the Speed Controller prevents its rapid uplift.

Discomfort noise of collision between the Set Bar or window frame and the Weight Bar can be avoided also.



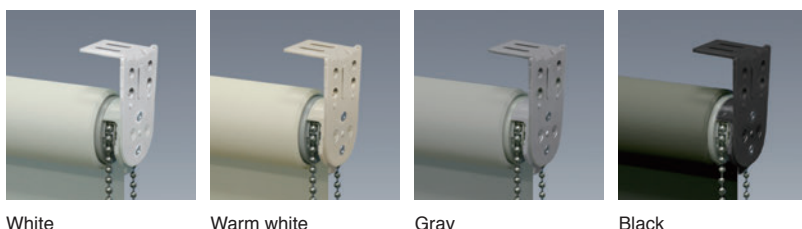
**A variety of optional parts responds to a wide range of use.**

Both Mytec 01 Loop and Mytec 01 can meet various needs of installation sites through attaching various optional parts to the standard products.

Especially Mytec 01 has high versatility.

		Mytec 01 Loop (Chain Drive System)		Mytec 01 (Spring Drive System)	
		Side Bracket Type	Set Bar Type	Side Bracket Type	Set Bar Type
<b>Standard</b>		<input type="radio"/>	<input type="radio"/>	<input type="radio"/>	<input type="radio"/>
<b>Option</b>	Top Box Type	<input type="radio"/>	—	<input type="radio"/>	—
	Side Frame Type	<input type="radio"/>	<input type="radio"/>	—	—
	Top Box + Side Frame Type	<input type="radio"/>	—	—	—
	Guide Wire Type	<input type="radio"/>	<input type="radio"/>	<input type="radio"/>	<input type="radio"/>
	Top Box + Guide Wire Type	<input type="radio"/>	—	<input type="radio"/>	—
	Link Type	<input type="radio"/>	—	—	—
	Double Type	<input type="radio"/>	—	—	—
	Link Double Type	<input type="radio"/>	—	—	—

**The color variation of the Side Holder.** \*Side Bracket type only



White

Warm white

Gray

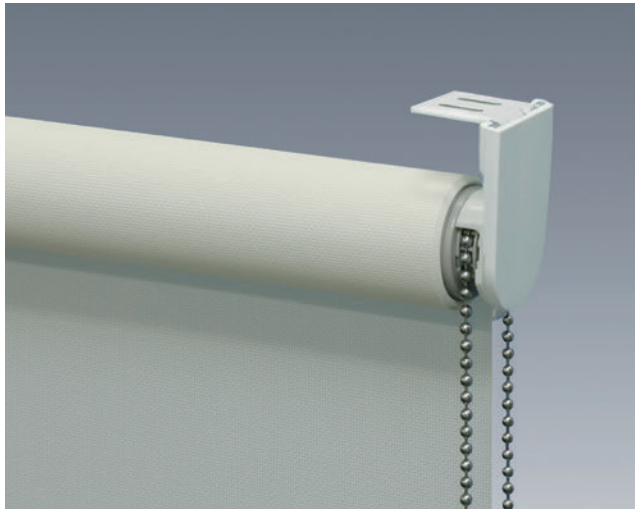
Black

**Most parts can be commonly used, resulting in decrease of inventory.**

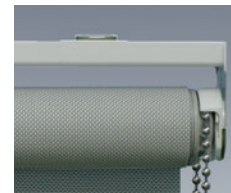
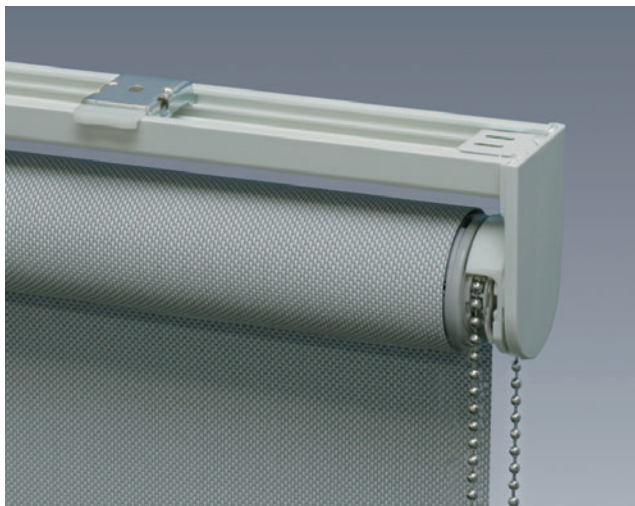
Key parts including Roller Pipe and Weight Bar can be commonly used for all types of the products. It, therefore, realizes high working efficiency during assembly and decrease of inventory risk.

### Mytec 01 Loop

#### ■ Side Bracket Type



#### ■ Set Bar Type



\*The bracket can be obscured by installing the bracket back and forth opposite, when setting it up.

- Blinds up to 2700 mm (106") width and 3000 mm (118") height with 3.7 kg (8.2 lb) screen weight are possible.
- The spring assist mechanism attached makes for light operation even on large windows.
- Chain choice can be brass, stainless steel or plastic.

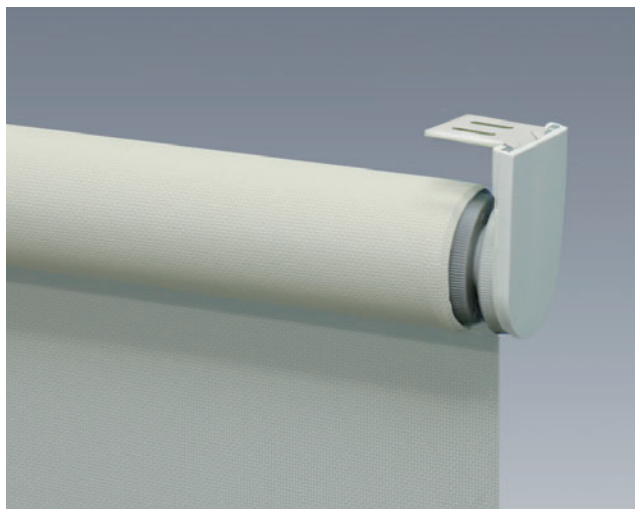
- Link type, double type, and four color variations are available for Side Bracket type only.

- With Set Bar Type, one person can install the blind by him or herself. Install the brackets first and then snap the blind onto the brackets.

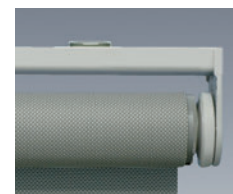
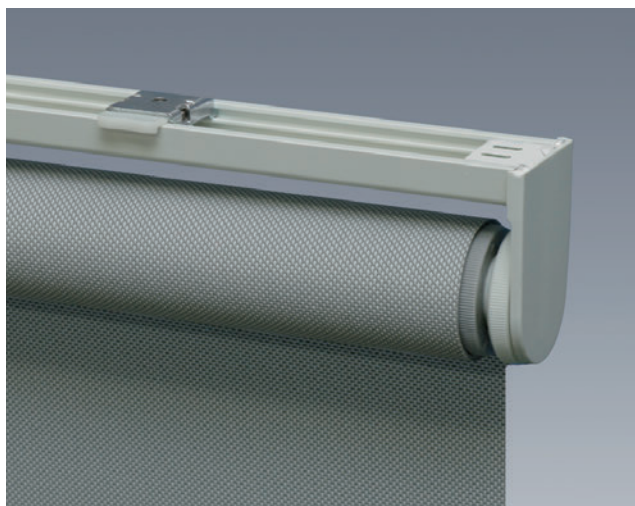
\*Metal chain is standard but plastic one is optionally available.

## Mytec 01

### ■ Side Bracket Type



### ■ Set Bar Type



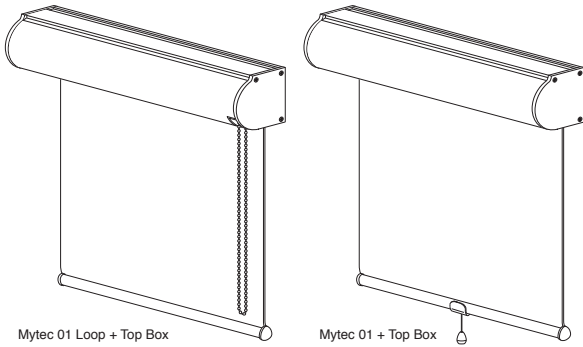
\*The bracket can be obscured by installing the bracket back and forth opposite, when setting it up.

- No crash at the top. A speed controller is standard for the spring drive system, enabling the blind to go up at a constant speed.
- No irritation to stop the blind. The mechanism assures you to stop the blind anywhere at your discretion.

- A stop controller is optional. It is a perfect solution to setting the upper limit position.
- With Set Bar Type, one person can install the blind by him or herself. Install the brackets first and then snap the blind onto the brackets.

## Mytec 01 Product Lineup—Option

### Top Box Type



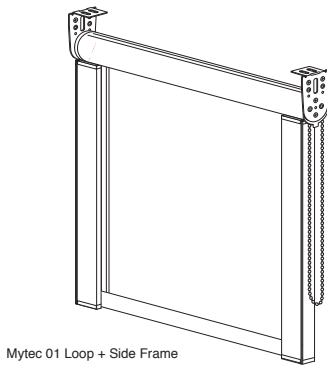
Top Box covers the rolled-up screens of both Mytec 01 systems. Top Box is simple form and design, and can neatly house screens without disfigurement.

\*Two sizes, S (Small) and M (Medium), are available for the Top Box.

Refer to page 12

Mytec 01 Loop (Chain Drive System)		Mytec 01 (Spring Drive System)	
Side Bracket Type	Set Bar Type	Side Bracket Type	Set Bar Type
●		●	

### Side Frame Type



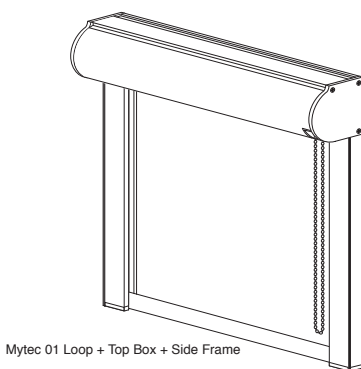
Side Frame secures the screen of Mytec 01 Loop (Chain Drive System) system. The frame can fill a gap between screen and window case. It also prevents the screen from flip-flop due to wind from the outside, resulting in long-lasting use.

\*Cannot be used for Mytec 01 (Spring Drive System).

Refer to page 14

Mytec 01 Loop (Chain Drive System)		Mytec 01 (Spring Drive System)	
Side Bracket Type	Set Bar Type	Side Bracket Type	Set Bar Type
●	●		

### Top Box + Side Frame Type



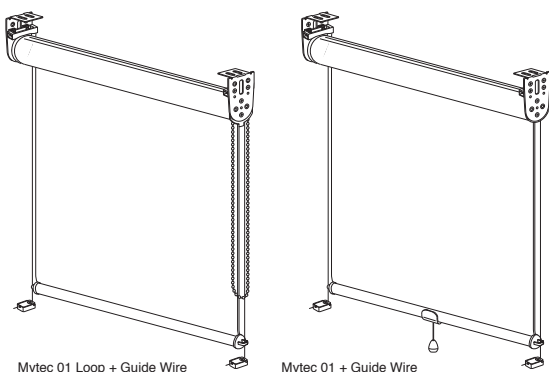
Both Top Box and Side Frame are installed for the screen of Mytec 01 Loop (Chain Drive System). This type can fill a gap between screen and window case not only on either side but also at the top, reducing leak of light. It also prevents the screen from flip-flop due to wind from the outside, resulting in long-lasting use.

\*Two sizes, S (Small) and M (Medium), are available for the Top Box.  
\*Cannot be used for Mytec 01 (Spring Drive System).

Refer to page 16

Mytec 01 Loop (Chain Drive System)		Mytec 01 (Spring Drive System)	
Side Bracket Type	Set Bar Type	Side Bracket Type	Set Bar Type
●			

### Guide Wire Type



Guide Wires are installed on either side of the screens for both Mytec 01 systems to secure them anteroposteriorly. This simple wire can keep the appearance around the screen neat and enables the screen to tidily move up and down. It also prevents the screen from flip-flop due to wind from the outside, resulting in long-lasting use.

\*Steel and nylon wires are available.

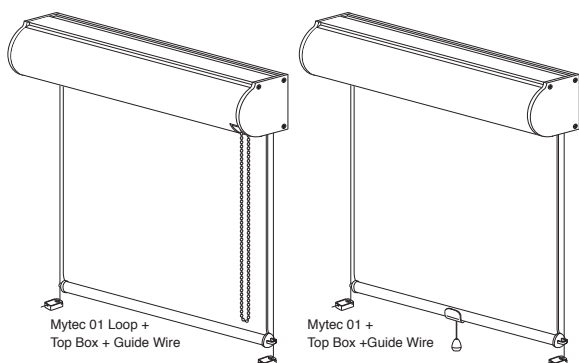
\*Available for sloped window. (Angle:  $\pm 5^\circ$ , Depend on the screen.)

Refer to page 18

Mytec 01 Loop (Chain Drive System)		Mytec 01 (Spring Drive System)	
Side Bracket Type	Set Bar Type	Side Bracket Type	Set Bar Type
●	●	●	●



### Top Box + Guide Wire Type



Both Top Box and Guide Wire are installed for the screens of Mytec 01 Loop and Mytec 01. Top Box can neatly cover the rolled-up screens and the Guide Wire enables the screen to tidily move up and down

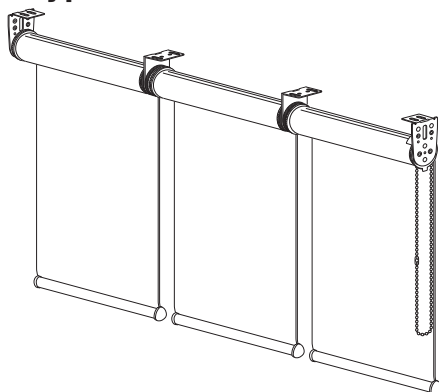
\*Two sizes, S (Small) and M (Medium), are available for the Top Box.

\*Steel and nylon wires are available.

Refer to page 20

Mytec 01 Loop (Chain Drive System)		Mytec 01 (Spring Drive System)	
Side Bracket Type	Set Bar Type	Side Bracket Type	Set Bar Type
●		●	

### Link Type

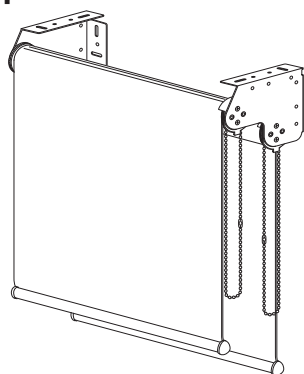


Two or three screens of Mytec 01 Loop (Chain Drive System) can be laterally installed. All screens can be operated by one chain. This type is recommended for wide-opening windows.

Refer to page 22

Mytec 01 Loop (Chain Drive System)		Mytec 01 (Spring Drive System)	
Side Bracket Type	Set Bar Type	Side Bracket Type	Set Bar Type
●			

### Double Type

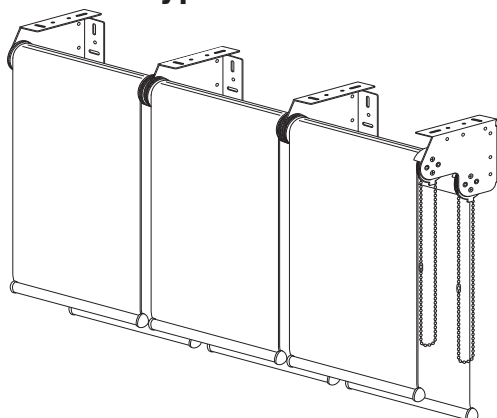


Two screens of Mytec 01 Loop (Chain Drive System) can be doubly installed. Each screen can be operated by its own chain.

Refer to page 24

Mytec 01 Loop (Chain Drive System)		Mytec 01 (Spring Drive System)	
Side Bracket Type	Set Bar Type	Side Bracket Type	Set Bar Type
●			

### Link Double Type



Double Type and Link Type of Mytec 01 Loop are combined. The screens installed doubly can be operated by their own chains and two or three screens installed laterally can be operated by one chain.

Refer to page 26

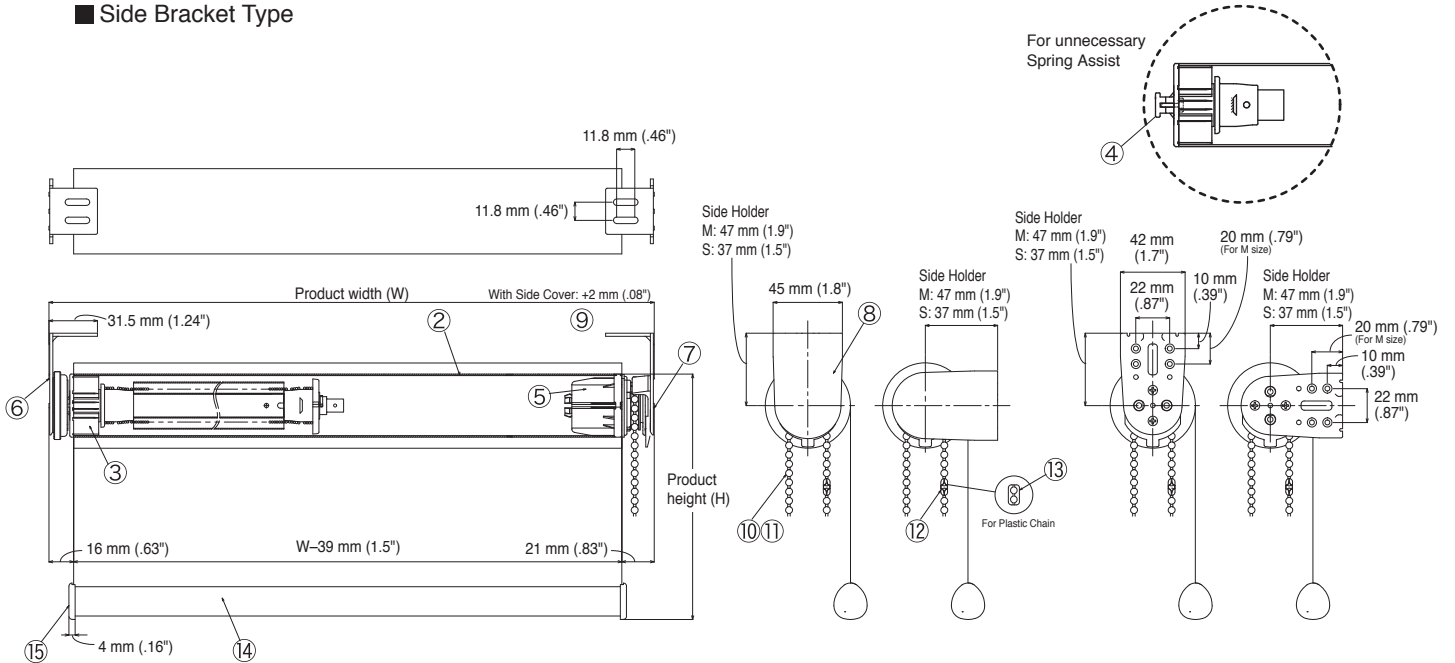
Mytec 01 Loop (Chain Drive System)		Mytec 01 (Spring Drive System)	
Side Bracket Type	Set Bar Type	Side Bracket Type	Set Bar Type
●			

## Structure Drawing—Mytec 01 Loop (Standard)

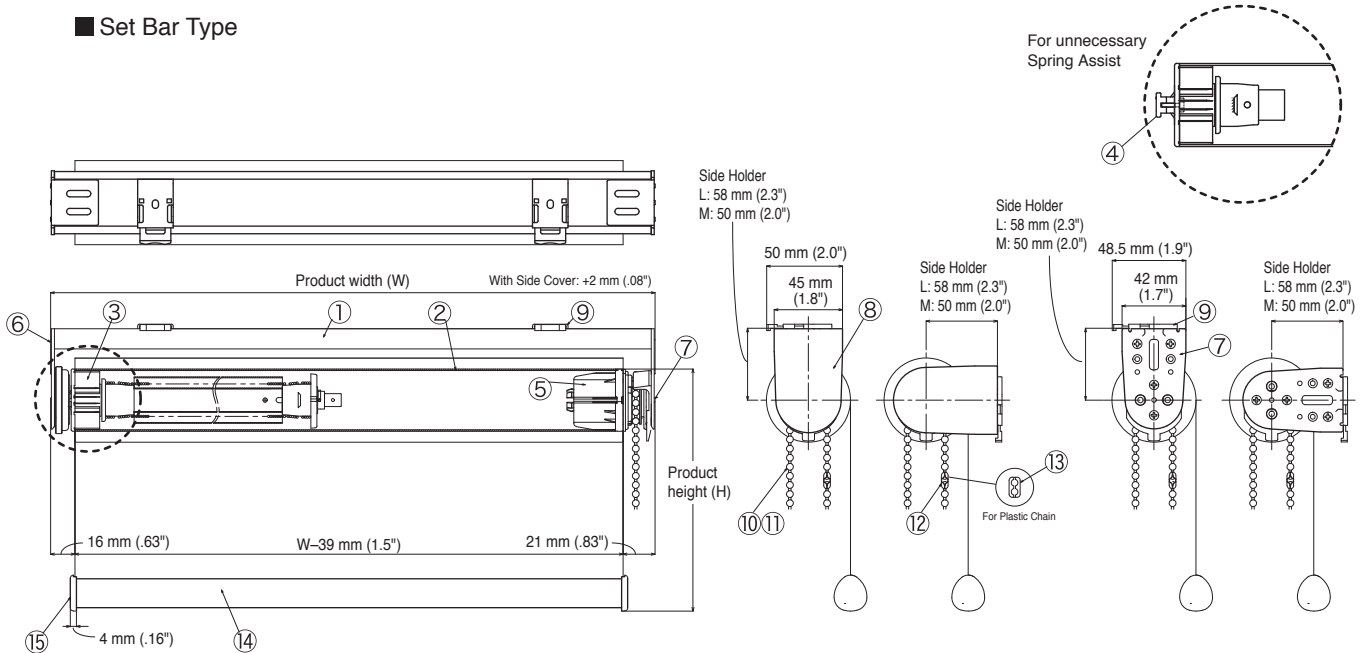
### Product View

\*Refer to 29 page for the Installation Dimension.

#### Side Bracket Type



#### Set Bar Type



### Components and Materials

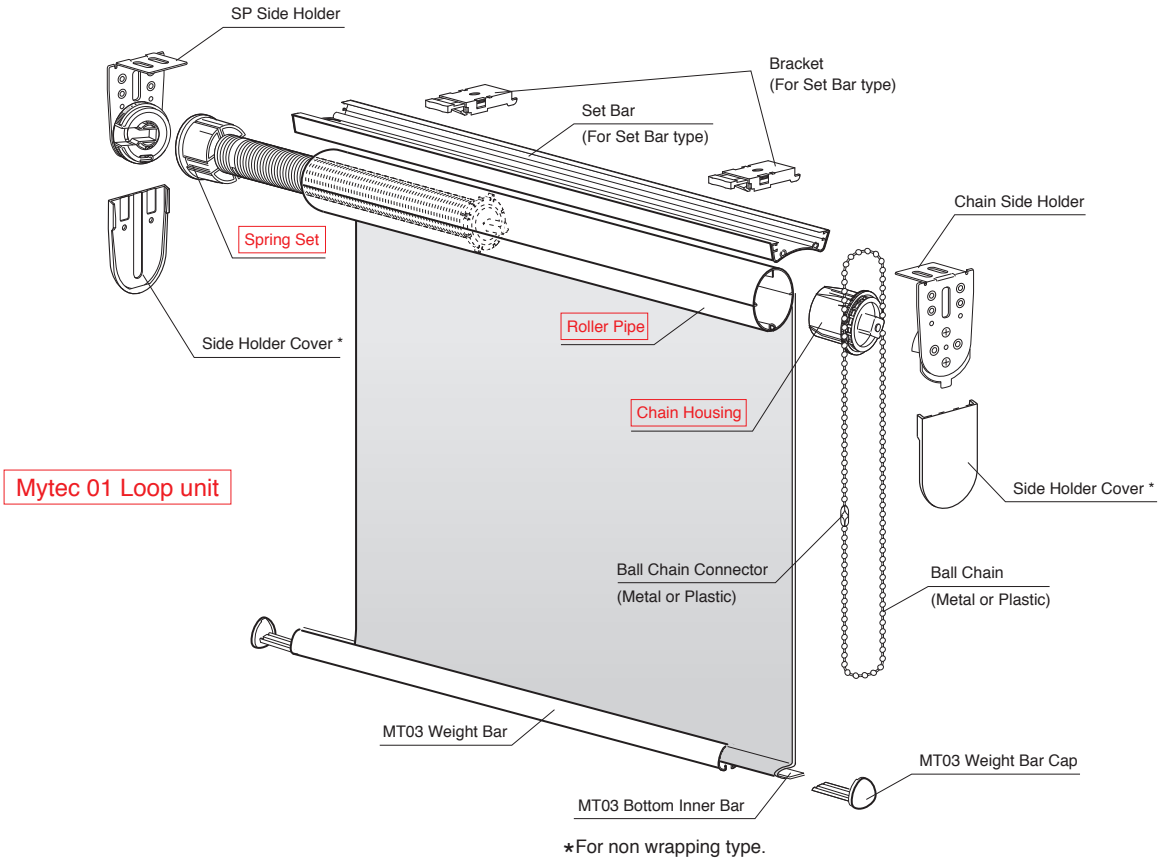
No.	Components	Material	No.	Components	Material	No.	Components	Material
①	Set Bar	Aluminum	⑥	SP Side Holder S/M/L	Steel, Molded resin	⑪	Plastic Ball Chain	Molded resin
②	Roller Pipe	Aluminum	⑦	Chain Side Holder S/M/L	Steel, Molded resin	⑫	Metal Ball Chain Connector	SUS or Brass
③	Spring Set	Steel, Molded resin	⑧	Side Holder Cover S/M/L	Molded resin	⑬	Plastic Ball Chain Joints	Molded resin
④	Non-balancer Set	Steel, Molded resin	⑨	Bracket	Steel, Molded resin	⑭	MT03 Weight Bar	Aluminum
⑤	Chain Housing	Steel, Molded resin	⑩	Metal Ball Chain	SUS or Brass	⑮	MT03 Weight Bar Cap	Molded resin

⑥⑦⑧ : Use S/M for Side Bracket type, and use M/L for Set Bar type.

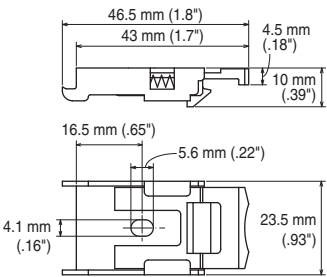


Exploded View

\* Selectable



Bracket



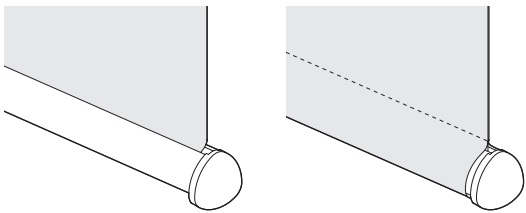
\*Set Bar type only.

Product Width	Number of Bracket
1400 mm (55") or less	2
1410 mm (56") or more	3

Weight Bar

Non wrapping type

Wrapping type



Specifications

		Metal Ball Chain		Plastic Ball Chain (Option)	
		Side Bracket Type (1 unit)	Set Bar Type	Side Bracket Type (1 unit)	Set Bar Type
Maximum Screen Weight		3.7 kg (8.2 lb)		3.2 kg (7.1 lb)	
Product Weight		1.9 kg (4.2 lb)	2.3 kg (5.1 lb)	1.8 kg (4.0 lb)	2.2 kg (4.9 lb)
(Width: 2000 mm/79" without screen) Ex.: Spring Set F, Side Holder M—Ball Chain length is 3000 mm (118")					
Allowable Size	Product Width (W)	300 mm (11.8") to 2700 mm (106") *			
	Product Height (H)	100 mm (3.9") to 3000 mm (118")			
	Ratio (W : H)	1 : 3 (limit)			

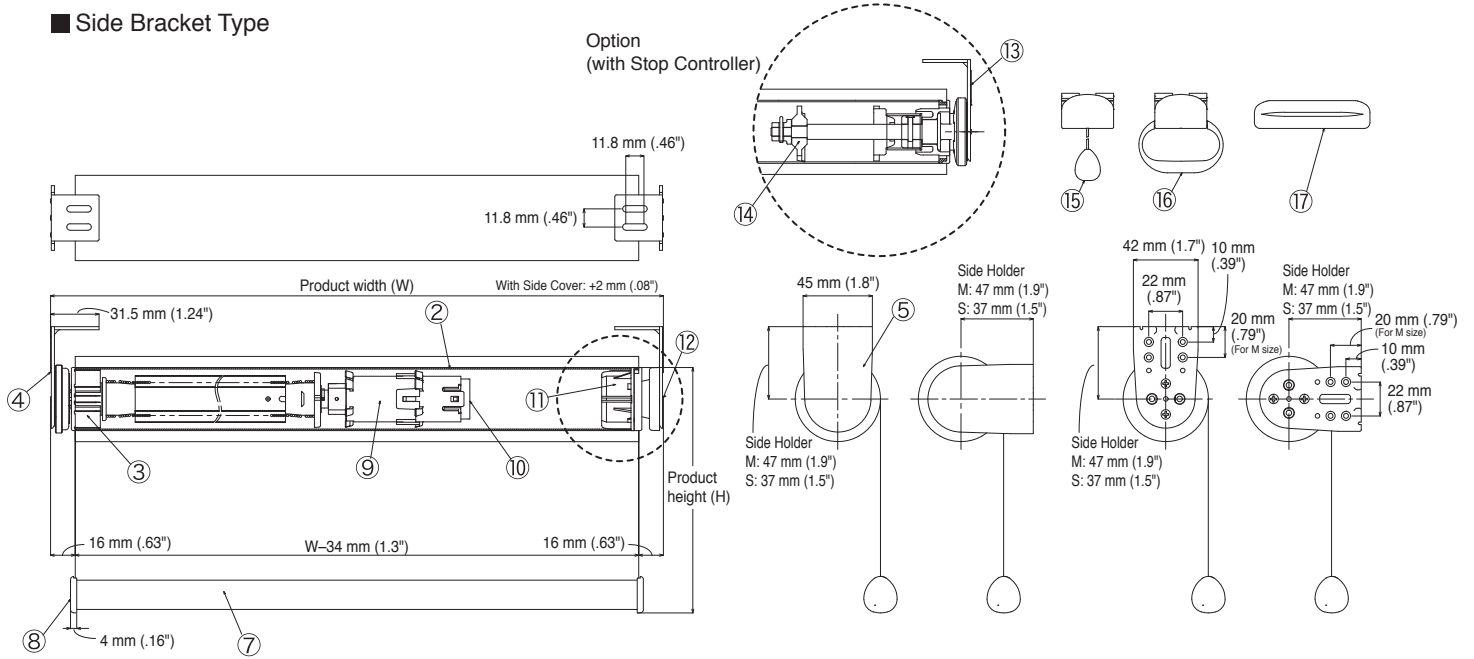
Notes: Regarding allowable size (W, H, Ratio), depending on material and weight, the screen may get wrinkled, curled or frayed. Maximum Screen Weights are different according to the screen material. \*Please use Roller Pipe 45 mm DIA for W=2,010 mm (79.1") or more.

## Structure Drawing—Mytec 01 (Standard)

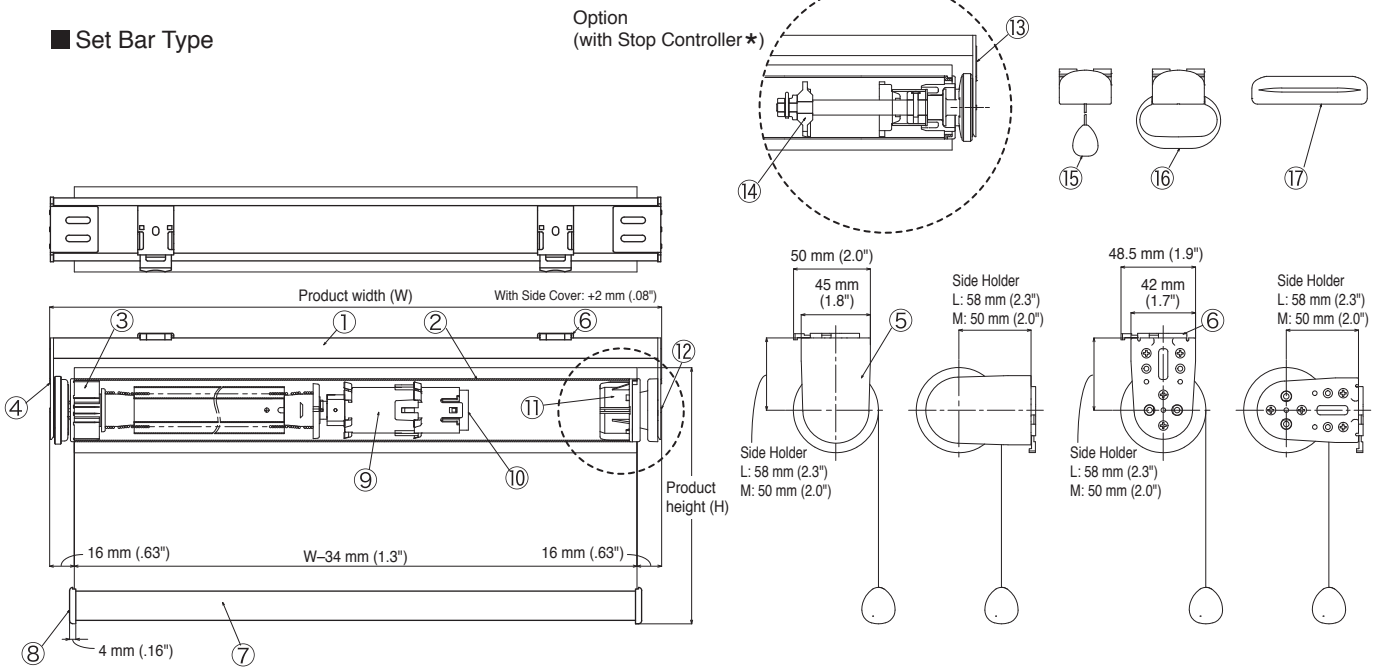
### Product View

\*Refer to 29 page for the Installation Dimension.

#### Side Bracket Type



#### Set Bar Type



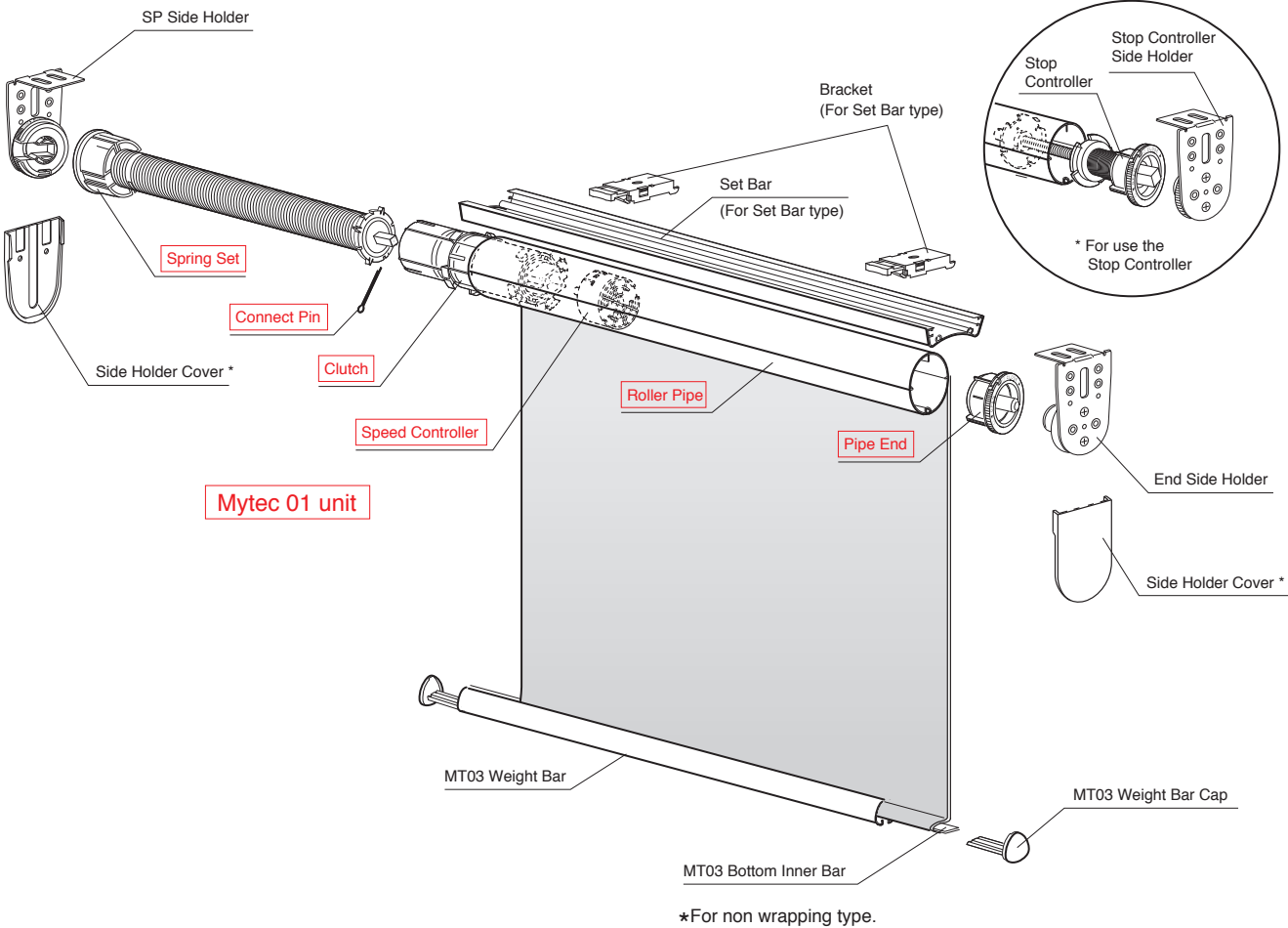
### Components and Materials

No.	Components	Material	No.	Components	Material	No.	Components	Material
①	Set Bar	Aluminum	⑦	MT03 Weight Bar	Aluminum	⑬	SC Side Holder S/M/L	Steel, Molded resin
②	Roller Pipe	Aluminum	⑧	MT03 Weight Bar Cap	Molded resin	⑭	Stop Controller	Molded resin
③	Spring Set	Steel, Molded resin	⑨	Clutch	Molded resin	⑮	MT03 Pull Ball Set	Molded resin
④	SP Side Holder S/M/L	Steel, Molded resin	⑩	Speed Controller	Molded resin	⑯	MT03 Pull Grip Set	Molded resin
⑤	Side Holder Cover S/M/L	Molded resin	⑪	Pipe End	Molded resin	⑰	MT03 Flat Grip Set	Molded resin
⑥	Bracket	Steel, Molded resin	⑫	End Side Holder S/M/L	Steel, Molded resin			

④ ⑤ ⑫ ⑬ : Use S/M for Side Bracket type, and use M/L for Set Bar type.

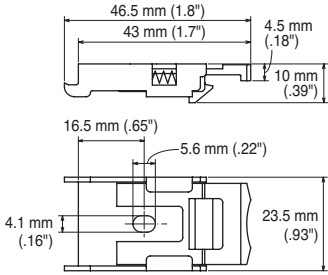
Exploded View

\* Selectable



Bracket

\* Set Bar type only.

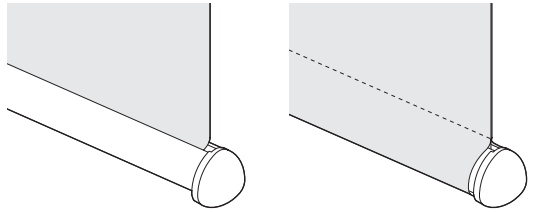


Product Width	Number of Bracket
1400 mm (55") or less	2
1410 mm (56") or more	3

Weight Bar

Non wrapping type

Wrapping type



Specifications

		Side Bracket Type (1 unit)	Set Bar Type
Maximum Screen Weight		1.8 kg (3.0 lb)	
Product Weight		1.9 kg (4.2 lb)	2.3 kg (5.1 lb)
(Width: 2000 mm/79" without screen) Ex.: Spring Set F, Side Holder M			
Allowable Size	Product Width (W)	300 mm (11.8") to 2000 mm (78.7") *	
	Product Height (H)	100 mm (3.9") to 3000 mm (118")	
	Ratio (W : H)	1 : 3 (limit)	

Notes: Regarding allowable size (W, H, Ratio), depending on material and weight, the screen may get wrinkled, curled or frayed.

Maximum Screen Weights are different according to the screen material.

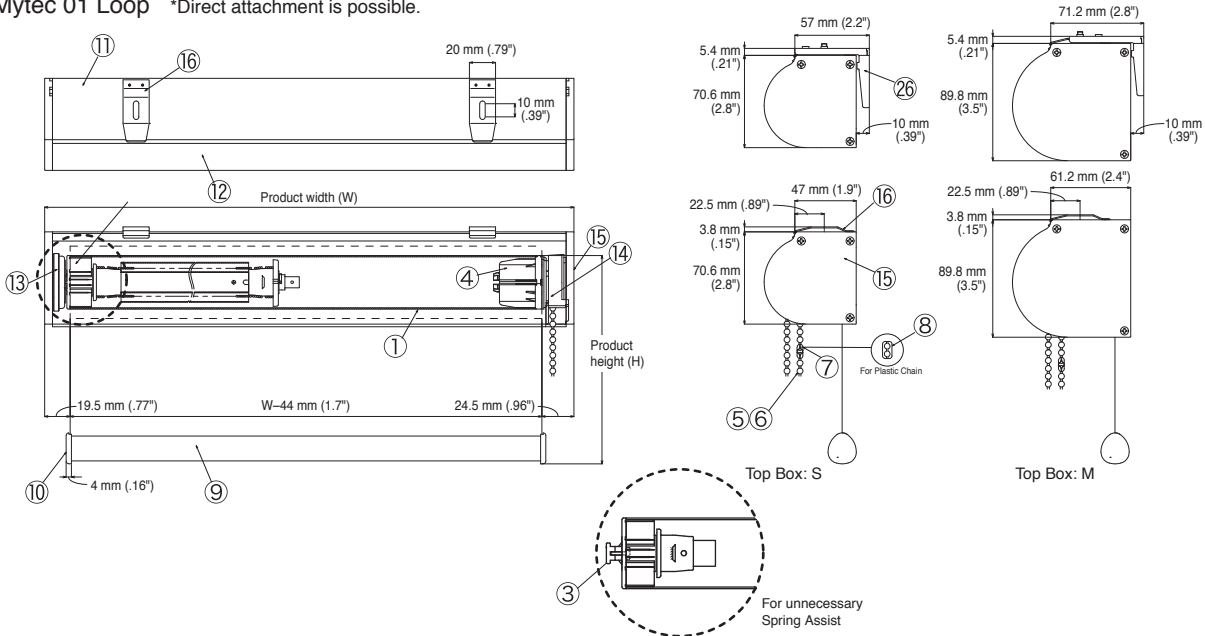
\*Minimum width is 600 mm (23.6") at Stop Controller using. (Depend on the screen.)

## Structure Drawing—Mytec 01 Loop and Mytec 01 / Top Box Type (Option)

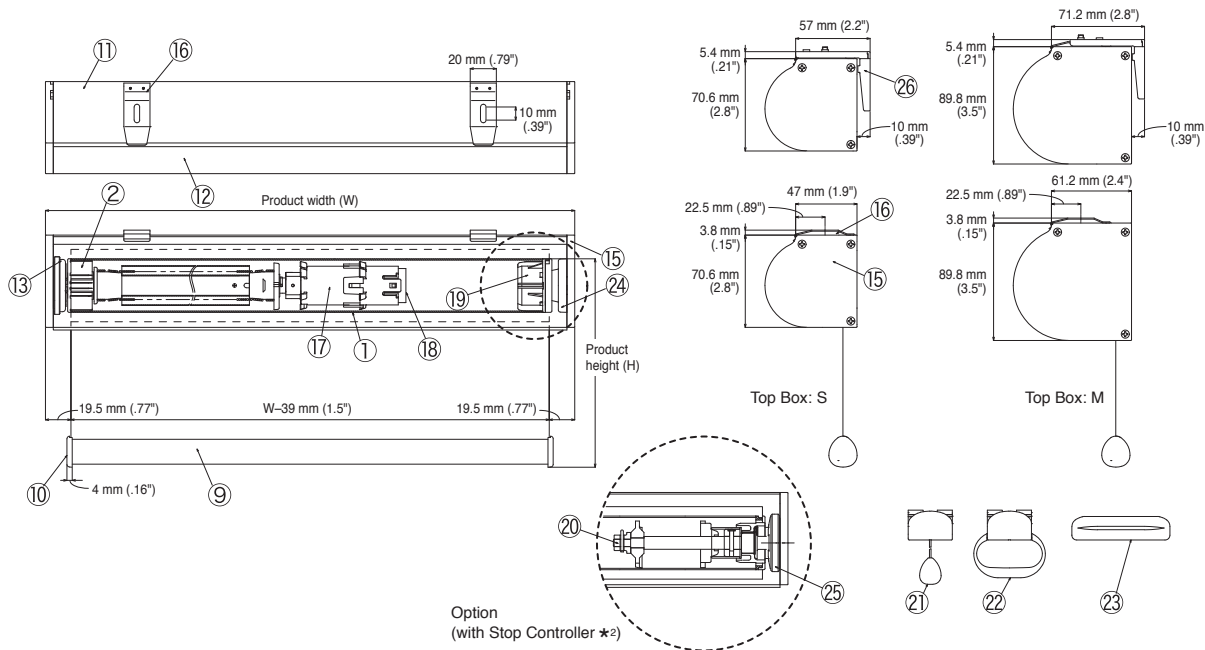
Product View

\*Refer to 31 page for the Installation Dimension.

### Mytec 01 Loop \*Direct attachment is possible.



### Mytec 01 \*Direct attachment is possible.



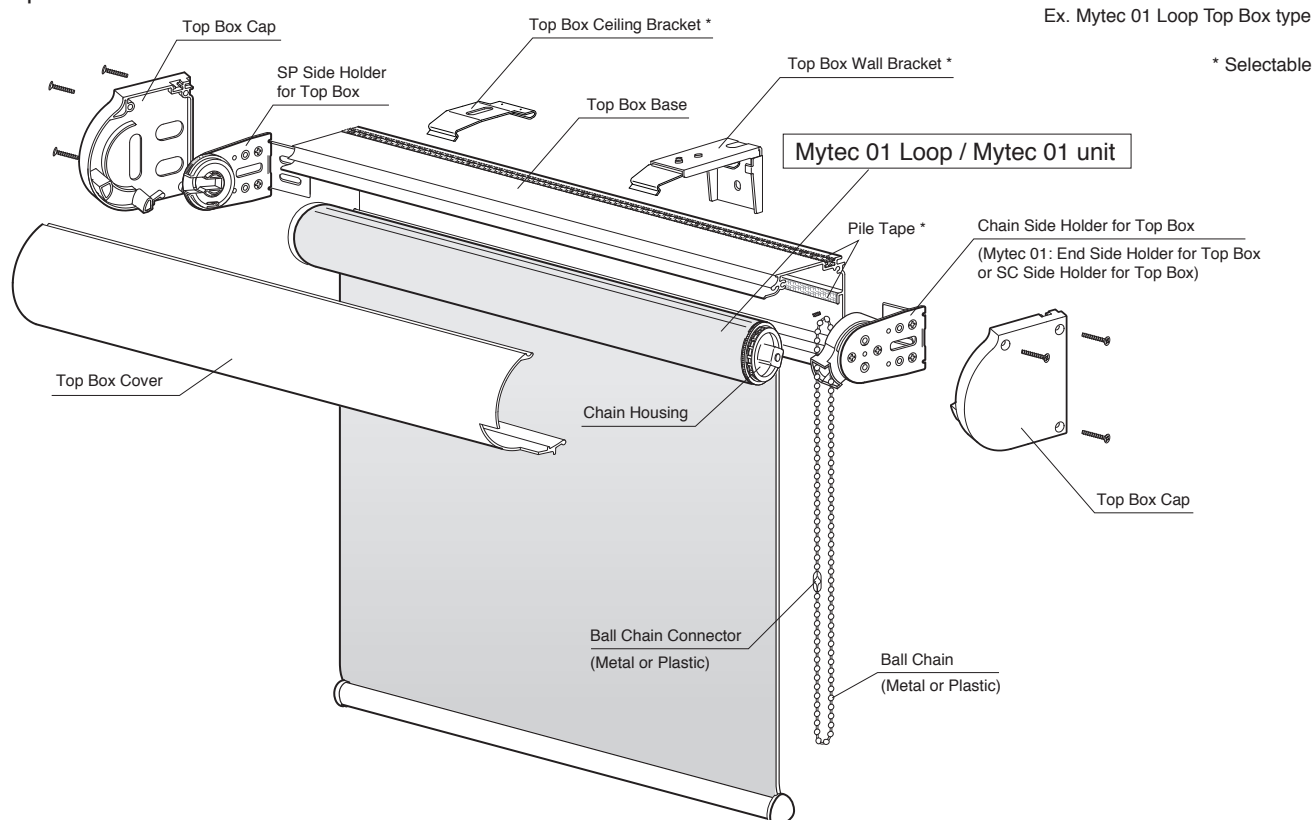
## Components and Materials

No.	Components	Material
①	Roller Pipe	Aluminum
②	Spring Set	Steel, Molded resin
③	Non-balancer Set	Steel, Molded resin
④	Chain Housing	Steel, Molded resin
⑤	Metal Ball Chain	SUS or Brass
⑥	Plastic Ball Chain	Molded resin
⑦	Metal Ball Chain Connector	SUS or Brass
⑧	Plastic Ball Chain Joints	Molded resin
⑨	MT03 Weight Bar	Aluminum

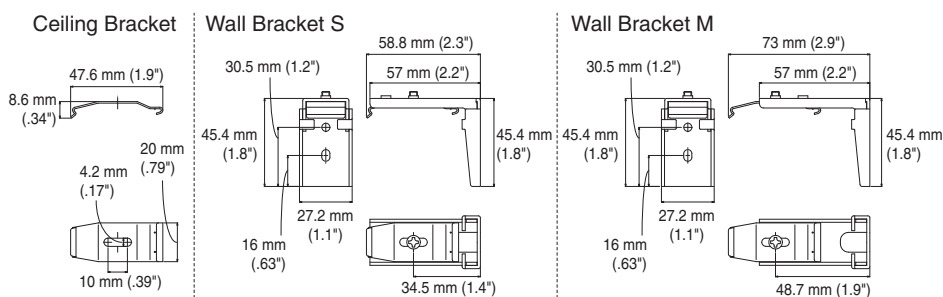
No.	Components	Material
⑩	MT03 Weight Bar Cap	Molded resin
⑪	Top Box Base Plate	Aluminum
⑫	Top Box Front Cover	Aluminum
⑬	SP Side Holder for Top Box S/M	Steel, Molded resin
⑭	Chain Side Holder for Top Box S/M	Steel, Molded resin
⑮	Top Box Cap (L/R) S/M	Molded resin
⑯	Top Box Ceiling Bracket	SUS
⑰	Clutch	Molded resin
⑱	Speed Controller	Molded resin

No.	Components	Material
⑲	Pipe End	Molded resin
⑳	Stop Controller	Molded resin
㉑	MT03 Pull Ball Set	Molded resin
㉒	MT03 Pull Grip Set	Molded resin
㉓	MT03 Flat Grip Set	Molded resin
㉔	End Side Holder for Top Box S/M	Molded resin
㉕	SC Side Holder for Top Box S/M	Molded resin
㉖	Top Box Wall Bracket	SUS, Steel

## Exploded View

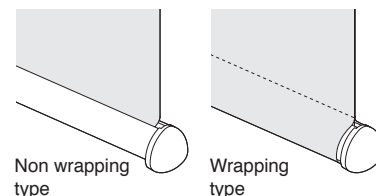


## Brackets



Product Width	Number of Bracket
1400 mm (55") or less	2
1410 mm (56") or more	3

## Weight Bar



## Specifications

		Metal Ball Chain	Plastic Ball Chain	Mytec 01 (Spring Drive System)
Maximum Screen Weight		3.7 kg (8.2 lb)	3.2 kg (7.1 lb)	1.8 kg (4.0 lb)
Product Weight		5.2 kg (11.4 lb)	5.0 kg (11.0 lb)	5.2 kg (11.4 lb)
		(Width: 2000 mm/79" without screen) Ex.: Spring Set F, Side Holder M—Ball Chain length is 3000 mm (118"), Top Box M		(Width: 2000 mm/79" without screen) Ex.: Spring Set F, Side Holder M, Top Box M
Allowable Size	Product Width (W)	300 mm (11.8") to 2700 mm (106") * <sup>1</sup> * <sup>2</sup>		300 mm (11.8") to 2000 mm (78.7")
	Product Height (H)	100 mm (3.9") to 3000 mm (118")		
	Ratio (W : H)	1 : 3 (limit)		

Notes: Regarding allowable size (W, H, Ratio), depending on material and weight, the screen may get wrinkled, curled or frayed.

Maximum Screen Weights are different according to the screen material.

\*<sup>1</sup> Please use Roller Pipe 45 mm DIA for W=2,010 mm (79.1") or more.

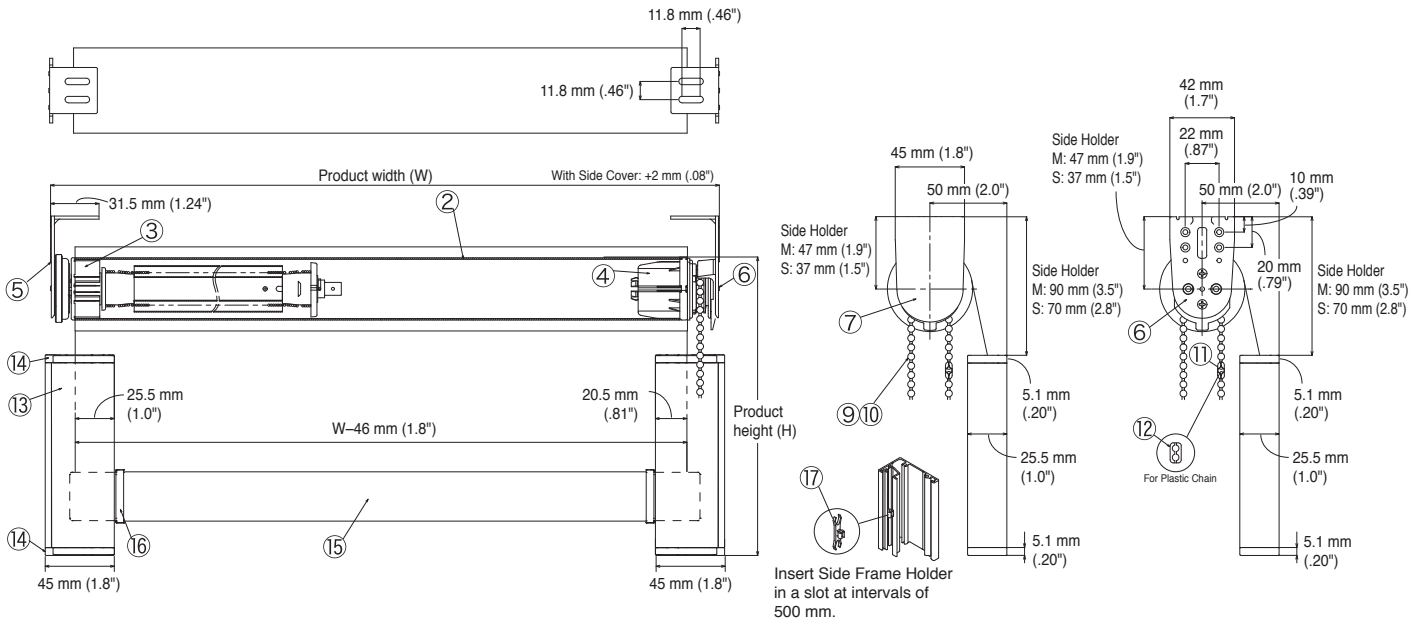
\*<sup>2</sup> Minimum width is 600 mm (23.6") at Stop Controller using. (Depend on the screen.)

## Structure Drawing—Mytec 01 Loop / Side Frame Type (Option)

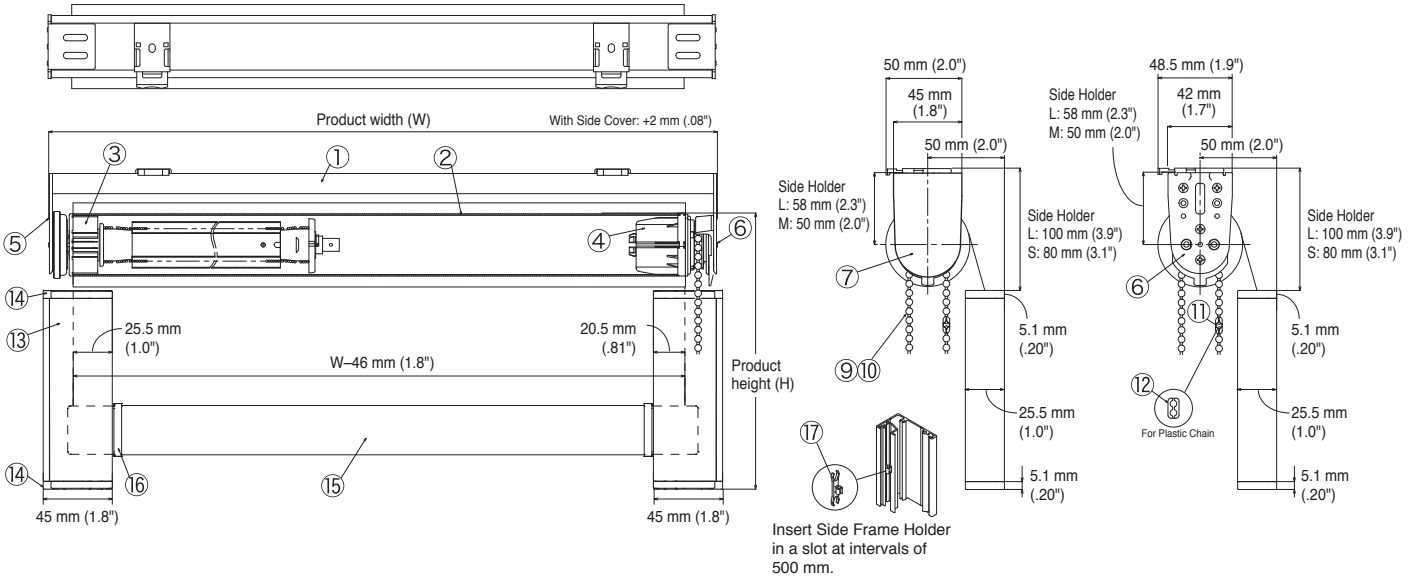
### Product View

\*Refer to 29 page for the Installation Dimension.

#### ■ Mytec 01 Loop / Side Bracket Type \*Ceiling attachment only.



#### ■ Mytec 01 Loop / Set Bar Type \*Ceiling attachment only.



### Components and Materials

No.	Components	Material
①	Set Bar	Aluminum
②	Roller Pipe	Aluminum
③	Spring Set	Steel, Molded resin
④	Chain Housing	Steel, Molded resin
⑤	SP Side Holder S/M/L	Steel, Molded resin
⑥	Chain Side Holder S/M/L	Steel, Molded resin
⑦	Side Holder Cover S/M/L	Molded resin

No.	Components	Material
⑧	Bracket	Steel, Molded resin
⑨	Metal Ball Chain	SUS or Brass
⑩	Plastic Ball Chain	Molded resin
⑪	Metal Ball Chain Connector	SUS or Brass
⑫	Plastic Ball Chain Joints	Molded resin

No.	Components	Material
⑬	Side Frame Base/Cover	Aluminum
⑭	Side Frame Cap	Molded resin
⑮	Weight Bar for Side Frame	Aluminum
⑯	Weight Bar Cap for Side Frame	Molded resin
⑰	Side Frame Holder	Molded resin

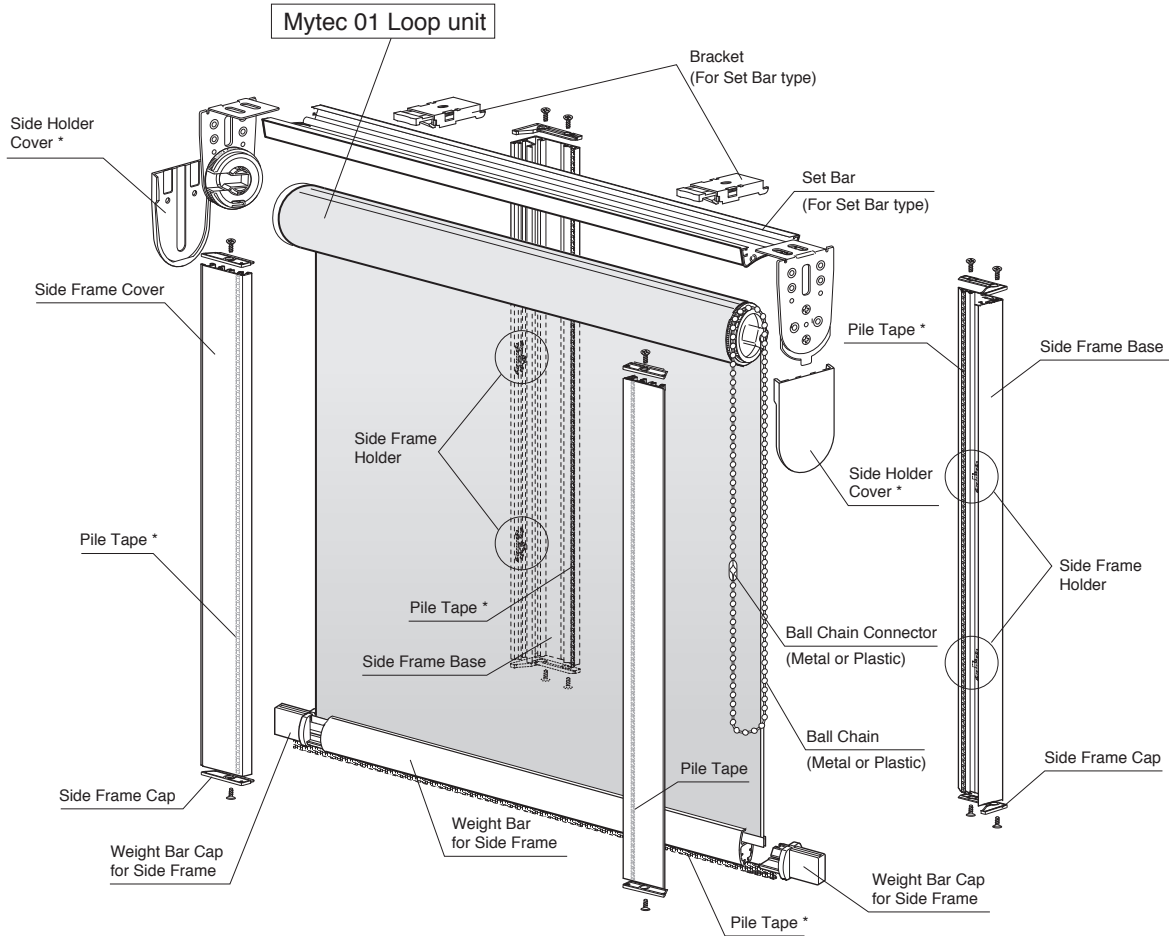
⑤⑥⑦ : Use S/M for Side Bracket type, and use M/L for Set Bar type.



Exploded View

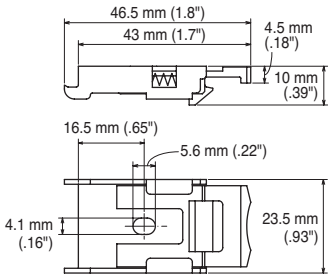
Ex. Mytec 01 Loop Side Frame type

\* Selectable



Bracket

\*Set Bar type only.



Product Width	Number of Bracket
1400 mm (55") or less	2
1410 mm (56") or more	3

Specifications

		Metal Ball Chain	Plastic Ball Chain
Maximum Screen Weight		3.7 kg (8.2 lb)	3.2 kg (7.1 lb)
Product Weight		2.4 kg (5.3 lb)	2.3 kg (5.1 lb)
(Width: 2000 mm/79" without screen) Ex.: Spring Set F, Side Holder M, Ball Chain length is 3000 mm (118") Side Frame length is 3000 mm (118")			
Allowable Size	Product Width (W)	300 mm (11.8") to 2700 mm (106") *	
	Product Height (H)	100 mm (3.9") to 3000 mm (118")	
	Ratio (W : H)	1 : 3 (limit)	

Notes: Regarding allowable size (W, H, Ratio), depending on material and weight, the screen may get wrinkled, curled or frayed.

Maximum Screen Weights are different according to the screen material.

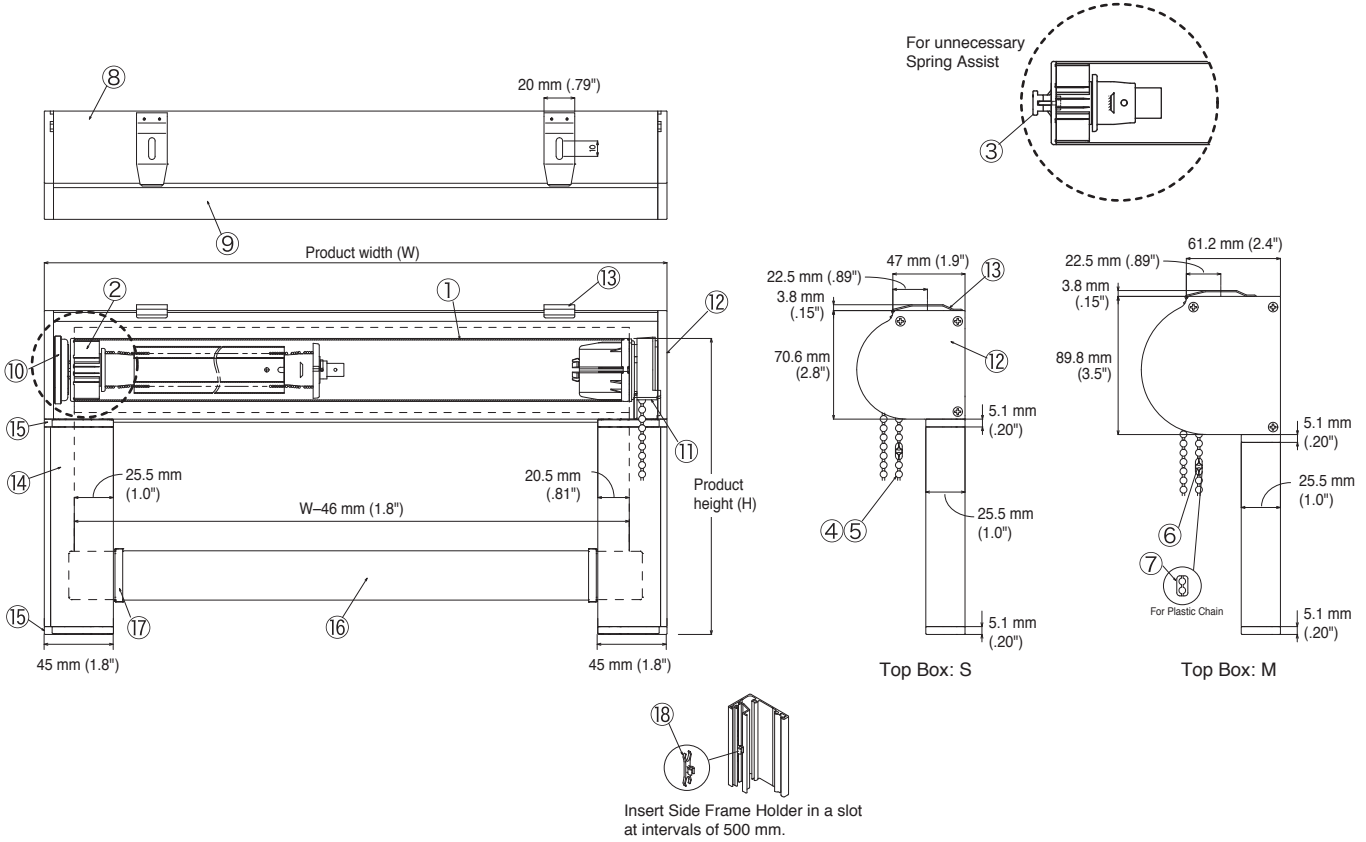
\*Please use Roller Pipe 45 mm DIA for W=2,010 mm (79.1") or more.

## Structure Drawing—Mytec 01 Loop / Top Box +Side Frame Type (Option)

Product View

\*Refer to 31 page for the Installation Dimension.

■ Mytec 01 Loop \*Direct attachment is possible.



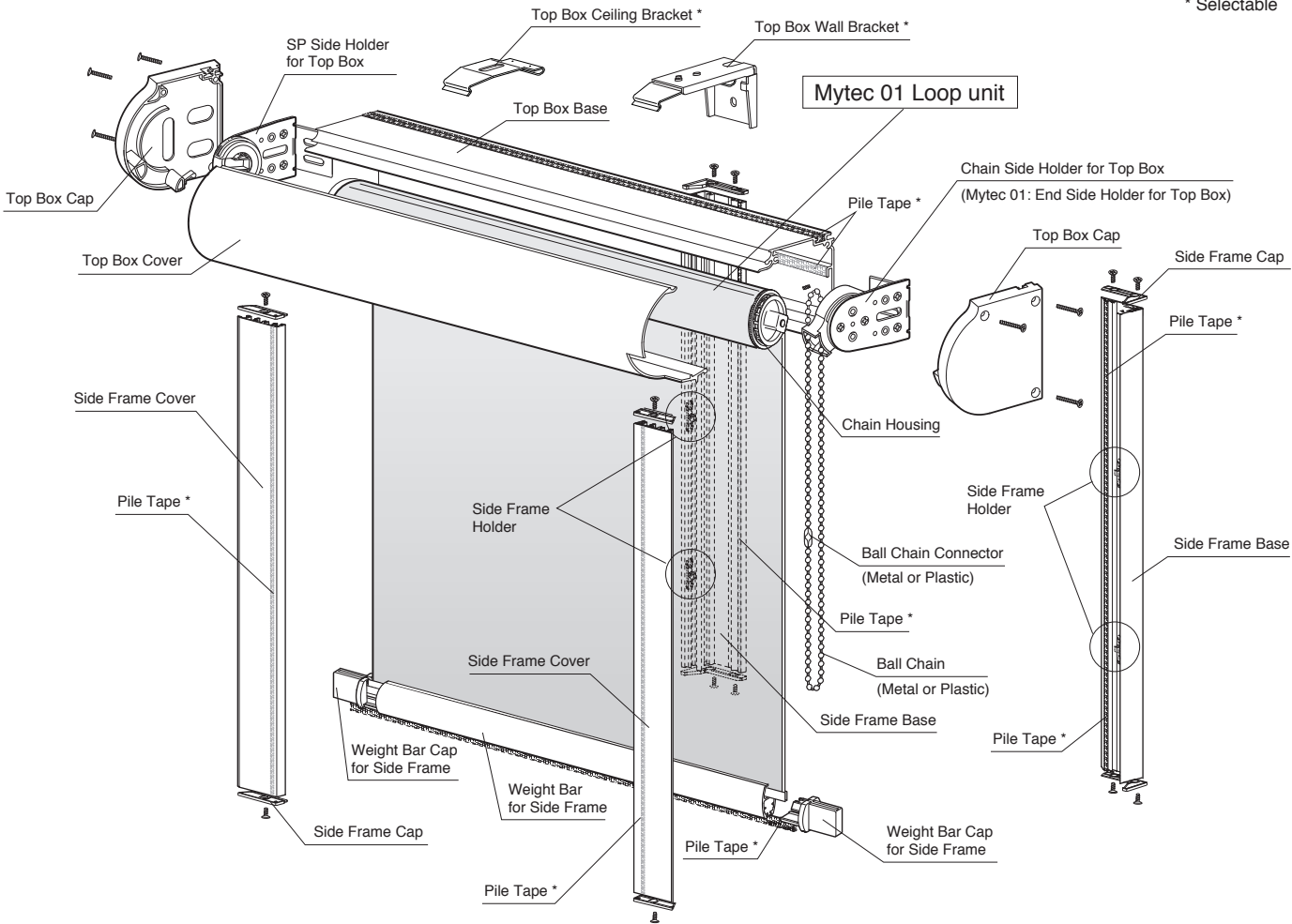
### Components and Materials

No.	Components	Material
①	Roller Pipe	Aluminum
②	Spring Set	Steel, Molded resin
③	Non-Balancer Set	Steel, Molded resin
④	Metal Ball Chain	SUS or Brass
⑤	Plastic Ball Chain	Molded resin
⑥	Metal Ball Chain Connector	SUS or Brass

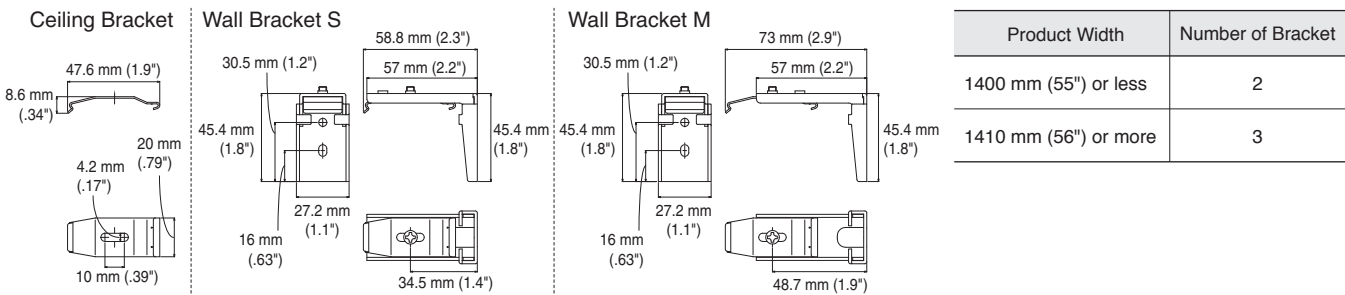
No.	Components	Material
⑦	Plastic Ball Chain Joints	Molded resin
⑧	Top Box Base Plate	Aluminum
⑨	Top Box Front Cover	Aluminum
⑩	SP Side Holder for Top Box S/M	Steel, Molded resin
⑪	Chain Side Holder for Top Box S/M	Steel, Molded resin
⑫	Top Box Cap (L/R) S/M	Molded resin

No.	Components	Material
⑬	Top Box Ceiling Bracket	SUS
⑭	Side Frame Base/Cover	Aluminum
⑮	Side Frame Cap	Molded resin
⑯	Weight Bar for Side Frame	Aluminum
⑰	Weight Bar Cap for Side Frame	Molded resin
⑱	Side Frame Holder	Molded resin

Exploded View



Brackets



Specifications

		Metal Ball Chain	Plastic Ball Chain
Maximum Screen Weight		3.7 kg (8.2 lb)	3.2 kg (7.1 lb)
	Product Weight	7.6 kg (16.7 lb)	7.5 kg (16.5 lb)
(Width: 2000 mm/79" without screen) Ex.: Spring Set F, Side Holder M—Ball Chain length is 3000 mm (118") Top Box M—Side Frame length is 3000 mm (118")			
Allowable Size	Product Width (W)	300 mm (11.8") to 2700 mm (106") *	
	Product Height (H)	100 mm (3.9") to 3000 mm (118")	
	Ratio (W : H)	1 : 3 (limit)	

Notes: Regarding allowable size (W, H, Ratio), depending on material and weight, the screen may get wrinkled, curled or frayed.

Maximum Screen Weights are different according to the screen material.

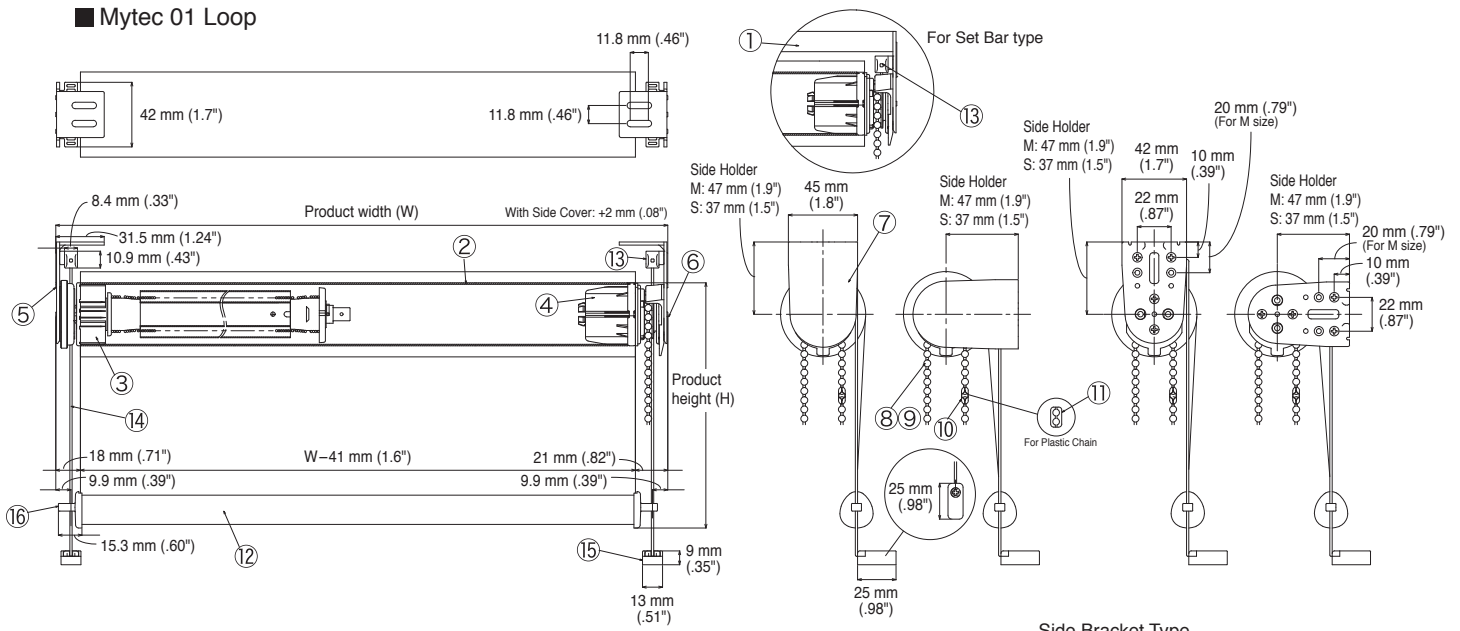
\*Please use Roller Pipe 45 mm DIA for W=2,010 mm (79.1") or more.

## Structure Drawing—Mytec 01 Loop / Guide Wire Type (Option)

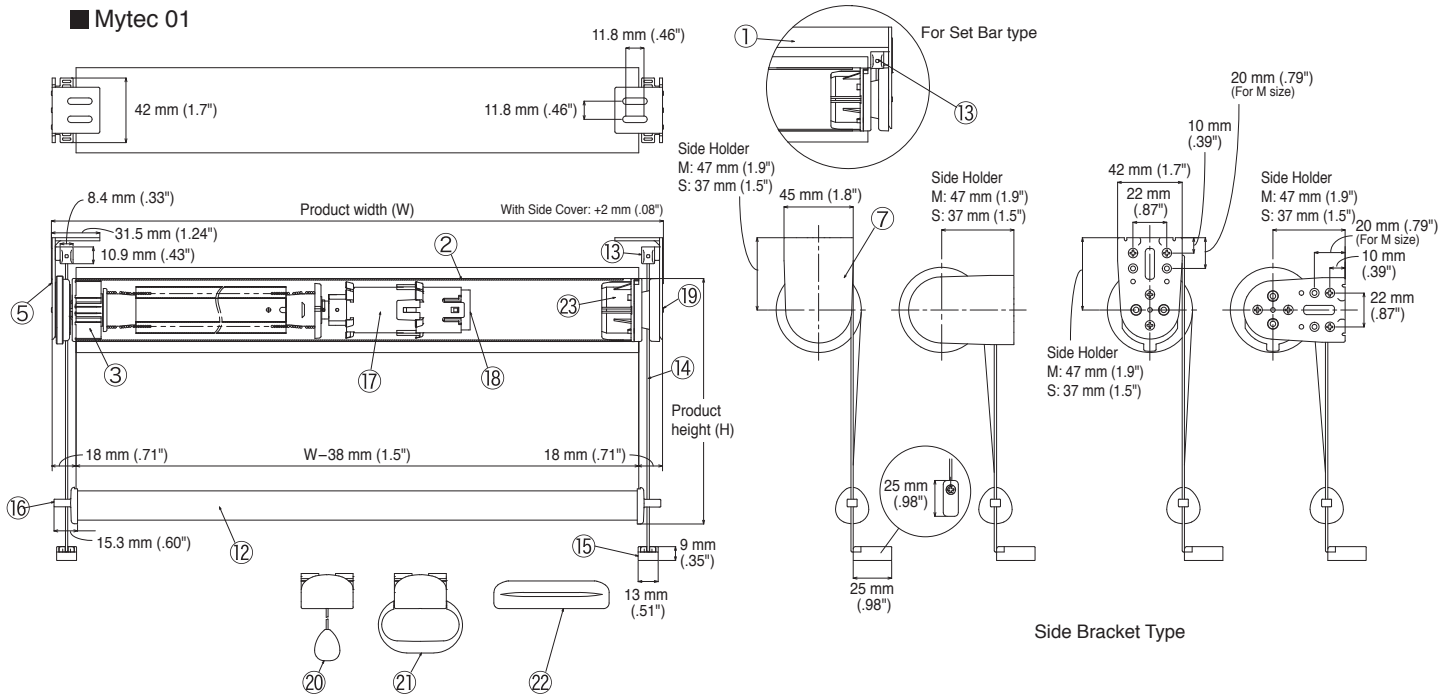
### Product View

\*Refer to 29 page for the Installation Dimension.

#### Mytec 01 Loop



#### Mytec 01



### Components and Materials

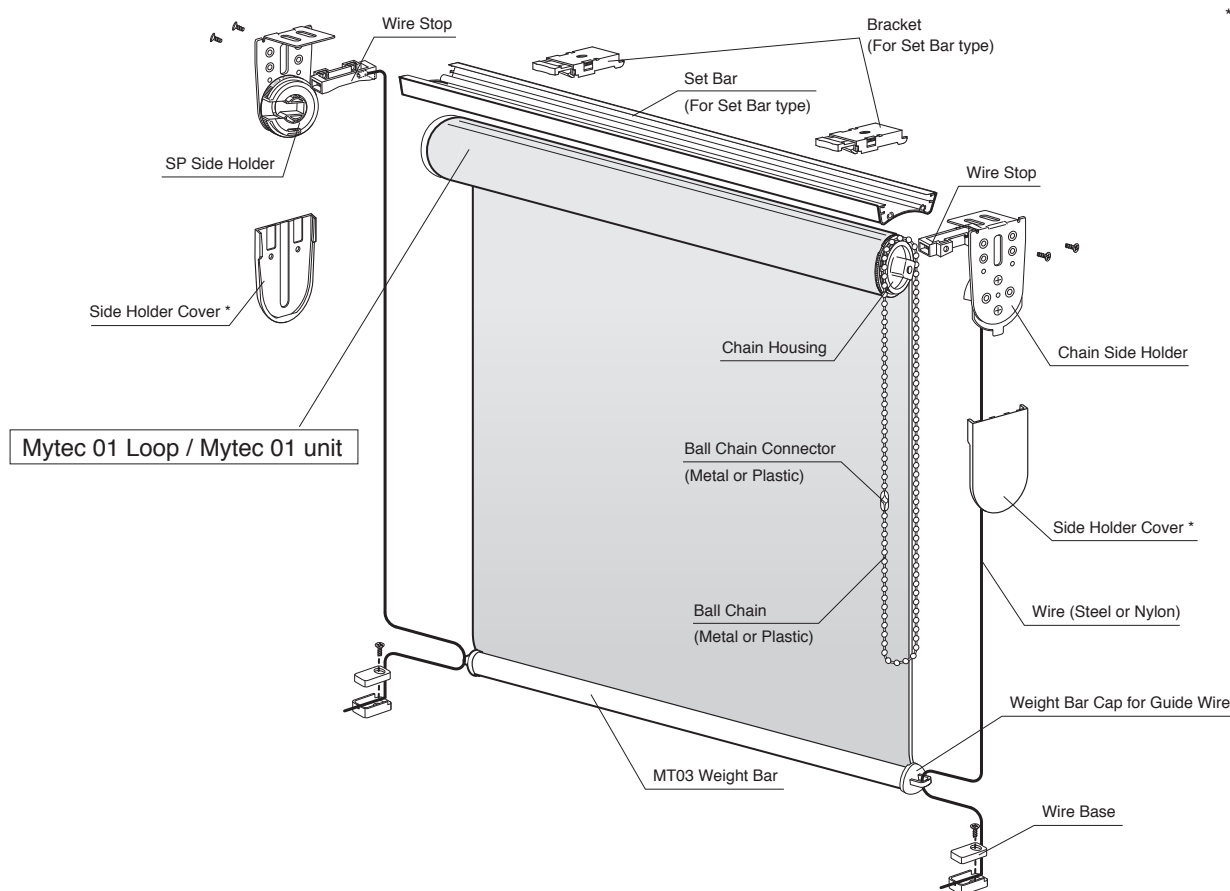
No.	Components	Material	No.	Components	Material	No.	Components	Material
①	Set Bar	Aluminum	⑨	Plastic Ball Chain	Molded resin	⑰	Clutch	Molded resin
②	Roller Pipe	Aluminum	⑩	Metal Ball Chain Connector	SUS or Brass	⑱	Speed Controller	Molded resin
③	Spring Set	Steel, Molded resin	⑪	Plastic Ball Chain Joints	Molded resin	⑲	End Side Holder S/M/L	Steel, Molded resin
④	Chain Housing	Steel, Molded resin	⑫	MT03 Weight Bar	Aluminum	⑳	MT03 Pull Ball Set	Molded resin
⑤	SP Side Holder S/M/L	Steel, Molded resin	⑬	Wire Stop	Molded resin	㉑	MT03 Pull Grip Set	Molded resin
⑥	Chain Side Holder S/M/L	Steel, Molded resin	⑭	Wire	Nylon or Steel	㉒	MT03 Flat Grip Set	Molded resin
⑦	Side Holder Cover S/M/L	Molded resin	⑮	Wire Base	Molded resin	㉓	Pipe End	Molded resin
⑧	Metal Ball Chain	SUS or Brass	⑯	Weight Bar Cap for Guide Wire	Molded resin			

⑤⑥⑦⑱: Use S/M for Side Bracket type, and use M/L for Set Bar type.

## Exploded View

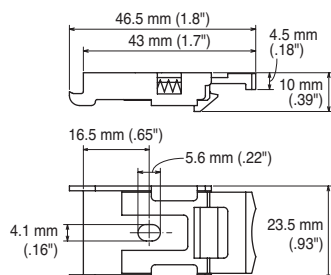
Ex. Mytec 01 Loop Guide Wire type

\* Selectable



## Bracket

\*Set Bar type only.

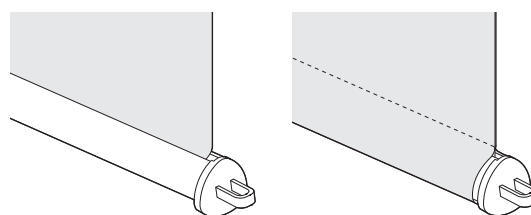


Product Width	Number of Bracket
1400 mm (55") or less	2
1410 mm (56") or more	3

## Weight Bar

Non wrapping type

Wrapping type



## Specifications

	Mytec 01 Loop (Metal Ball Chain)		Mytec 01 Loop (Plastic Ball Chain)		Mytec 01 (Spring Drive System)		
	Side Bracket Type	Set Bar Type	Side Bracket Type	Set Bar Type	Side Bracket Type	Set Bar Type	
Maximum Screen Weight	3.7 kg (8.2 lb)		3.2 kg (7.1 lb)		1.8 kg (4.0 lb)		
Product Weight	1.9 kg (4.2 lb)	2.3 kg (5.1 lb)	1.8 kg (4.0 lb)	2.2 kg (4.9 lb)	1.9 kg (4.2 lb)	2.3 kg (5.1 lb)	
	(Width: 2000 mm/79" without screen) Ex.: Spring Set F, Side Holder M—Ball Chain length is 3000 mm (118")				(Width: 2000 mm/79" without screen) Ex.: Spring Set F, Side Holder M,		
Allowable Size	Product Width (W)	300 mm (11.8") to 2700 mm (106") * <sup>1</sup> * <sup>2</sup>				300 mm (11.8") to 2000 mm (78.7")	
	Product Height (H)	100 mm (3.9") to 3000 mm (118")				100 mm (3.9") to 3000 mm (118")	
	Ratio (W : H)	1 : 3 (limit)				1 : 3 (limit)	

Notes: Regarding allowable size (W, H, Ratio), depending on material and weight, the screen may get wrinkled, curled or frayed.

Maximum Screen Weights are different according to the screen material.

\*<sup>1</sup> Please use Roller Pipe 45 mm DIA for W=2,010 mm (79.1") or more.

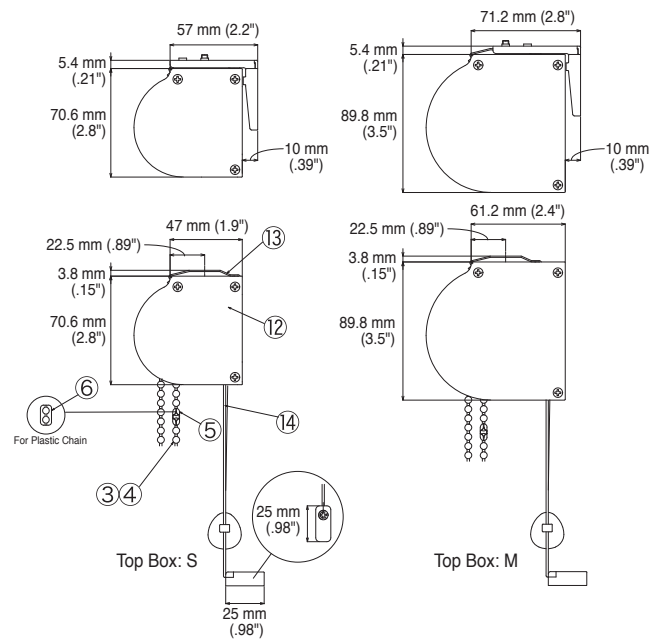
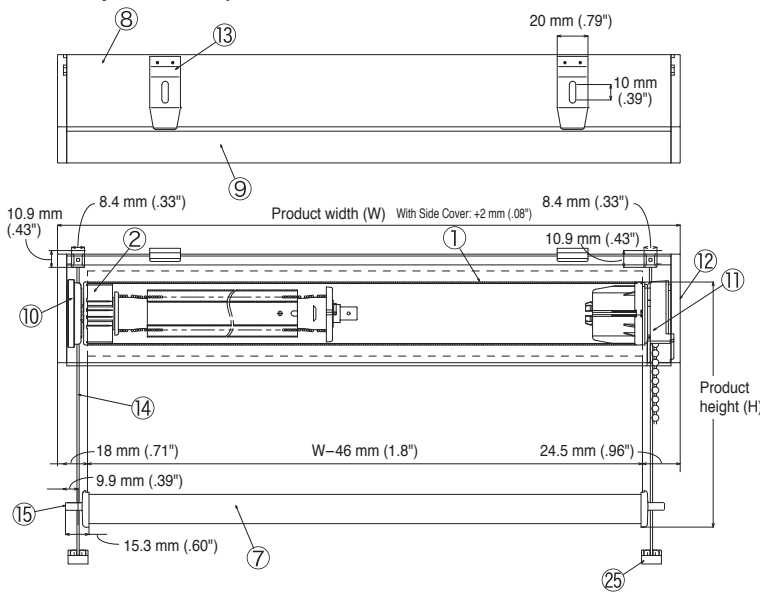
\*<sup>2</sup> Minimum width is 600 mm (23.6") at Stop Controller using. (Depend on the screen.)

## Structure Drawing—Mytec 01 Loop / Top Box + Guide Wire (Option)

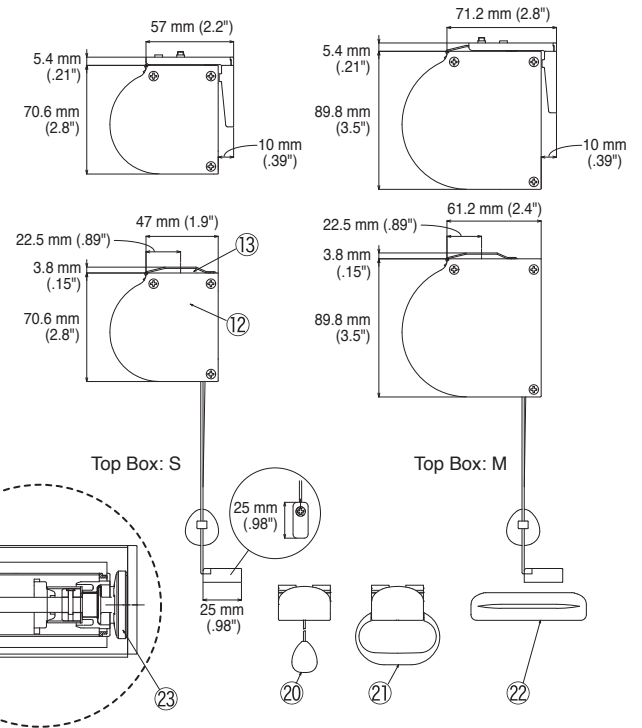
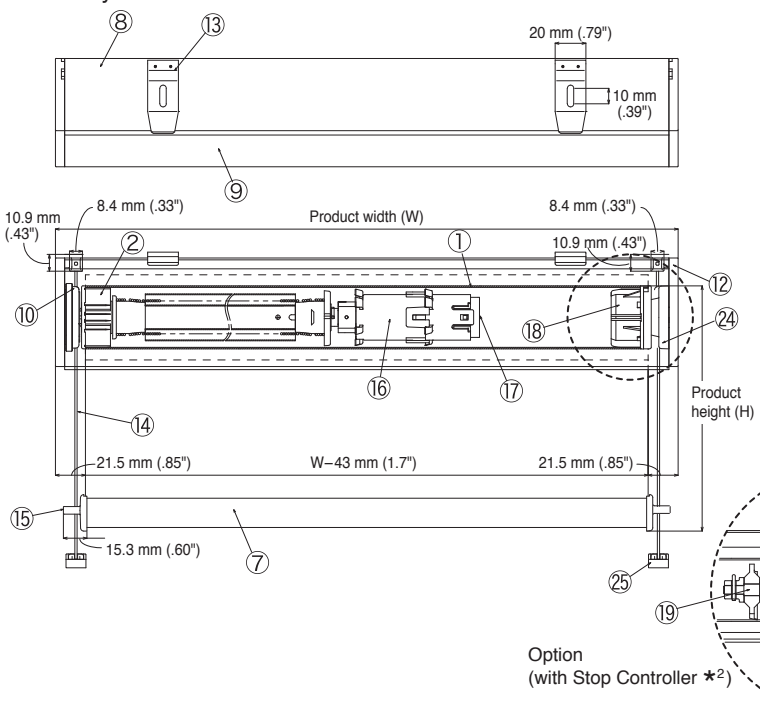
### Product View

\*Refer to 31 page for the Installation Dimension.

#### Mytec 01 Loop



#### Mytec 01



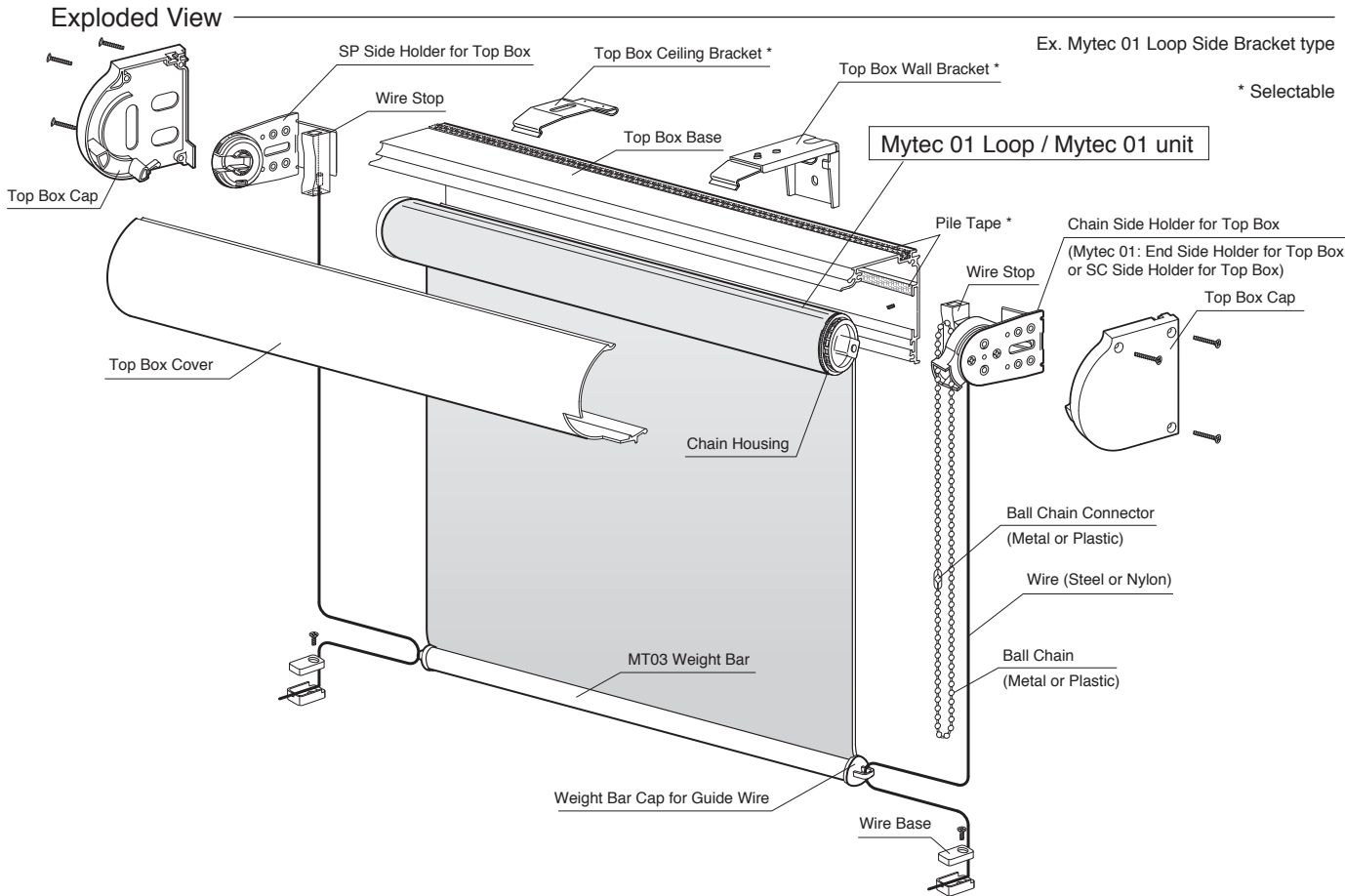
### Components and Materials

No.	Components	Material
①	Roller Pipe	Aluminum
②	Spring Set	Steel, Molded resin
③	Metal Ball Chain	SUS or Brass
④	Plastic Ball Chain	Molded resin
⑤	Metal Ball Chain Connector	SUS or Brass
⑥	Plastic Ball Chain Joints	Molded resin
⑦	MT03 Weight Bar	Aluminum
⑧	Top Box Base Plate	Aluminum
⑨	Top Box Front Cover	Aluminum

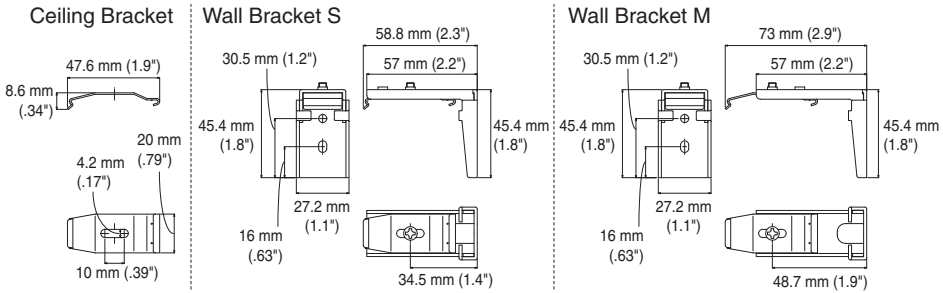
No.	Components	Material
⑩	SP Side Holder for Top Box S/M	Steel, Molded resin
⑪	Chain Side Holder for Top Box S/M	Steel, Molded resin
⑫	Top Box Cap (L/R) S/M	Molded resin
⑬	Top Box Ceiling Bracket	SUS
⑭	Wire	Nylon or Steel
⑮	Weight Bar Cap for Guide Wire	Molded resin
⑯	Clutch	Molded resin
⑰	Speed Controller	Molded resin

No.	Components	Material
⑱	Pipe End	Molded resin
⑲	Stop Controller	Molded resin
⑳	MT03 Pull Ball Set	Molded resin
㉑	MT03 Pull Grip Set	Molded resin
㉒	MT03 Flat Grip Set	Molded resin
㉓	SC Side Holder for Top Box S/M	Molded resin
㉔	End Side Holder for Top Box S/M	Molded resin
㉕	Wire Base	Molded resin

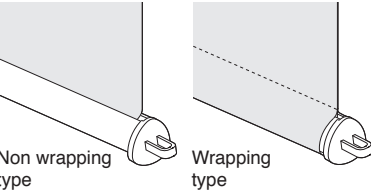




Brackets



Weight Bar



Product Width	Number of Bracket
1400 mm (55") or less	2
1410 mm (56") or more	3

Specifications

		Metal Ball Chain	Plastic Ball Chain	Mytec 01 (Spring Drive System)
Maximum Screen Weight		3.7 kg (8.2 lb)	3.2 kg (7.1 lb)	1.8 kg (4.0 lb)
Product Weight		5.2 kg (11.4 lb)	5.0 kg (11.0 lb)	5.2 kg (11.4 lb)
		(Width: 2000 mm/79" without screen) Ex.: Spring Set F, Side Holder M—Ball Chain length is 3000 mm (118"), Top Box M		(Width: 2000 mm/79" without screen) Ex.: Spring Set F, Side Holder M, Top Box M
Allowable Size	Product Width (W)	300 mm (11.8") to 2700 mm (106") *1 *2		300 mm (11.8") to 2000 mm (78.7")
	Product Height (H)	100 mm (3.9") to 3000 mm (118")		
	Ratio (W : H)	1 : 3 (limit)		

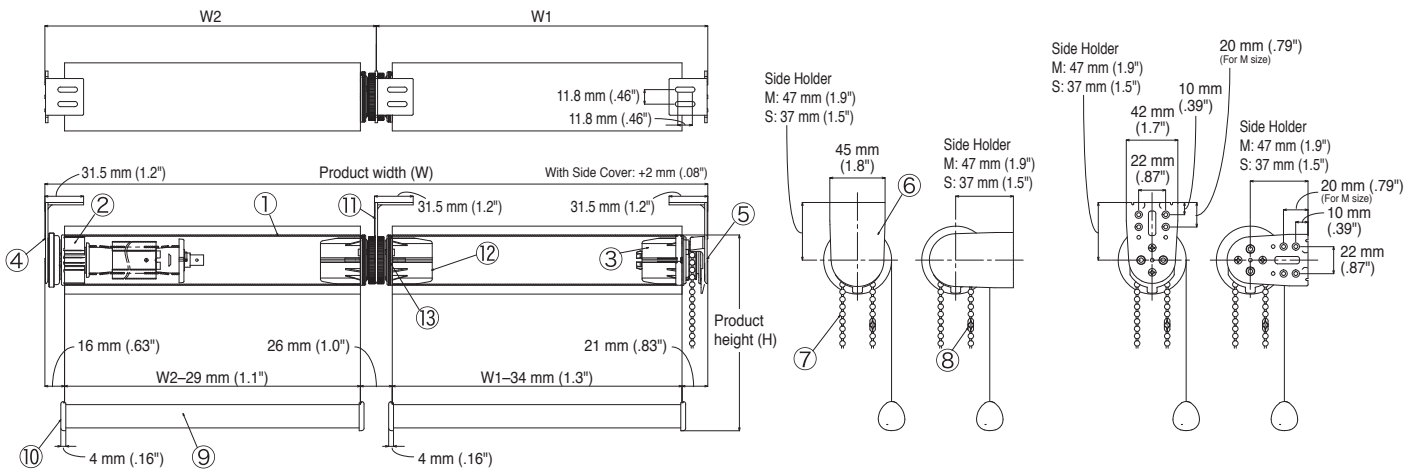
Notes: Regarding allowable size (W, H, Ratio), depending on material and weight, the screen may get wrinkled, curled or frayed. Maximum Screen Weights are different according to the screen material.  
 \*1 Please use Roller Pipe 45 mm DIA for W=2,010 mm (79.1") or more.  
 \*2 Minimum width is 600 mm (23.6") at Stop Controller using. (Depend on the screen.)

## Structure Drawing—Mytec 01 Loop / Link Type (Option)

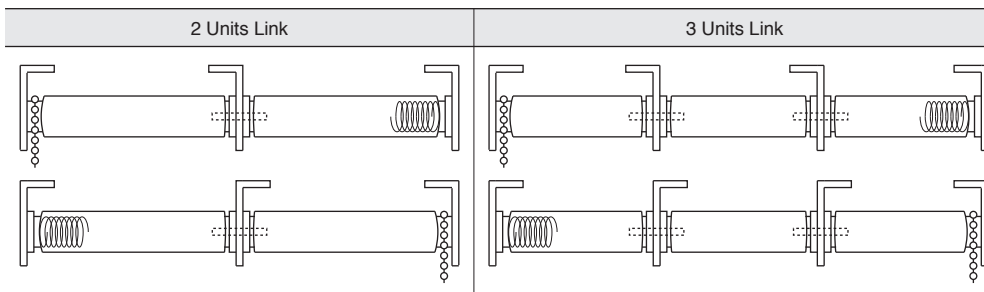
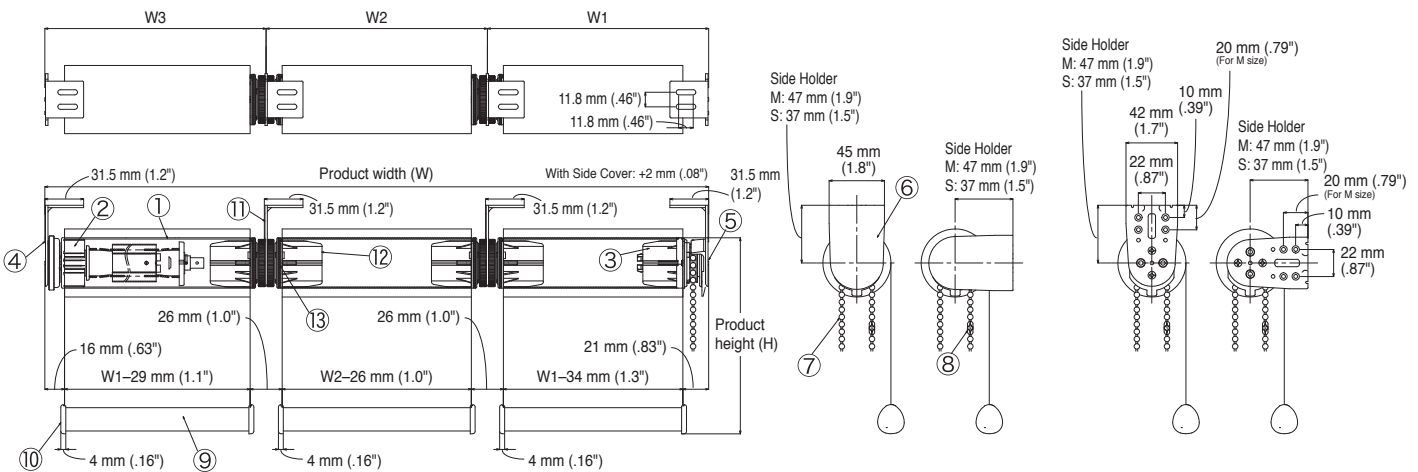
### Product View

\*Refer to 29 page for the Installation Dimension.

#### Side Bracket Type / 2 Units Link



#### Side Bracket Type / 3 Units Link



### Components and Materials

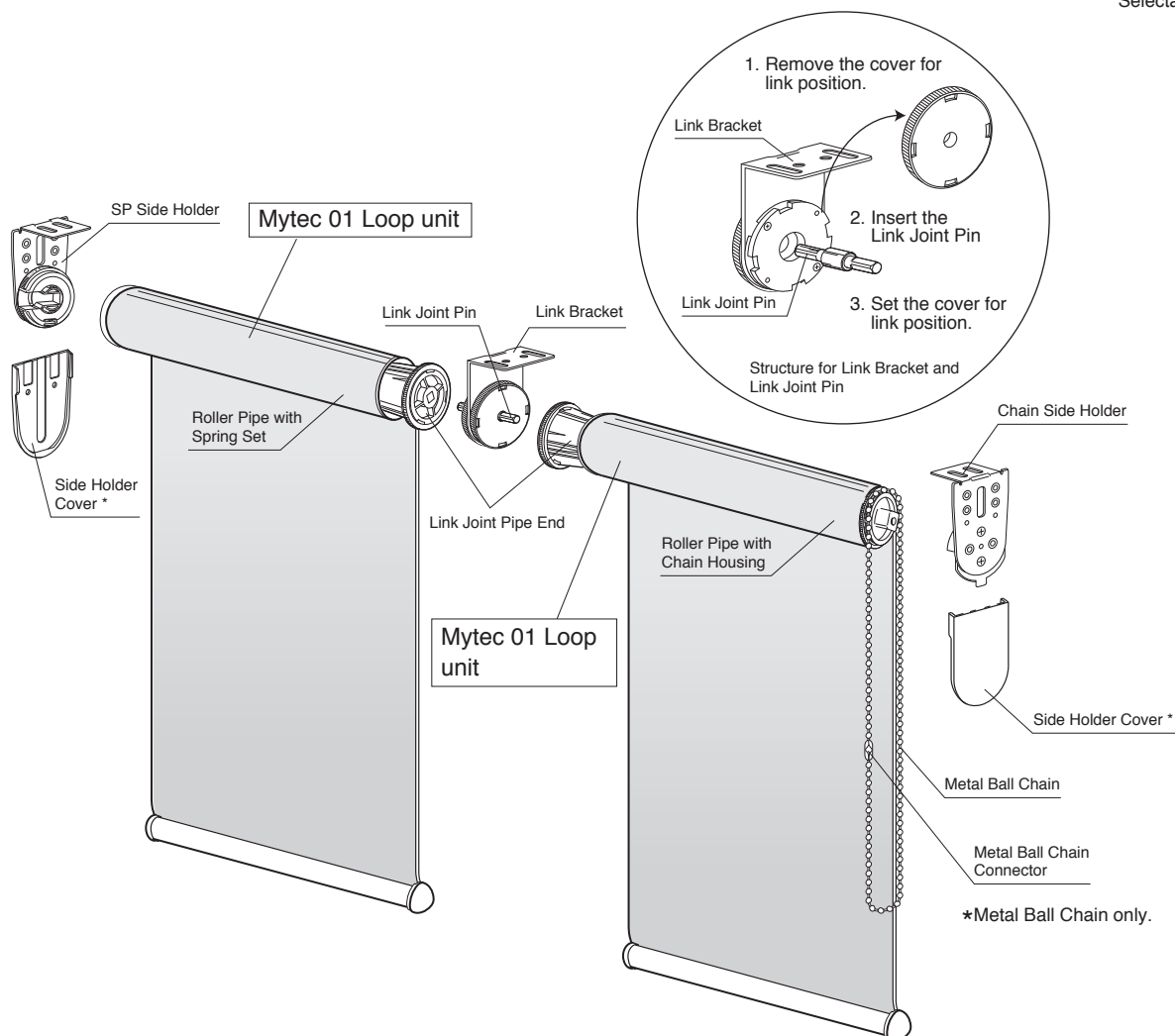
No.	Components	Material
①	Roller Pipe	Aluminum
②	Spring Set	Steel, Molded resin
③	Chain Housing	Steel, Molded resin
④	SP Side Holder S/M	Steel, Molded resin
⑤	Chain Side Holder S/M	Steel, Molded resin

No.	Components	Material
⑥	Side Holder Cover S/M	Molded resin
⑦	Metal Ball Chain	SUS or Brass
⑧	Metal Ball Chain Connector	SUS or Brass
⑨	MT03 Weight Bar	Aluminum

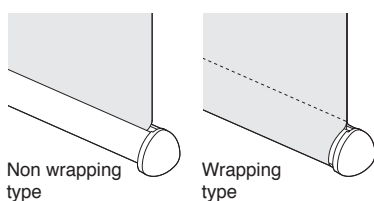
No.	Components	Material
⑩	MT03 Weight Bar Cap	Molded resin
⑪	Link Bracket S/M	Steel, Molded resin
⑫	Link Joint Pipe End	Molded resin
⑬	Link Joint Pin	Brass

## Exploded View

\* Selectable



## Weight Bar



## Specifications

		2 Units Link	3 Units Link
Maximum Screen Weight		5.7 kg (12.5 lb)	5.1 kg (11.2 lb)
Product Weight		2.0 kg (4.4 lb)	2.1 kg (4.6 lb)
(Width: 2000 mm/79" without screen) Ex.: Spring Set F, Side Holder M, Metal Ball Chain length is 3000 mm (118")			
Allowable Size	Product Width (W)	1000 mm (39.3") to 5000 mm (197") W1, W2 ≤ 2500 mm (98.4") *	1500 mm (59.1") to 4500 mm (177") W1, W2, W3 ≤ 1500 mm (59.1") Allowable for Roller Pipe 41 mm DIA
	Product Height (H)	100 mm (3.9") to 2500 mm (98.4")	
	Ratio (W : H)	1 : 3 (limit)	

Notes: Regarding allowable size (W, H, Ratio), depending on material and weight, the screen may get wrinkled, curled or frayed.

Maximum Screen Weights are different according to the screen material.

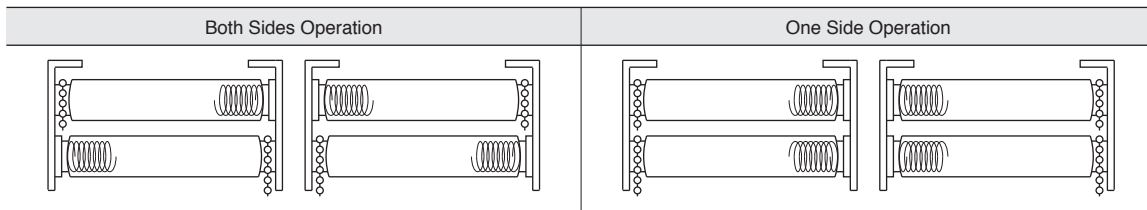
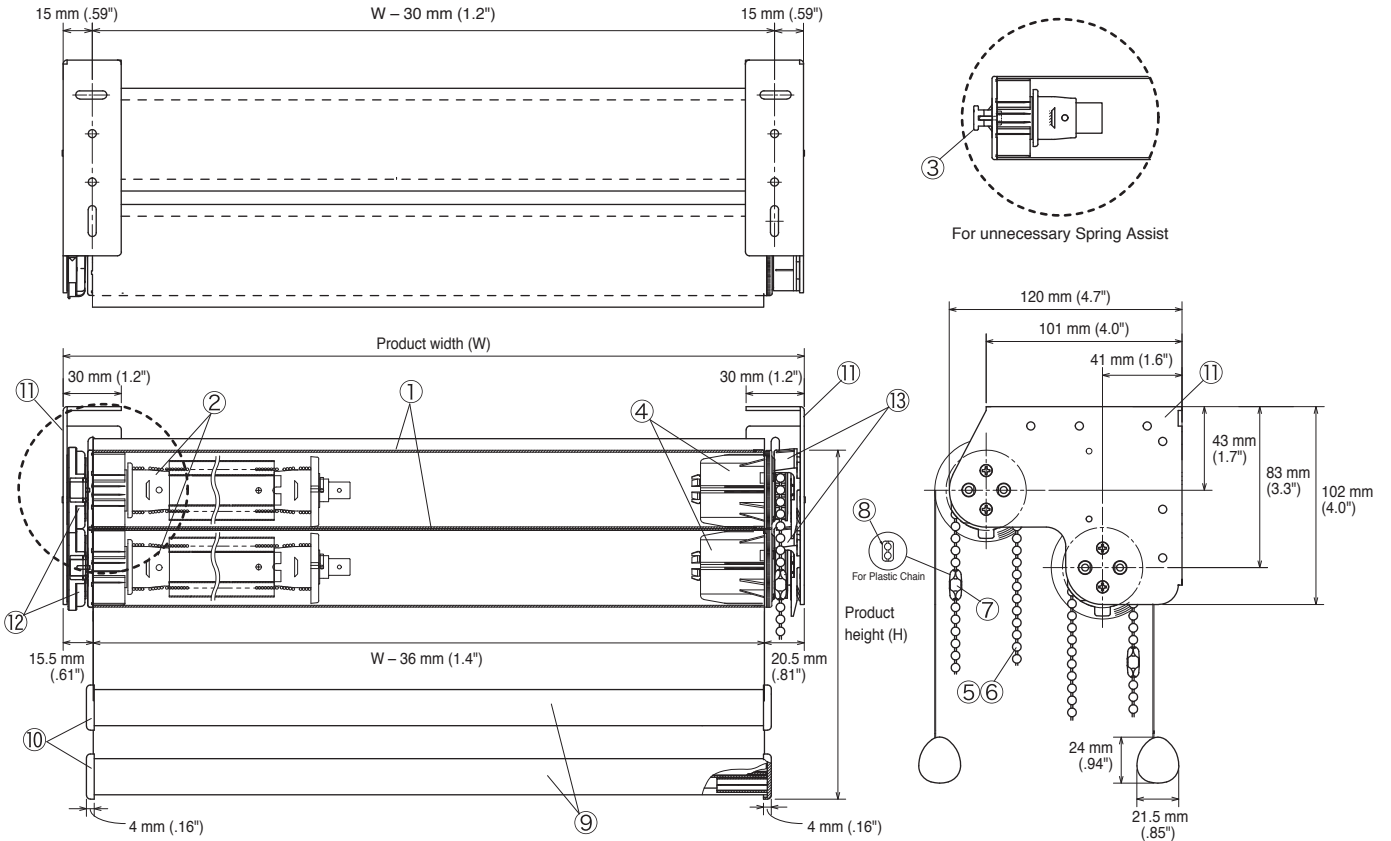
\*Please use Roller Pipe 45 mm DIA for W=2,010 mm (79.1") or more by 2 Unit Link.

Structure Drawing—Mytec 01 Loop / Double Type (Option)

Product View

\*Refer to 29 page for the Installation Dimension.

Side Bracket Type



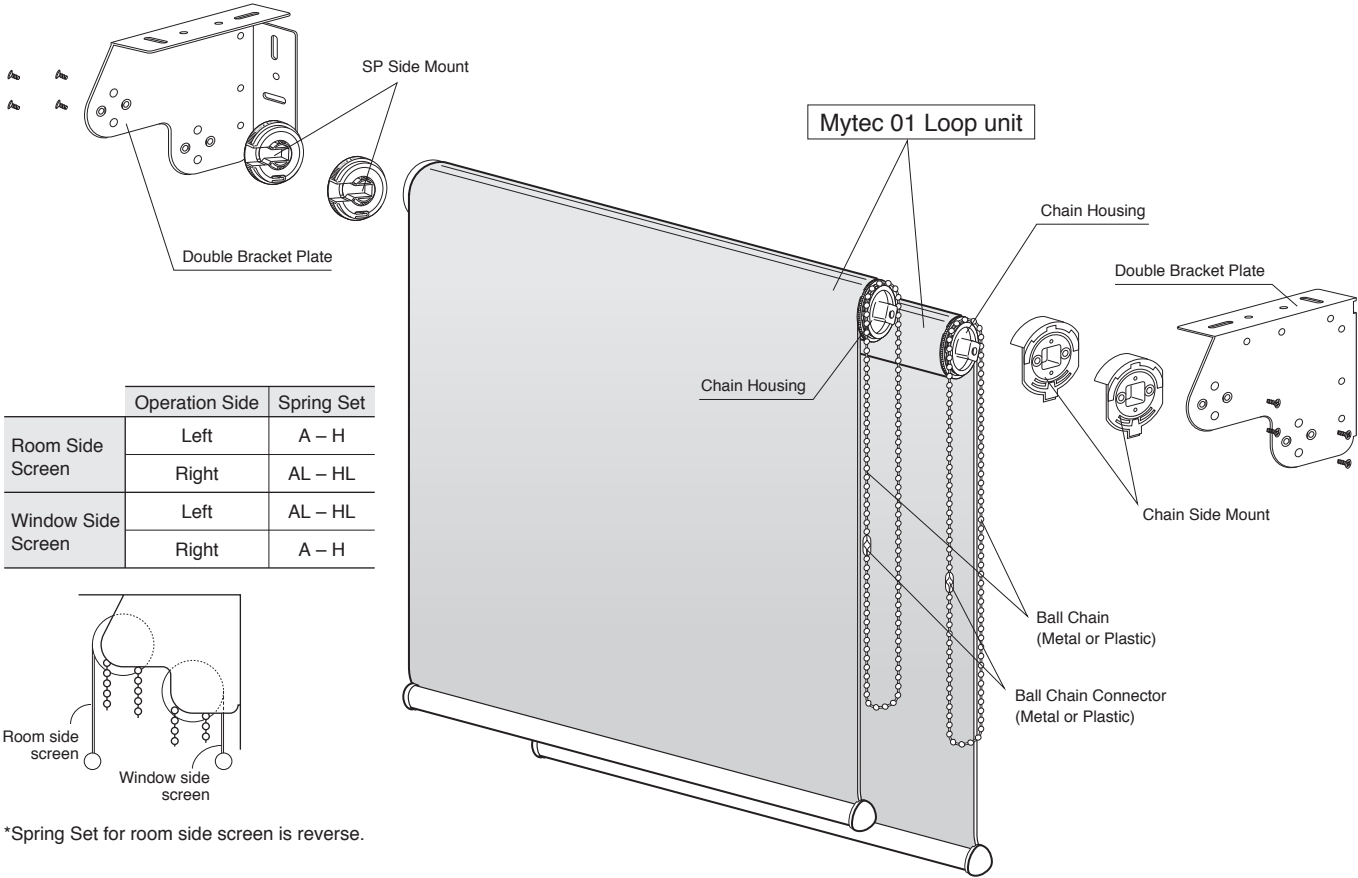
Components and Materials

No.	Components	Material
①	Roller Pipe	Aluminum
②	Spring Set	Steel, Molded resin
③	Non-Balancer Set	Steel, Molded resin
④	Chain Housing	Steel, Molded resin
⑤	Metal Ball Chain	SUS or Brass

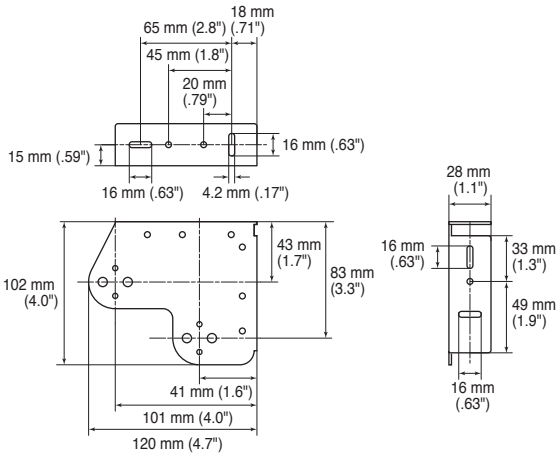
No.	Components	Material
⑥	Plastic Ball Chain	Molded resin
⑦	Metal Ball Chain Connector	SUS or Brass
⑧	Plastic Ball Chain Joints	Molded resin
⑨	MT03 Weight Bar	Aluminum

No.	Components	Material
⑩	MT03 Weight Bar Cap	Molded resin
⑪	Double Bracket Plate	Steel
⑫	SP Side Mount	Molded resin
⑬	Chain Side Mount	Molded resin

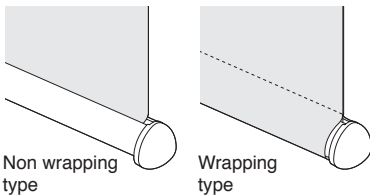
Exploded View



Bracket



Weight Bar



Specifications

		Double Type (1 unit)
Maximum Screen Weight		For Metal Ball Chain; 3.7 kg (8.2 lb), Plastic Ball Chain; 3.2 kg (7.1 lb), per screen
Product Weight		4.2 kg (9.3 lb) (Width: 2000 mm/79" without screen) Ex.: Spring Set F, Double Bracket Plate, Metal Ball Chain length is 3000 mm (118")
Allowable Size	Product Width (W)	300 mm (11.8") to 2700 mm (106") *
	Product Height (H)	100 mm (3.9") to 3000 mm (118")
	Ratio (W : H)	1 : 3 (limit)

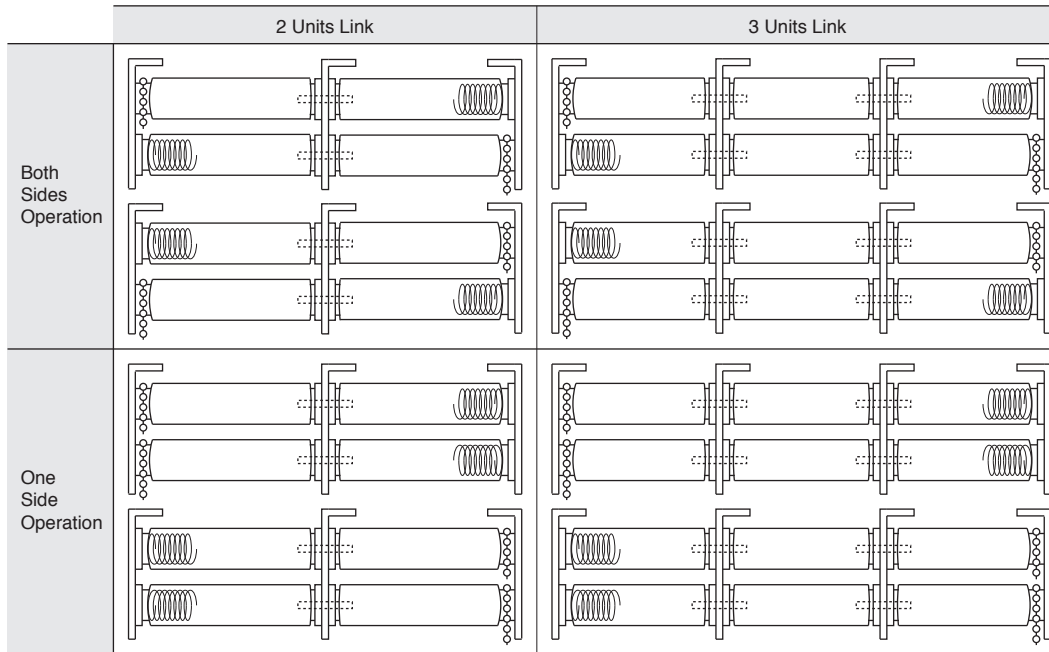
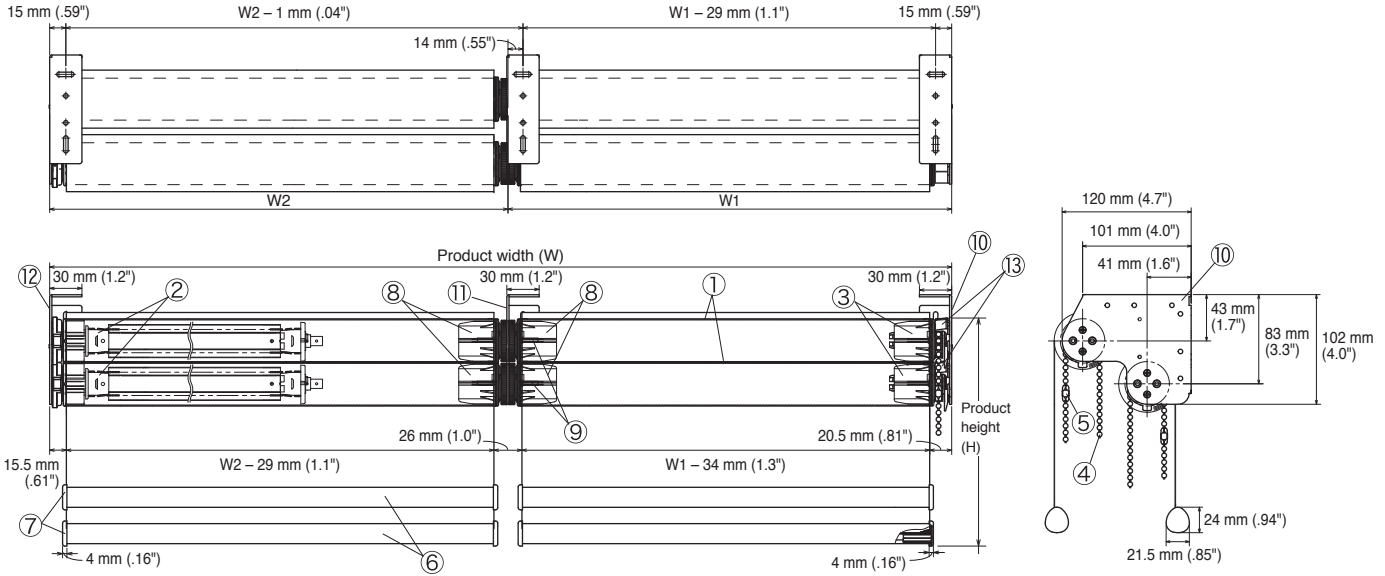
Notes: Regarding allowable size (W, H, Ratio), depending on material and weight, the screen may get wrinkled, curled or frayed.  
 Maximum Screen Weights are different according to the screen material.  
 \*Please use Roller Pipe 45 mm DIA for W=2,010 mm (79.1") or more.

## Structure Drawing—Mytec 01 Loop / Link Double Type (Option)

### Product View

\*Refer to 29 page for the Installation Dimension.

#### Side Bracket Type

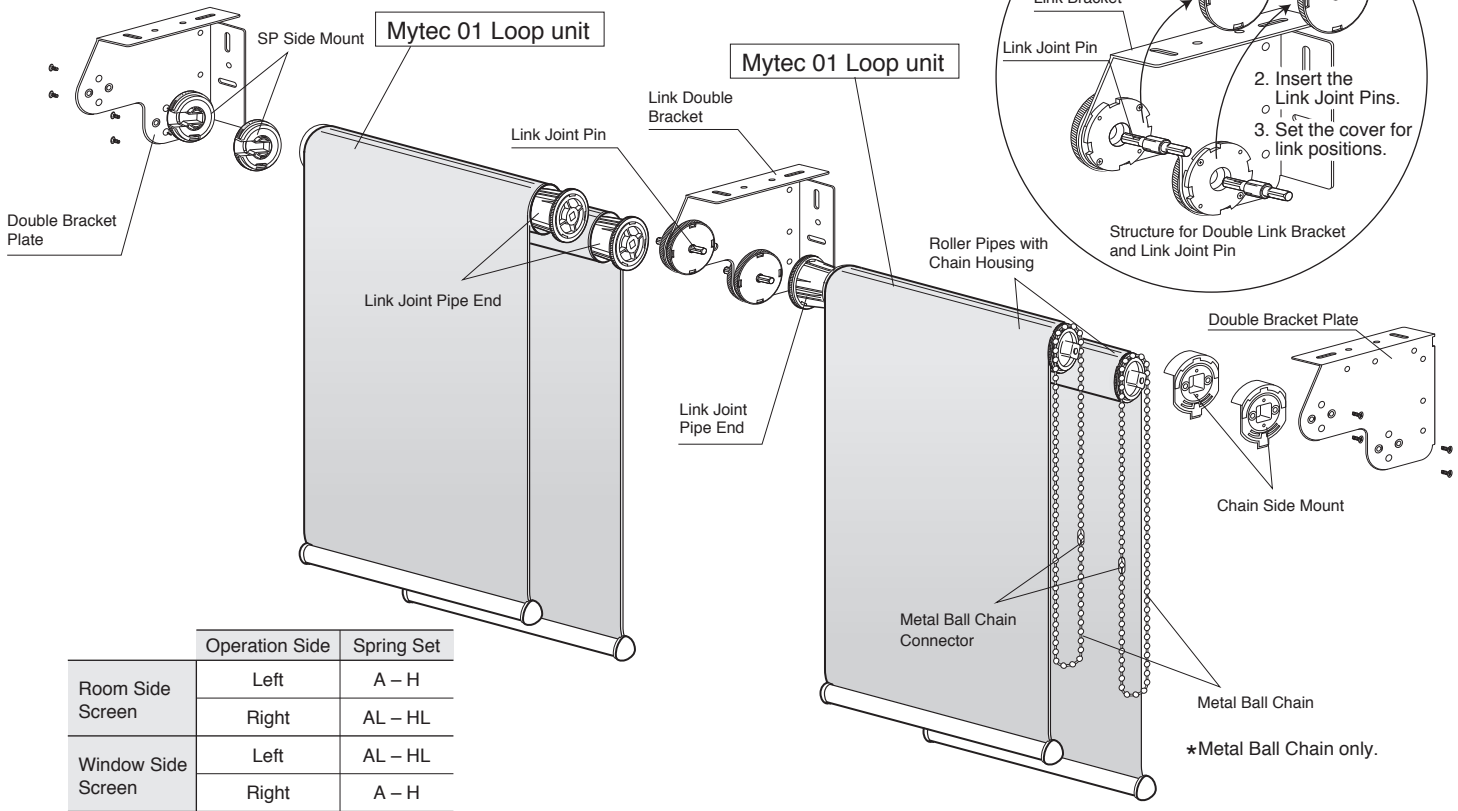


### Components and Materials

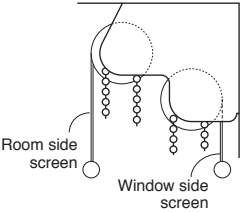
No.	Components	Material	No.	Components	Material	No.	Components	Material
①	Roller Pipe	Aluminum	⑥	MT03 Weight Bar	Aluminum	⑩	Double Bracket Plate	Steel
②	Spring Set	Steel, Molded resin	⑦	MT03 Weight Bar Cap	Molded resin	⑪	Link Double Bracket	Molded resin, Aluminum
③	Chain Housing	Steel, Molded resin	⑧	Link Joint Pipe End	Molded resin	⑫	SP Side Mount	Molded resin
④	Metal Ball Chain	SUS or Brass	⑨	Link Joint Pin	Brass	⑬	Chain Side Mount	Molded resin
⑤	Metal Ball Chain Connector	SUS or Brass						



Exploded View

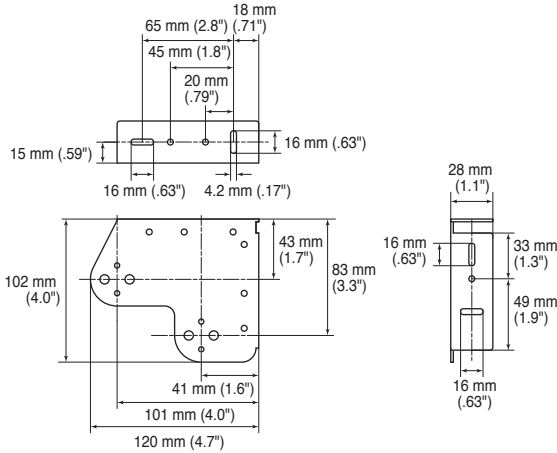


	Operation Side	Spring Set
Room Side Screen	Left	A – H
	Right	AL – HL
Window Side Screen	Left	AL – HL
	Right	A – H

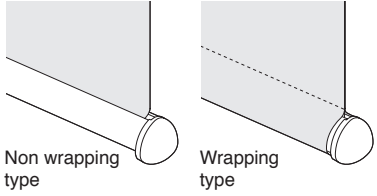


\*Spring Set for room side screen is reverse.

Bracket



Weight Bar



Specifications

		2 Units Link	3 Units Link
Maximum Screen Weight		11.3 kg (25.0 lb)	10.2 kg (22.5 lb)
Product Weight		4.4 kg (9.7 lb)	4.6 kg (10.1 lb)
(Width: 2000 mm/79" without screen) Ex.: Spring Set F, Double Bracket Plate, Metal Ball Chain length is 3000 mm (118")			
Allowable Size	Product Width (W)	1000 mm (39.3") to 5000 mm (197") W1, W2 ≤ 2500 mm (98.4") *	1500 mm (59.1") to 4500 mm (177") W1, W2, W3 ≤ 1500 mm (59.1") Allowable for Roller Pipe 41 mm DIA
	Product Height (H)	100 mm (3.9") to 2500 mm (98.4")	
	Ratio (W : H)	1 : 3 (limit)	

Notes: Regarding allowable size (W, H, Ratio), depending on material and weight, the screen may get wrinkled, curled or frayed. Maximum Screen Weights are different according to the screen material.

\*Please use Roller Pipe 45 mm DIA for W=2,010 mm (79.1") or more by 2 Unit Link.

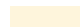

Typical Roll-up Diameter

See 30 pages about diameterter in Top Box type.

Roller pipe 41 mm (1.6") dia. / Selection of Side Holder

Class (Thickness) \ Height		400 mm (16")	800 mm (32")	1200 mm (47")	1600 mm (63")	2000 mm (79")	2400 mm (94")	2800 mm (110")	3000 mm (118")
A	-0.20 mm	44 mm (1.7")	45 mm (1.8")	46 mm (1.8")	47 mm (1.9")	48 mm (1.9")	49 mm (1.9")	50 mm (2.0")	51 mm (2.0")
B	0.21-0.30 mm	44 mm (1.7")	46 mm (1.8")	48 mm (1.9")	49 mm (1.9")	51 mm (2.0")	52 mm (2.0")	54 mm (2.1")	55 mm (2.2")
C	0.31-0.40 mm	45 mm (1.8")	47 mm (1.9")	50 mm (2.0")	52 mm (2.0")	54 mm (2.1")	55 mm (2.2")	57 mm (2.2")	58 mm (2.3")
D	0.41-0.50 mm	46 mm (1.8")	49 mm (1.9")	51 mm (2.0")	54 mm (2.1")	56 mm (2.2")	58 mm (2.3")	61 mm (2.4")	62 mm (2.4")
E	0.51-0.60 mm	47 mm (1.9")	50 mm (2.0")	53 mm (2.1")	56 mm (2.2")	59 mm (2.3")	61 mm (2.4")	64 mm (2.5")	65 mm (2.6")
F	0.61-0.70 mm	48 mm (1.9")	51 mm (2.0")	55 mm (2.2")	58 mm (2.3")	61 mm (2.4")	64 mm (2.5")	67 mm (2.6")	68 mm (2.8")
G	0.71-0.80 mm	48 mm (1.9")	53 mm (2.1")	56 mm (2.2")	60 mm (2.4")	63 mm (2.4")	66 mm (2.6")	69 mm (2.7")	71 mm (2.7")
H	0.81-0.90 mm	49 mm (1.9")	54 mm (2.1")	58 mm (2.3")	62 mm (2.4")	65 mm (2.5")	69 mm (2.7")	72 mm (2.8")	74 mm (2.9")
I	0.91-1.00 mm	50 mm (2.0")	55 mm (2.2")	59 mm (2.3")	64 mm (2.5")	67 mm (2.6")	71 mm (2.8")	75 mm (3.0")	76 mm (3.0")
J	1.01-1.10 mm	51 mm (2.0")	56 mm (2.2")	61 mm (2.4")	65 mm (2.6")	70 mm (2.8")	73 mm (2.9")	77 mm (3.0")	79 mm (3.1")
K	1.11-1.20 mm	51 mm (2.0")	57 mm (2.2")	62 mm (2.4")	67 mm (2.6")	71 mm (2.8")	76 mm (3.0")	80 mm (3.2")	—
L	1.21-1.37 mm	53 mm (2.1")	59 mm (2.3")	65 mm (2.6")	70 mm (2.8")	75 mm (2.9")	79 mm (3.1")	—	—

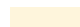
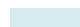
\*The roll-up diameter might be actually different.  
 \*Please contact our local agent for another size.

 area: Side Bracket Type=S, Set Bar Type=M  
 area: Side Bracket Type=M, Set Bar Type=L

Roller pipe 45 mm (1.8") dia. / Selection of Side Holder (Mytec 01 Loop only)

Class (Thickness) \ Height		400 mm (16")	800 mm (32")	1200 mm (47")	1600 mm (63")	2000 mm (79")	2400 mm (94")	2800 mm (110")	3000 mm (118")
A	-0.20 mm	48 mm (1.9")	49 mm (1.9")	50 mm (2.0")	51 mm (2.0")	52 mm (2.0")	53 mm (2.1")	54 mm (2.1")	55 mm (2.2")
B	0.21-0.30 mm	49 mm (1.9")	50 mm (2.0")	52 mm (2.1")	53 mm (2.1")	55 mm (2.2")	56 mm (2.2")	58 mm (2.3")	58 mm (2.3")
C	0.31-0.40 mm	50 mm (2.0")	52 mm (2.1")	54 mm (2.1")	55 mm (2.2")	57 mm (2.2")	59 mm (2.3")	61 mm (2.4")	62 mm (2.4")
D	0.41-0.50 mm	50 mm (2.0")	53 mm (2.1")	55 mm (2.2")	57 mm (2.2")	60 mm (2.4")	62 mm (2.4")	64 mm (2.5")	65 mm (2.6")
E	0.51-0.60 mm	51 mm (2.0")	54 mm (2.1")	57 mm (2.2")	59 mm (2.3")	62 mm (2.4")	64 mm (2.5")	67 mm (2.6")	68 mm (2.8")
F	0.61-0.70 mm	52 mm (2.1")	55 mm (2.2")	58 mm (2.3")	61 mm (2.4")	64 mm (2.5")	67 mm (2.6")	70 mm (2.8")	71 mm (2.7")
G	0.71-0.80 mm	52 mm (2.1")	56 mm (2.2")	60 mm (2.4")	63 mm (2.4")	66 mm (2.6")	69 mm (2.7")	72 mm (2.8")	74 mm (2.9")
H	0.81-0.90 mm	53 mm (2.1")	57 mm (2.2")	61 mm (2.4")	65 mm (2.6")	68 mm (2.7")	72 mm (2.8")	75 mm (3.0")	76 mm (3.0")
I	0.91-1.00 mm	54 mm (2.1")	58 mm (2.3")	63 mm (2.4")	67 mm (2.6")	70 mm (2.8")	74 mm (2.9")	77 mm (3.0")	79 mm (3.1")
J	1.01-1.10 mm	55 mm (2.2")	60 mm (2.4")	64 mm (2.5")	68 mm (2.7")	72 mm (2.8")	76 mm (3.0")	80 mm (3.1")	—
K	1.11-1.20 mm	55 mm (2.2")	61 mm (2.4")	65 mm (2.6")	70 mm (2.8")	74 mm (2.9")	78 mm (3.1")	—	—
L	1.21-1.37 mm	56 mm (2.2")	62 mm (2.4")	68 mm (2.8")	73 mm (2.9")	77 mm (3.0")	—	—	—

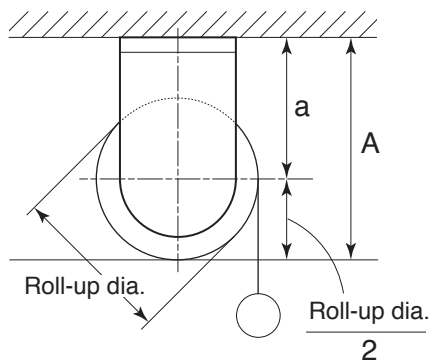
\*The roll-up diameter might be actually different.  
 \*Please contact our local agent for another size.

 area: Side Bracket Type=S, Set Bar Type=M  
 area: Side Bracket Type=M, Set Bar Type=L

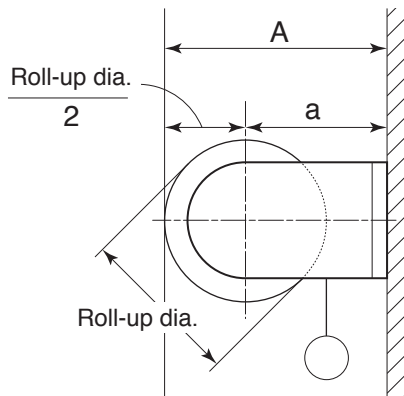
Installation Dimensions

Standard Type

Ceiling attachment



Wall attachment



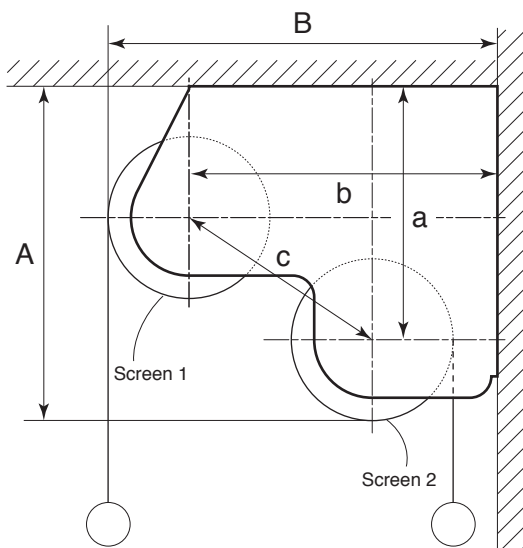
$$A = a + \frac{\text{Roll-up dia.}}{2}$$

Product		a		
		Side Holder S	Side Holder M	Side Holder L
Mytec 01 Loop	Side Bracket Type (Link Type)	37 mm (1.5")	47 mm (1.9")	—
	Set Bar Type	—	50 mm (2.0")	58 mm (2.3")
Mytec 01	Side Bracket Type	37 mm (1.5")	47 mm (1.9")	—
	Set Bar Type	—	50 mm (2.0")	58 mm (2.3")

\*The dimensions above are common to all types: Side Bracket type, Link type and Set Bar type.

Double Type

Ceiling/Wall attachment



$$A = a + \frac{\text{Roll-up dia.}}{2}$$

$$B = b + \frac{\text{Roll-up dia.}}{2}$$

$$\frac{\text{Screen 1 Roll-up dia.}}{2} + \frac{\text{Screen 2 Roll-up dia.}}{2} < C$$

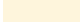
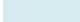
Product		a	b	c
Mytec 01 Loop	Double Type Double Link Type	83 mm (3.3")	101 mm (4.0")	72 mm (2.8")

Typical Roll-up Diameter—Top Box Type

Roller pipe 41 mm (1.6") dia. / Selection of Side Holder

Class (Thickness)	Height	400 mm (16")	800 mm (32")	1200 mm (47")	1600 mm (63")	2000 mm (79")	2400 mm (94")	2800 mm (110")	3000 mm (118")
		A	-0.20 mm	44 mm (1.7")	45 mm (1.8")	46 mm (1.8")	47 mm (1.9")	48 mm (1.9")	49 mm (1.9")
B	0.21–0.30 mm	44 mm (1.7")	46 mm (1.8")	48 mm (1.9")	49 mm (1.9")	51 mm (2.0")	52 mm (2.0")	54 mm (2.1")	55 mm (2.2")
C	0.31–0.40 mm	45 mm (1.8")	47 mm (1.9")	50 mm (2.0")	52 mm (2.0")	54 mm (2.1")	55 mm (2.2")	57 mm (2.2")	58 mm (2.3")
D	0.41–0.50 mm	46 mm (1.8")	49 mm (1.9")	51 mm (2.0")	54 mm (2.1")	56 mm (2.2")	58 mm (2.3")	61 mm (2.4")	62 mm (2.4")
E	0.51–0.60 mm	47 mm (1.9")	50 mm (2.0")	53 mm (2.1")	56 mm (2.2")	59 mm (2.3")	61 mm (2.4")	64 mm (2.5")	65 mm (2.6")
F	0.61–0.70 mm	48 mm (1.9")	51 mm (2.0")	55 mm (2.2")	58 mm (2.3")	61 mm (2.4")	64 mm (2.5")	67 mm (2.6")	68 mm (2.8")
G	0.71–0.80 mm	48 mm (1.9")	53 mm (2.1")	56 mm (2.2")	60 mm (2.4")	63 mm (2.4")	66 mm (2.6")	69 mm (2.7")	71 mm (2.7")
H	0.81–0.90 mm	49 mm (1.9")	54 mm (2.1")	58 mm (2.3")	62 mm (2.4")	65 mm (2.5")	69 mm (2.7")	72 mm (2.8")	74 mm (2.9")
I	0.91–1.00 mm	50 mm (2.0")	55 mm (2.2")	59 mm (2.3")	64 mm (2.5")	67 mm (2.6")	71 mm (2.8")	75 mm (3.0")	—
J	1.01–1.10 mm	51 mm (2.0")	56 mm (2.2")	61 mm (2.4")	65 mm (2.6")	70 mm (2.8")	73 mm (2.9")	—	—
K	1.11–1.20 mm	51 mm (2.0")	57 mm (2.2")	62 mm (2.4")	67 mm (2.6")	71 mm (2.8")	—	—	—
L	1.21–1.37 mm	53 mm (2.1")	59 mm (2.3")	65 mm (2.6")	70 mm (2.8")	75 mm (2.9")	—	—	—



\*The roll-up diameter might be actually different.  
 \*Please contact our local agent for another size.

 area: Side Holder S for Top Box  
 area: Side Holder M for Top Box

Roller pipe 45 mm (1.8") dia. / Selection of Side Holder (Mytec 01 Loop only)

Class (Thickness)	Height	400 mm (16")	800 mm (32")	1200 mm (47")	1600 mm (63")	2000 mm (79")	2400 mm (94")	2800 mm (110")	3000 mm (118")
		A	-0.20 mm	48 mm (1.9")	49 mm (1.9")	50 mm (2.0")	51 mm (2.0")	52 mm (2.0")	53 mm (2.1")
B	0.21–0.30 mm	49 mm (1.9")	50 mm (2.0")	52 mm (2.1")	53 mm (2.1")	55 mm (2.2")	56 mm (2.2")	58 mm (2.3")	58 mm (2.3")
C	0.31–0.40 mm	50 mm (2.0")	52 mm (2.1")	54 mm (2.1")	55 mm (2.2")	57 mm (2.2")	59 mm (2.3")	61 mm (2.4")	62 mm (2.4")
D	0.41–0.50 mm	50 mm (2.0")	53 mm (2.1")	55 mm (2.2")	57 mm (2.2")	60 mm (2.4")	62 mm (2.4")	64 mm (2.5")	65 mm (2.6")
E	0.51–0.60 mm	51 mm (2.0")	54 mm (2.1")	57 mm (2.2")	59 mm (2.3")	62 mm (2.4")	64 mm (2.5")	67 mm (2.6")	68 mm (2.8")
F	0.61–0.70 mm	52 mm (2.1")	55 mm (2.2")	58 mm (2.3")	61 mm (2.4")	64 mm (2.5")	67 mm (2.6")	70 mm (2.8")	71 mm (2.7")
G	0.71–0.80 mm	52 mm (2.1")	56 mm (2.2")	60 mm (2.4")	63 mm (2.4")	66 mm (2.6")	69 mm (2.7")	72 mm (2.8")	74 mm (2.9")
H	0.81–0.90 mm	53 mm (2.1")	57 mm (2.2")	61 mm (2.4")	65 mm (2.6")	68 mm (2.7")	72 mm (2.8")	75 mm (3.0")	—
I	0.91–1.00 mm	54 mm (2.1")	58 mm (2.3")	63 mm (2.4")	67 mm (2.6")	70 mm (2.8")	74 mm (2.9")	—	—
J	1.01–1.10 mm	55 mm (2.2")	60 mm (2.4")	64 mm (2.5")	68 mm (2.7")	72 mm (2.8")	—	—	—
K	1.11–1.20 mm	55 mm (2.2")	61 mm (2.4")	65 mm (2.6")	70 mm (2.8")	74 mm (2.9")	—	—	—
L	1.21–1.37 mm	56 mm (2.2")	62 mm (2.4")	68 mm (2.8")	73 mm (2.9")	—	—	—	—

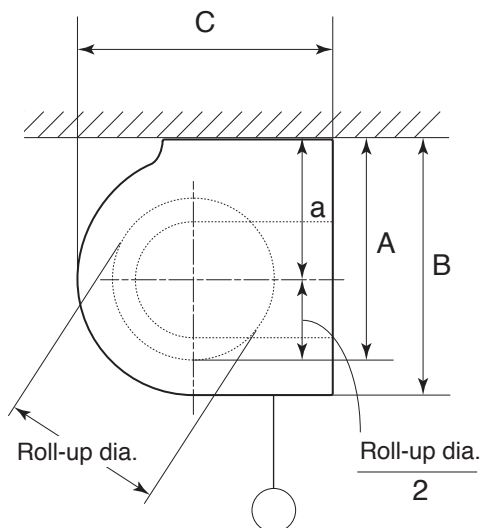
\*The roll-up diameter might be actually different.  
 \*Please contact our local agent for another size.

 area: Side Holder S for Top Box  
 area: Side Holder M for Top Box

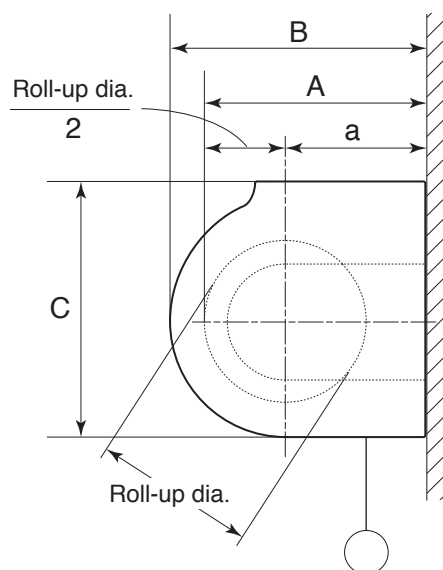
Installation Dimensions

Top Box Type \_\_\_\_\_

Top Box ceiling attachment



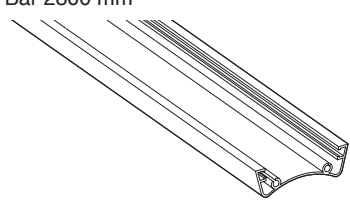
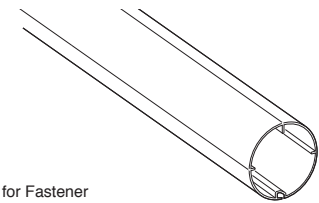
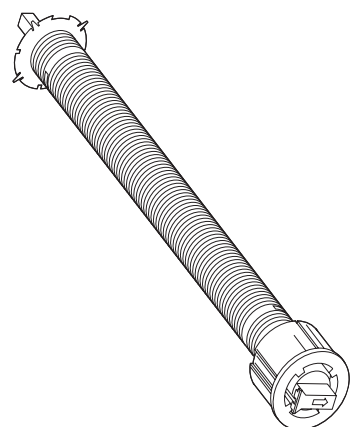
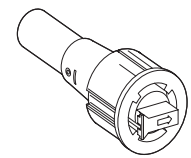
Top Box wall attachment



$$A = a + \frac{\text{Roll-up dia.}}{2}$$

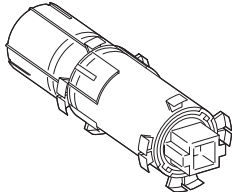


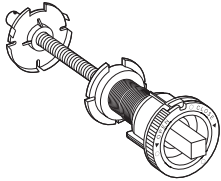
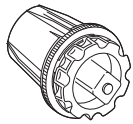
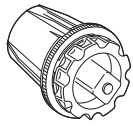

Product		a		B		C	
		Top Box S	Top Box M	Top Box S	Top Box M	Top Box S	Top Box M
Mytec 01 Loop Mytec 01	Ceiling attachment	38 mm (1.5")	47 mm (1.9")	70 mm (2.6")	89 mm (3.5")	70 mm (2.6")	90 mm (3.5")
	Ceiling Bracket attachment	42 mm (1.7")	51 mm (2.0")	74 mm (2.9")	93 mm (3.7")	80 mm (3.1")	100 mm (3.9")
	Wall attachment	38 mm (1.5")	48 mm (1.9")	70 mm (2.6")	90 mm (3.5")	70 mm (2.6")	89 mm (3.5")
	Wall Bracket attachment	48 mm (1.9")	58 mm (2.3")	80 mm (3.1")	100 mm (3.9")	74 mm (2.9")	93 mm (3.7")


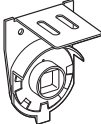


## Mytec 01 Parts

Product Name	Mytec 01 Loop				Mytec 01		Product Code
	Side Bracket Type		Set Bar Type		Side Bracket Type	Set Bar Type	
	Left Operation	Right Operation	Left Operation	Right Operation			
<b>Set Bar 2800 mm</b> 	White	—	○	—	○	60230162	
<b>Roller Pipe 2800 mm</b> 	41 mm DIA	○	○	○	○	01030199	
	45 mm* DIA	○	○	—	—	(*)	
*No use for Fastener							
<b>Spring Set</b> 	A					01030210	
	B					01030211	
	C				○	○	01030212
	D	○*	○	—	○		01030213
	E						01030214
	F						01030215
	G				—	—	30000144
	H						30000146
	Y	—		—	○	○	01030248
	AL						01030216
	BL						01030217
	CL						01030218
	DL	○	○*	○	—	—	01030219
	EL						01030220
	FL						01030221
GL						30000145	
HL						30000147	
<b>Non-Balancer Set</b> 		○	○	—	—	01030222	

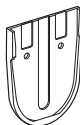
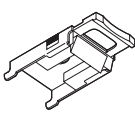
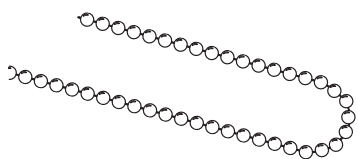

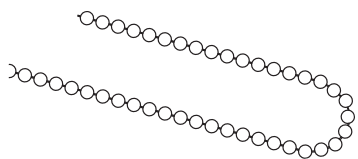

\*1 Please contact our local agent.

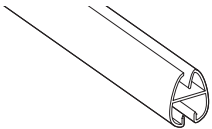
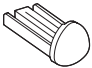
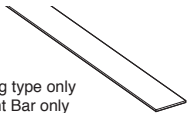
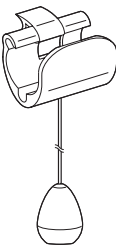
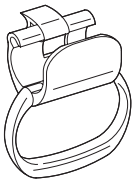

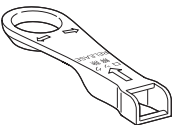
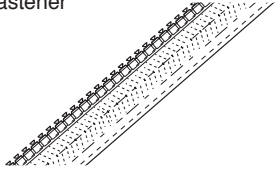


Product Name	Mytec 01 Loop				Mytec 01		Product Code
	Side Bracket Type		Set Bar Type		Side Bracket Type	Set Bar Type	
	Left Operation	Right Operation	Left Operation	Right Operation			
Clutch 	—	—	—	—	○	○	01030208
Connect Pin 1.6 mm x 18 mm Chromate 	—	—	—	—	○	○	01030242
Speed Controller 	400 GFCM	—	—	—	○	○	01030240
	800* GFCM	—	—	—	○	○	01030241
*Height ≥ 2410 mm (94.9") and Spring E or F							
Stop Controller 	—	—	—	—	○	○	01030207
*Minimum width is 600 mm (23.6") at Stop Controller using. (Depend on the screen.)							
Chain Housing 	○	○	○	○	—	—	30005338
Chain Housing G/H 	○	○	—	—	—	—	30005339
Pipe End 	—	—	—	—	○	○	01030203

Product Name			Mytec 01 Loop				Mytec 01		Product Code	
			Side Bracket Type		Set Bar Type		Side Bracket Type	Set Bar Type		
			Left Operation	Right Operation	Left Operation	Right Operation				
SP Side Holder 	S	Left	White	—	○	—	○	—	30003433	
			Warm White						30003434	
			Gray						30003435	
			Black						30003436	
	S	Right	White	○	—	—	—	—	30003437	
			Warm White						30003438	
			Gray						30003439	
			Black						30003440	
	M	Left	White	—	○	—	○	—	30003442	
			Warm White						30003443	
			Gray						30003444	
			Black						30003445	
		M	Right	White	○	—	○	—	—	30003446
				Warm White						30003447
				Gray						30003448
				Black						30003449
L	Left	White	—	—	—	○	—	○	30003450	
	Right	White	—	—	○	—	—	—	30003451	
Chain Side Holder 	S	White	○	—	—	—	—	30003452		
		Warm White						30003453		
		Gray						30003454		
		Black						30003455		
	M	White	○	—	○	—	—	—	30003456	
		Warm White							30003457	
		Gray							30003458	
		Black							30003459	
	L	White	—	—	○	—	—	—	30003460	
	End Side Holder 	S	White	—	—	—	○	—	30003461	
Warm White			30003462							
Gray			30003463							
Black			30003464							
M		White	—	—	—	○	—	○	30003465	
		Warm White							30003466	
		Gray							30003467	
		Black							30003468	
L		White	—	—	—	—	○	—	30003469	
SC Side Holder 		S	White	—	—	—	○	—	30003470	
	Warm White		30003471							
	Gray		30003472							
	Black		30003473							
	M	White	—	—	—	○	—	○	30003474	
		Warm White							30003475	
		Gray							30003476	
		Black							30003477	
	L	White	—	—	—	—	○	—	30003478	

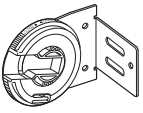
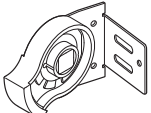
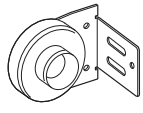
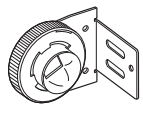
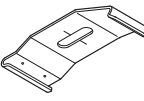
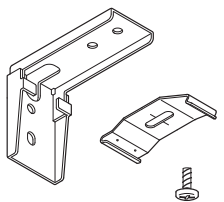
\*Use with Stop Controller

Product Name			Mytec 01 Loop				Mytec 01		Product Code
			Side Bracket Type		Set Bar Type		Side Bracket Type	Set Bar Type	
			Left Operation	Right Operation	Left Operation	Right Operation			
Side Holder Cover 	S	White						30003479	
		Warm White	○		—	○	—	30003480	
		Gray						30003481	
		Black						30003482	
	M	White			○		○	30003483	
		Warm White	○		—	○	—	30003484	
		Gray						30003485	
		Black						30003486	
	L	White	—		○	—	○	30003487	
	Bracket 	2 pcs/bag		—		○	—	○	01030201
		3 pcs/bag							01030202
	*Set Bar type only								
Metal Ball Chain 	SUS		○		○	—	—	30005358	
	Brass							30005359	
Metal Chain Connector 	SUS		○		○	—	—	01030258	
	Brass							01030257	
Plastic Ball Chain 	White		○		○	—	—	30003524	
Plastic Ball Chain Joints 	White		○		○	—	—	30003525	

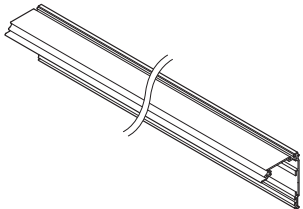
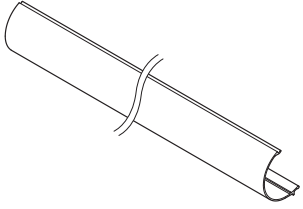
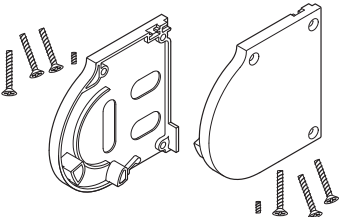
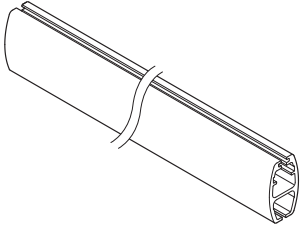
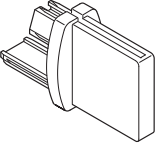
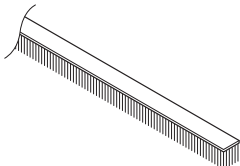
Product Name		Mytec 01 Loop				Mytec 01		Product Code	
		Side Bracket Type		Set Bar Type		Side Bracket Type	Set Bar Type		
		Left Operation	Right Operation	Left Operation	Right Operation				
<b>MT03 Weight Bar 2730 mm (Aluminum)</b> 	White	<input type="radio"/>	<input type="radio"/>	<input type="radio"/>	<input type="radio"/>	<input type="radio"/>	<input type="radio"/>	61950023	
<b>MT03 Weight Bar Cap</b> 	White	<input type="radio"/>	<input type="radio"/>	<input type="radio"/>	<input type="radio"/>	<input type="radio"/>	01030265		
	Warm White						01030330		
	Gray						01030329		
	Black						01030275		
<b>MT03 Bottom Inner Bar</b>  *For non wrapping type only *For MT03 Weight Bar only	2000 mm	<input type="radio"/>	<input type="radio"/>	<input type="radio"/>	<input type="radio"/>	<input type="radio"/>	01030264		
<b>MT03 Pull Ball Set</b>  *For non wrapping and wrapping type *For MT03 Weight Bar only	White	<input type="radio"/>	<input type="radio"/>	<input type="radio"/>	<input type="radio"/>	<input type="radio"/>	01030188		
<b>MT03 Pull Grip Set</b>  *For non wrapping and wrapping type *For MT03 Weight Bar only	White						<input type="radio"/>	<input type="radio"/>	01030193
<b>MT03 Flat Grip Set</b>  *For non wrapping and wrapping type *For MT03 Weight Bar only	White						<input type="radio"/>	<input type="radio"/>	01030195
<b>Winder</b> 		<input type="radio"/>	<input type="radio"/>	<input type="radio"/>	<input type="radio"/>	<input type="radio"/>	01030235		
<b>Fastener</b> 	White	<input type="radio"/>	<input type="radio"/>	<input type="radio"/>	<input type="radio"/>	<input type="radio"/>	60700091		

Mytec 01 Parts (Option)

\* For Mytec 01 Loop only.

Product Name	Top Box Type	Side Frame Type *	Guide Wire Type	Link Type *	Double Type *		Link Double Type *		Product Code
					Left Operation	Right Operation	Left Operation	Right Operation	
SP Side Holder for Top Box 	S	Left	○	—	—	—	—	—	30003496
		Right							30003497
	M	Left							30003498
		Right							30003499
Chain Side Holder for Top Box 	S		○	—	—	—	—	—	30003500
	M								30003501
End Side Holder for Top Box 	S		○	—	—	—	—	—	30003502
	M								30003503
SC Side Holder for Top Box 	S		○	—	—	—	—	—	30003504
	M								30003505
*With Stop Controller									
Top Box Ceiling Bracket 			○	—	—	—	—	—	30003494
Top Box Wall Bracket 									30003495

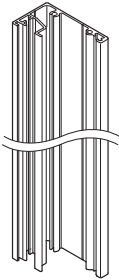
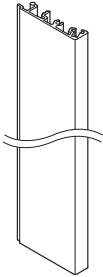
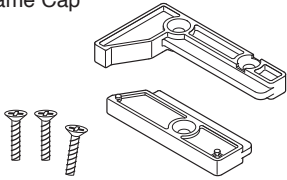
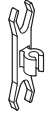
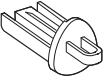



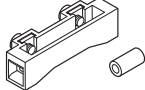
\* For Mytec 01 Loop only.

Product Name	Top Box Type	Side Frame Type *	Guide Wire Type	Link Type *	Double Type *		Link Double Type *		Product Code
					Left Operation	Right Operation	Left Operation	Right Operation	
Top Box Base Plate 5000 mm 	S	○	—	—	—	—	—	—	30003488
	M	○	—	—	—	—	—	—	30003489
(*)									
Top Box Front Cover 5000 mm 	S	○	—	—	—	—	—	—	30003490
	M	○	—	—	—	—	—	—	30003491
(*)									
Top Box Cap 	White	S	○	—	—	—	—	—	30003492
	M	○	—	—	—	—	—	—	30003493
(*)									
Weight Bar for Side Frame 5000 mm 		○	—	—	—	—	—	—	30003510
(*)									
Weight Bar Cap for Side Frame 	White	—	○	—	—	—	—	—	30003511
Pile Tape 		○	○	—	—	—	—	—	30003512

\*Use to more black-out.

\*1 Please contact our local agent.

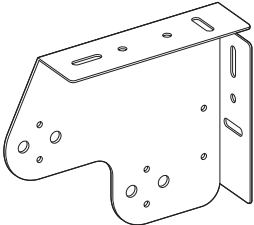


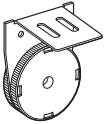
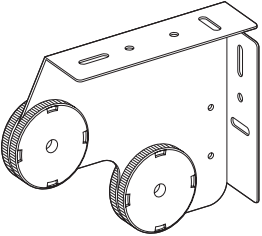
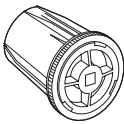
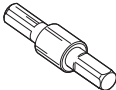
\* For Mytec 01 Loop only.

Product Name	Top Box Type	Side Frame Type *	Guide Wire Type	Link Type *	Double Type *		Link Double Type *		Product Code
					Left Operation	Right Operation	Left Operation	Right Operation	
<b>Side Frame Base 5000 mm</b>  (*1)	—	○	—	—	—	—	—	—	30003506
<b>Side Frame Cover 5000 mm</b>  (*1)	—	○	—	—	—	—	—	—	30003507
<b>Side Frame Cap</b>  *Up/down and right/left common.	White	—	○	—	—	—	—	—	30003508
<b>Side Frame Holder</b> 	White	—	○	—	—	—	—	—	30003509
<b>Weight Bar Cap for Guide Wire</b> 	White	—	—	○	—	—	—	—	30003515
<b>Wire Base</b> *Install in piles, for screen touches parts side. 	White	—	—	○	—	—	—	—	30003514
<b>Wire (Nylon) ø1.5</b> 	—	—	—	—	—	—	—	—	30003526
<b>Wire (Steel) ø1.5</b> 	—	—	—	○	—	—	—	—	30003527
<b>Wire Stop</b> 	Clear	—	—	○	—	—	—	—	30003513

\*1 Please contact our local agent.



\* For Mytec 01 Loop only.

Product Name		Top Box Type	Side Frame Type	Guide Wire Type	Link Type	Double Type *		Link Double Type *		Product Code
						Left Operation	Right Operation	Left Operation	Right Operation	
Double Bracket Plate 	Left	White	—	—	—	○	○	○	○	30000129
		Warm White								30000126
		Gray								30000127
		Black								30000128
	Right	White	—	—	—	○	○	○	○	30000133
		Warm White								30000130
		Gray								30000131
		Black								30000132
Double Bracket SP Side Mount  *Use with Double Bracket Plate	White	—	—	—	—	○	○	○	30000134	
	Warm White								30000137	
	Gray								30000136	
	Black								30000135	
Double Bracket Chain Side Mount  *Use with Double Bracket Plate	White	—	—	—	—	○	○	○	30000138	
	Warm White								30000141	
	Gray								30000140	
	Black								30000139	
Link Bracket 	S	White	—	—	—	○	—	—	—	30003516
		Warm White								30003517
		Gray								30003518
		Black								30003519
	M	White	—	—	—	○	—	—	—	30003520
		Warm White								30003521
		Gray								30003522
		Black								30003523
Link Double Bracket 	White	—	—	—	—	—	—	○	30000113	
	Warm White								30000116	
	Gray								30000114	
	Black								30000115	
Link Joint Pipe End 		—	—	—	○	—	—	○	30000142	
Link Joint Pin 		—	—	—	○	—	—	○	30000125	