

Theatrac

Jul. 2021
RENEWAL



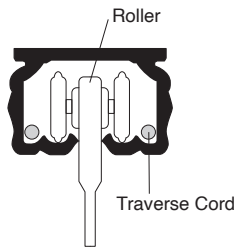
- The ideal rail for the heaviest blackout curtains used in gymnasiums and auditoriums.
- Manual, cord draw and motor operation are possible.
- Wheel-type rollers with bearings enable smooth, easy opening and closing.

Theatrac

Theatrac's Unique Features and Applications

Rollers and cord pass through separate grooves.

Separate grooves for rollers and cord/wire permit a smooth and trouble-free operation.



Motor operation is possible.

This is convenient when using wide curtains or curtains in a high location, and when opening and closing heavy curtains.

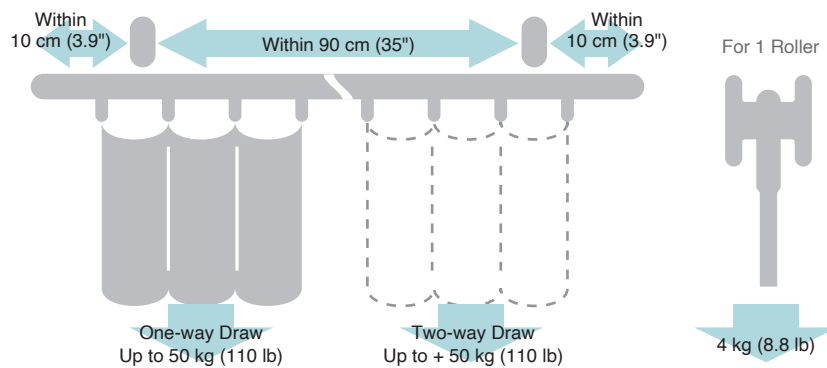


Materials and Finishes

Parts	Material	Finish	
Rail	Silver	Aluminum alloy extrusion material	Alumite
	White		
Roller	Plate	Nylon	—
	Wheel	Nylon	

Parts	Material	Finish	
End Stop	Plate	Steel	Silver Alumite
Bracket	Body	Aluminum	
	Snap board	Steel	

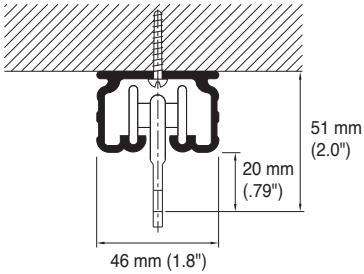
Bracket Installation Interval and Allowable Curtain Load



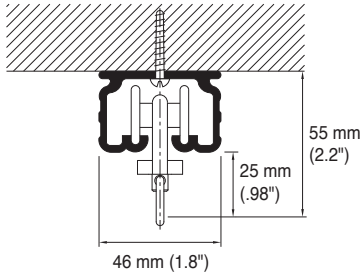
Installation Dimensions

Ceiling Attachment

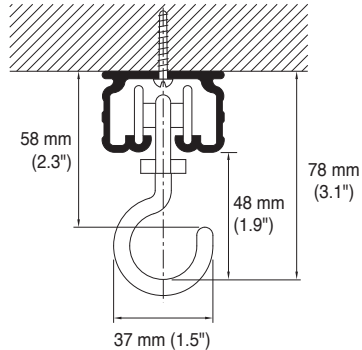
Direct attachment
(Roller used)



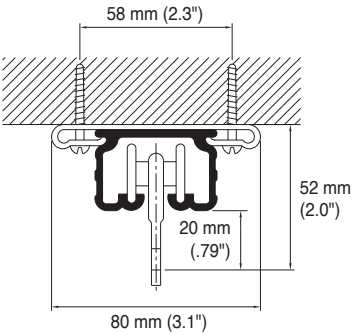
Direct attachment
(Swing Roller with Ring used)



Direct attachment
(Swing Roller with Hook used)

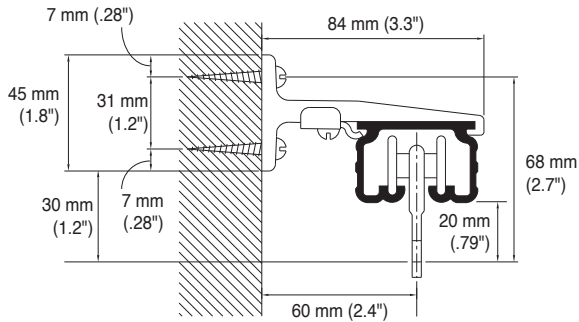


Ceiling Single Bracket
Bracket width = 38 mm (1.5 inches)
(Roller used)



Wall Attachment

Single Bracket
Bracket width = 34 mm (1.3 inches)
(Roller used)

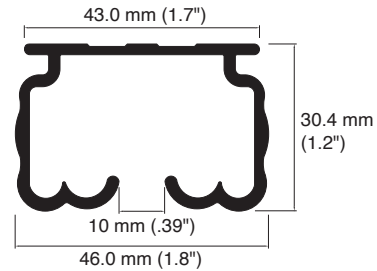


Theatrac Rails

Silver



White



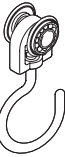
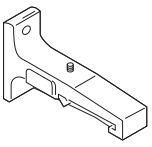
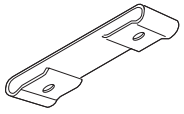
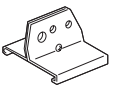

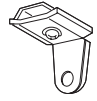


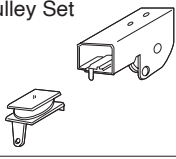
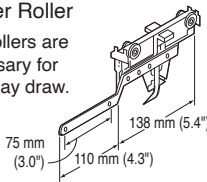
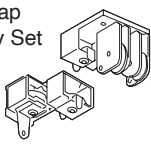
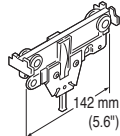


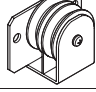
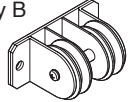
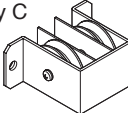
Size	Product Code	
	Silver	White
3.00 m (118")	00250018	00250032
4.00 m (157")	00250017	00250033
Curved Rail (500 mmR/20"R) 1.00 m x 1.00 m (3.9" x 3.9") (Ordered separately) *1	00250031	—

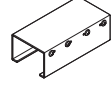
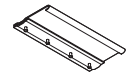

*1 Curved 1.00 m x 1.00 m (39" x 39") rails (ordered separately) are 500 mmR (20"R).

Note: Possible radius sizes Silver: 1,000 mmR (39"R) or more

Theatrac Parts

	Product Name	Product Code
Rollers	Roller 	00250012 Allowable load: 4 kg (8.8 lb)
	Swing Roller with Ring 	00250028 Allowable load: 10 kg (22 lb)
	Swing Roller with Hook 	00250030 Allowable load: 8 kg (17.6 lb)
Brackets	Single Bracket 	Silver 00250005
	Ceiling Single Bracket 	Silver 00250002
	Overhead Hanger 	Silver 00250011
End Stops	End Stop 	Silver 00250006
	Hanger End Stop 	Silver 00250016

	Product Name	Product Code
Cord Draw Parts	Pulley Set 	Silver 00250009
	Master Roller Two rollers are necessary for Two-way draw.  75 mm (3.0") 110 mm (4.3") 138 mm (5.4")	00250001 For curved rail over 1000 mmR (39"R).
	Overlap Pulley Set 	Silver 00250008
	Pilot Roller Two rollers are necessary for Two-way draw.  142 mm (5.6")	00250010
	Tension Pulley 450  450 mm-650 mm (18"-26")	Silver 00500007
	Tension Pulley 650  650 mm-980 mm (26"-39")	Silver 00500008
	Traverse Cord 4.5 mm DIA. 	White 00580011
	Support Pulley A 	00500009
Support Pulley B 	00500010	
Support Pulley C 	00500011	

	Product Name	Product Code
Other Parts	Cover Splice 	Silver 00250029
	OT Splice 	Silver 00250007
	Adjustable Hanger Rod A 	A170 (130-170 mm /5.1-6.7") Silver 00290034 A250 (170-250 mm /6.7-9.8") Silver 00290036 A400 (245-400 mm /9.6-16") Silver 00290017 A700 (395-700 mm /16-28") Silver 00290016 A1100 (595-1,100 mm /23-43") Silver 00290015 A1600 (845-1,600 mm /33-63") Silver 00290014