

# Picture Rail W-2 for Residences



- The Picture Rail W-2 is suitable for residences, allowable load of 15 kg (33 lb).
- Beautiful design, inside of the rail can not be seen.
- Available optional parts to “put,” “hook,” and “hang” small goods as well as pictures.

# Picture Rail W-2

## How to Use Picture Rail W-2



W-2 + W Hook 15-A + Hanger 15

**Entrances**—Space-saving Picture Rail, available decorating paintings, photographs, flower arrangements, etc. even in a small room.



W-2 + W Hook 15-A + Hanger 15

**Entrances**—Enjoy decorating pictures and photos even at a narrow entrance. Pleasing effects with hanging objects.



W-2 + W Hook 15-A + Hanger 15 + Mono Hook 10-A

**Bed Rooms**—The Picture Rail, you can treat the lighting freely like an interior.



W-2 + W Hook 15-A + Hanger 15

**Living Rooms**—Hang plants to redecorate the living room. Lightly adopt the seasonal feeling.



W-2 + Mono Hook 10-A + Accessories Tray 300

**Child's Rooms**—Install the Picture Rail in a little space. Ways of visible cabinet will be broader.

## Picture Rail W-2



W-2 + W Hook 15-A + Mono Hook 10-A + Multifarious Rack 300



W-2 + Accessories Tray 300 + Multifarious Rack 300 + Mono Hook 5-A

**Kitchen**—Let's keep cooking tools and seasonings on the Picture Rail. Functionality as well as design will improve.



W-2 + Mono Hook 10-A + Accessories Tray 300

**Bathrooms**—Arrange spare clothes, bath towels, and make-up accessories in a limited space efficiently.

Picture Rail's Unique Features

Picture Rail consists of three parts: a rail, hook, and hanger (a combination of a hanger hook and wire). Pictures can be mounted on wall surfaces nondestructively with dedicated hangers.

Designed for any space where artworks go on walls, from galleries and public buildings to offices, shops, and residences.

Basic Construction of Picture Rail



Rails

Two basic rail types are available: one for "ceiling attachment" and one for "wall attachment." Either type can be embedded in a ceiling or wall as a "prefabricated rail" or attached to an existing ceiling or wall as a "retrofitted rail." Available in many variations to suit the size and weight of the artworks and type of Picture Rail mounting selected. Special mounting brackets should be used according to the assembly conditions.

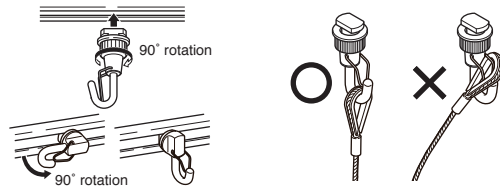
Hooks

The hooks come in many different designs. The "before-fitted" hook slides from the end of the rail before the end-cap is attached. The "after-fitted" hook is pushed into the rail groove after the rail is installed. The "fixed type" is fixed to the rail with the built-in screw on the hook body. The "hooked type" simply hooks to the rail. The "one-touch type" connects directly with the hanger. The "Carabiner-fitted type" has a drop-prevention function. Select the hook best suited to the Picture Rail you are installing.

Hanger

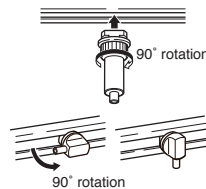
Select the best type for the intended usage and the weight of the article to be hung, from heavy to lightweight. Two mounting methods are available: "standard type" and "one-touch type."

Standard Type



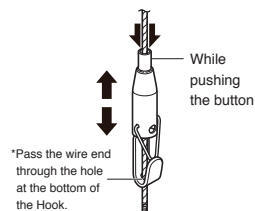
When using a standard-type hook, catch the loop part of the hanger on the hook as shown in the illustration. The carabiner-fitted type safeguards against falling articles when earthquakes strike. This is a recommended feature for public buildings or any other space visited by large numbers of people.

One-touch Type



When using a one-touch hook, insert the straight hanger from the insertion hole of the hook as shown in the illustration until the tip of the wire hits the top of the hook. To unplug the wire, push the button and pull the wire out.

Position of the Hanger Hook



Slide the hanger hook up and down while depressing the hanger hook button. Before hanging the picture, confirm that the hook is locked and won't move down.

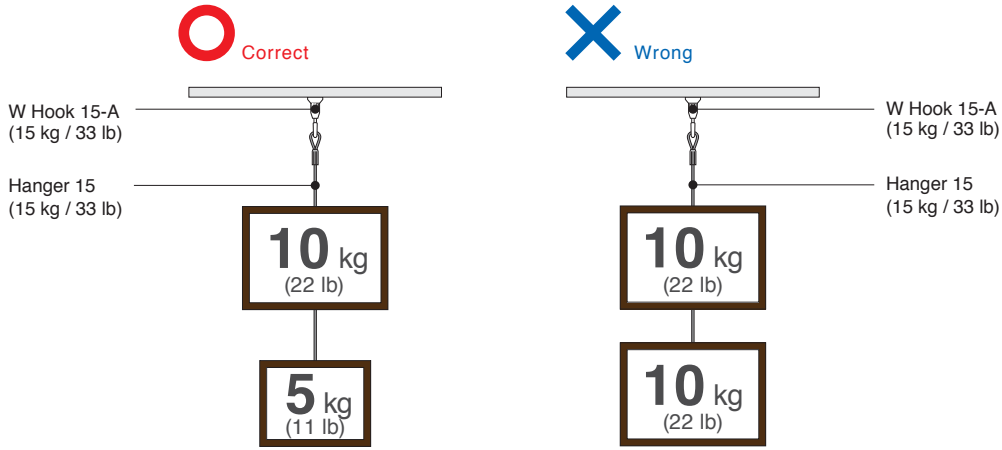
\*The hook can move up even when locked.

## The Concept of Allowable Load

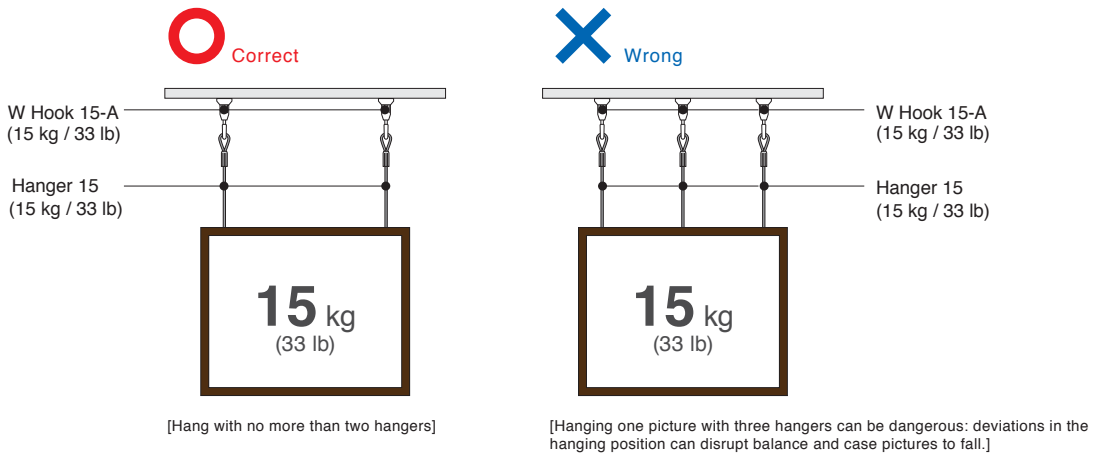
When using Picture Rail W-2—allowable load: wall attachment 15 kg (33 lb)

\*Allowable load depends on the product and construction method. \*Install the product to suit the load and other conditions for wall and ceiling attachment.

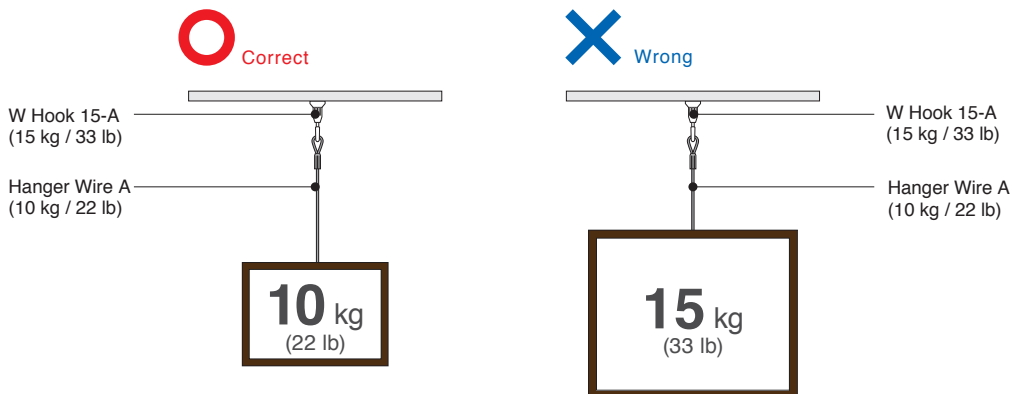
**CASE 01** If hanging more than one article with one hanger, the combined allowable load is 15 kg (33 lb).



**CASE 02** If using more than one hanger to hang an article, hang with no more than two hangers and do not exceed a load of 15 kg (33 lb). (If the interval between hangers is more than 1 m/39", it should be performed in the same way.)



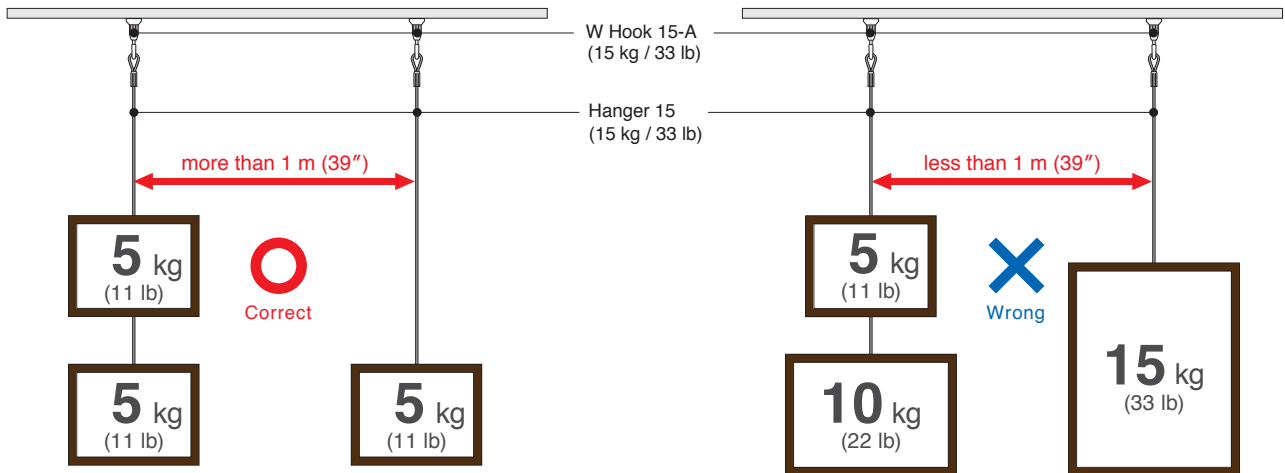
**CASE 03** If system components (rail, hook, etc.) with different allowable loads are used in combination, the smallest allowable load applies.



[Different allowable loads for system components used in combination: rails and hooks—15 kg (33 lb) each, hangers—10 kg (22 lb).]

CASE 04

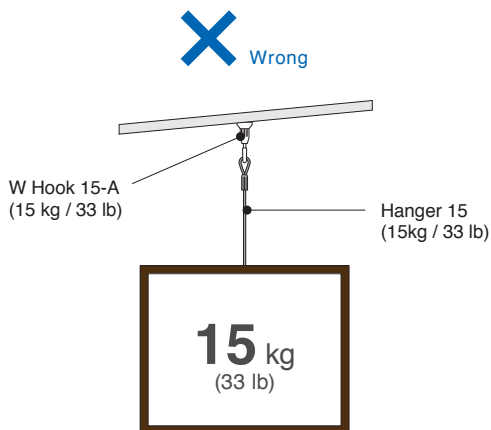
When using plural hooks and hangers: if the total allowable load is within 15 kg (33 lb) and the interval between hangers is 1 m (39") or more.



\*Although the shortest available interval between hangers is 1 m (39"), we recommend allowing a sufficient interval (more than 1 m/39") when hanging plural picture frames to prevent picture frames from colliding with each other during earthquakes, etc.

CASE 05

Never install the rail at a tilted angle.



# Picture Rail W-2

## Picture Rail W-2



The Picture Rail optimum for residences by installing brackets with allowable load of 15 kg (33 lb). Compact design, mounting screws can not be seen, and can install clearly at the end of ceiling.

Color: White



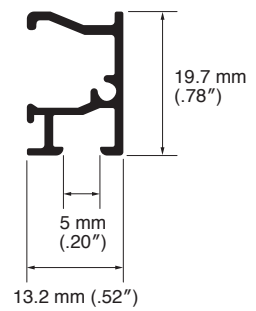
Bracket W-2 + W Hook 15-A



Universal Bracket W-2 + W Hook 15-A



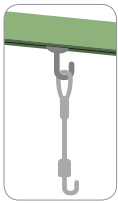
Rail Section





Picture Rail W-2's Unique Features

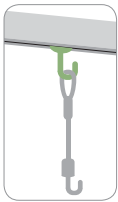
Rails



	Product Name	Color
<p><b>Add-on rail for wall</b> Attaches to a wall in its existing condition.</p>	<b>W-2</b>	White

Hooks

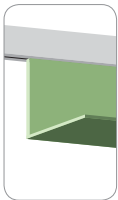
Three types of hook are available in the dedicated W series.



W Hook 15-A	Mono Hook 10-A	Mono Hook 5-A
<p>● Add-on type, 15 kg (33 lb)</p> <p>Side view: 13.5 mm (.53"), 17.7 mm (.70"), 30 mm (1.2"), 3.5 mm (.14")</p> <p>Front view: 8 mm (.32"), 3 mm (.12")</p>	<p>● Add-on type, 10 kg (22 lb)</p> <p>Side view: 35 mm (1.4"), 19 mm (.75"), 31.2 mm (1.2")</p> <p>Front view: 13 mm (.51")</p> <p>*Hanger is not available for Mono Hook 10-A.</p>	<p>● Add-on type, 5 kg (11 lb)</p> <p>Side view: 59 mm (2.3"), 8 mm (.32"), 50 mm (2.0"), 62 mm (2.4")</p> <p>Front view: 25 mm (.98")</p> <p>*Hanger is not available for Mono Hook 5-A.</p>

Parts

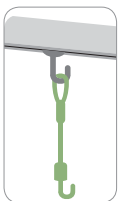
Available two types accessories.



Accessories Tray 300	Multifarious Rack 300
<p>● Add-on type, 3 kg (6.6 lb)</p> <p>Dimensions: 64 mm (2.5"), 124 mm (4.9"), 304 mm (12")</p> <p>Depending on the use, width x height is replaceable.</p> <p>Connectable in the horizontal direction.</p> <p>*Side caps (left and right) are attached on both sides.</p> <p>*Two Joint Pins are required separately.</p> <p>*Allowable load: 3 kg (6.6") does not change.</p>	<p>● Add-on type, 5 kg (11 lb)</p> <p>Dimensions: 115 mm (4.5"), 300 mm (12"), 44 mm (1.7")</p> <p>*Both sides have the Clear Tubes to prevent the body from damaging on the walls.</p>

Hanger

Available dedicated hanger.

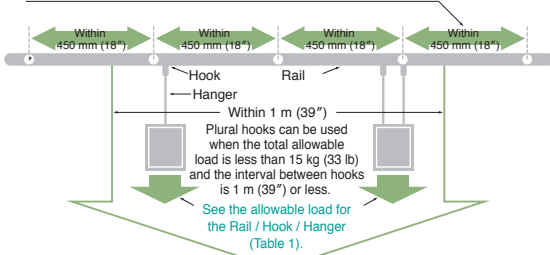


Hanger 15	Hanger 15 Hook (Body)
<p>Wire type hanger (φ1.5 mm/.06"), easy mounting and dismounting.</p> <p>*Allowable load is 15 kg (33 lb).</p>	<p>Available for Hanger 15 by additions.</p> <p>Attachable plural hooks on one wire.</p> <p>*Dedicated component for Hanger 15. Not use for other hangers and wires.</p> <p>Dimensions: 35 mm (1.4"), 9 mm (.35"), 4 mm (.16"), 6.4 mm (.25")</p>

# Picture Rail W-2

## Installation Interval and Allowable Load

At least three mounting screws should be attached (more than 2-pitch) at intervals of 450 mm (18") or less.



\*Plural hooks can be hung when the total allowable load is within 15 kg (33 lb) and the interval between hooks is 1 m (39") or less.

\*Even when hanging a picture with two hangers, the allowable load is 15 kg (33 lb) at maximum. If unexpected trouble occurs during installation, the whole load may tilt to one side and cause a major accident. Remember that the maximum allowable load for a single hanger applies even when hanging a picture with two hangers.

\*While more than one picture can be hung, we recommend that you allow a sufficient space between pictures (more than 1 m/39") to prevent collisions between picture frames during earthquakes, etc.

### Notes on installation

- Picture Rails should be installed on wall surfaces with firm structural support.
- The allowable load for Picture Rail depends on the product and installation method. (Table 1)
- (Table 1) shows the allowable load when Picture Rail is installed at intervals within 450 mm (18") with tapping screws  $\phi 4.0$ .

- If Picture Rail is attached to a lightweight partition material (stud  $t = 0.8 \text{ mm}/.03"$ ), the allowable load is 10 kg (22 lb).
- The allowable loads for the Picture Rail, hook, and hanger differ. When using them in combination, follow the specs shown in Table 1.

## Allowable Load of the Picture Rail / Hooks / Hangers (Table 1)

Product Name		Installation Method	
		Wall Attachment	
Rail	W-2	15 kg (33 lb) *1	
Hooks Allowable Load	W Hook 15-A	15 kg (33 lb)	
	Mono Hook 10-A	10 kg (22 lb)	
	Mono Hook 5-A	5 kg (11 lb)	
Parts Allowable Load	Multifarious Rack 300	5 kg (11 lb)	
	Accessories Tray 300	3 kg (6.6 lb)	
Hangers Allowable Load	Hanger 15	15 kg (33 lb)	
	Interior Hanger	Wire A	10 kg (22 lb)
		Cord A	2 kg (4.4 lb)

\*1: Shows the allowable load when installing on a general wood base ( $t = 15 \text{ mm}/.59"$ ) used for horizontal furring strips, with concrete reinforcement. If installed on a lightweight partition material (stud  $t = 0.8 \text{ mm}/.03"$ ), the allowable load is 10 kg (22 lb).

\*Hangers are not available for Mono Hooks.

## Materials and Finishes

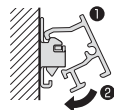
Product	Color	Material	Finish
Rail W-2	White	Aluminum alloy extrusion material	Alumite white
End Stop W-2	White	Polypropylene	White
Bracket	Bracket	Steel	White
	Universal Bracket		
Hook	W Hook 15-A	Zinc die cast	White
	Mono Hook 10-A	Aluminum die cast	
	Mono Hook 5-A	Zinc die cast	
Accessories Tray 300	Body	Aluminum alloy extrusion material	Alumite white
	Side Cap	Rigid polyethylene	—

Product	Color	Material	Finish	
Multifarious Rack 300	Body	SUS 304	—	
	Fixing parts	Silver	Aluminum die cast	Silver
			Tube	Vinyl Chloride Resin
Hanger 15	Wire	Stainless wire $\phi 1.5 \text{ mm}$ (SUS 304)	White	
	Hook	Zinc die cast		
Hanger 15 Hook (Body)	White	Zinc die cast	White	

## Installation Method

### Install for the Rail

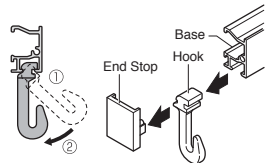
- 1 Hook the rail to the groove of the bracket.
- 2 Push the rail until it snapped fit.



### Install for the Hook

- Insert the hook into the groove under the rail (1), and push in the wall direction (2).

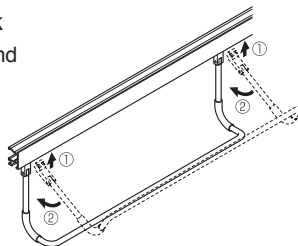
\*When removing, first remove the end stop, then slide and remove the hook.



### Install for the Multifarious Rack

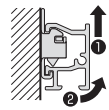
- Simultaneously insert the left and right hook parts into the groove under the rail (1) and push in the wall direction (2).

\*When removing, lift the body in front and remove from the groove.



### Remove for the Rail

- 1 Lift the rail upward.
- 2 Pull the bottom of the rail in front and remove the rail.

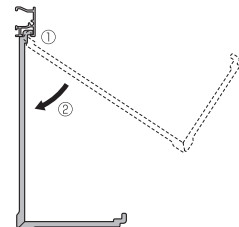


### Install for the Accessories Tray 300

- Insert the Accessories Tray 300 into the groove under the rail (1), and push in the wall direction (2).

\*When removing, lift the body in front, and remove from the rail.

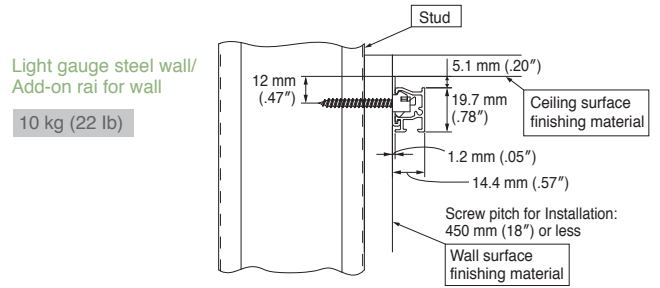
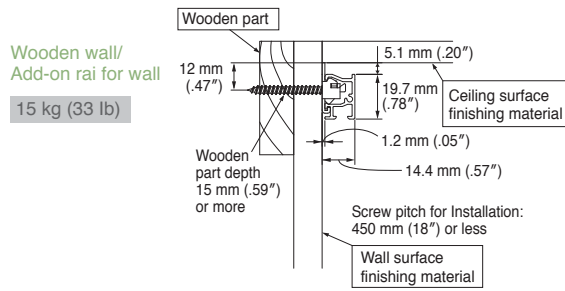
\*When installing/removing, a space of 30 mm is required over the rail. If no space, remove the side cap of the rail, and slide the body from the side to install/remove.



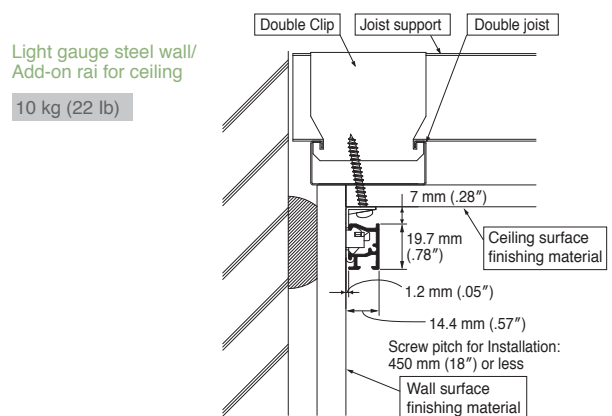
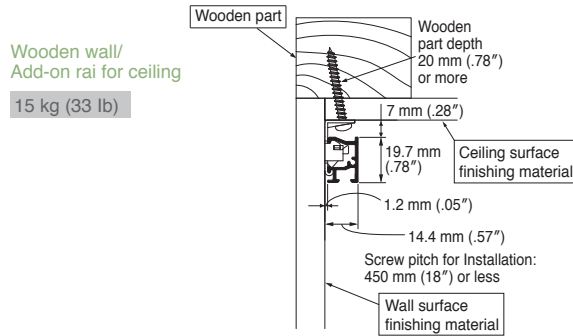
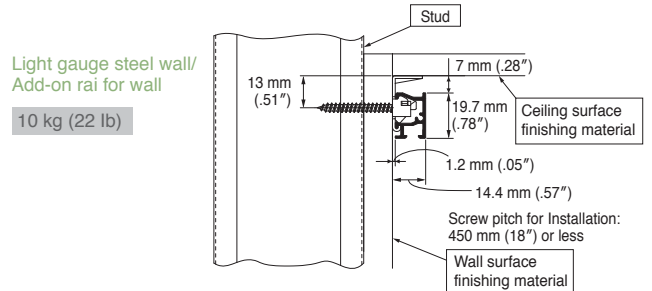
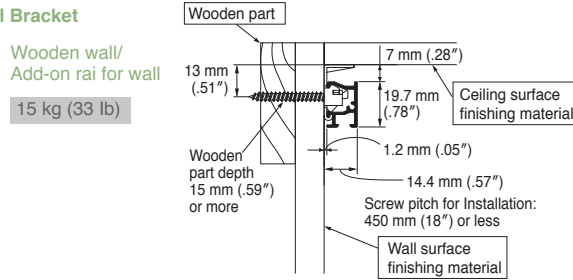
Installation Dimensions and Installation Example

W-2

Bracket



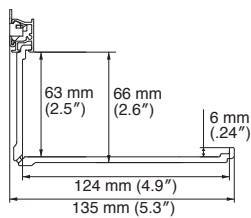
Universal Bracket



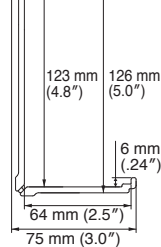
Parts

Accessories Tray 300

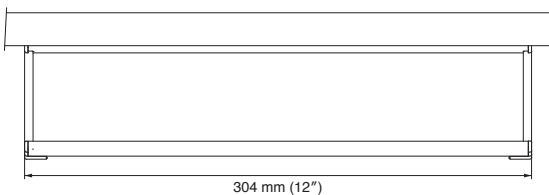
Side view  
Reach out width:  
135 mm (5.3")



Side view  
Reach out width:  
75 mm (3.0")



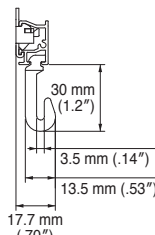
Front view



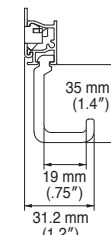
\*Two types of reach out width are usable depending on the attachment way.

Hook

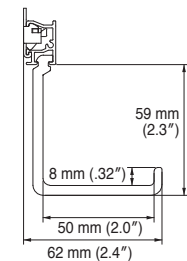
W Hook 15-A



Momo Hook 10-A



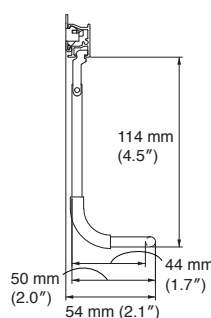
Mono Hook 5-A



Parts

Multifarious Rack 300


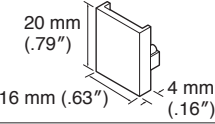
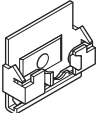
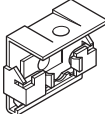
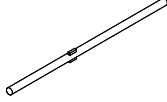
Side view




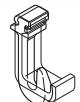
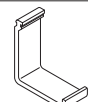
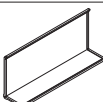
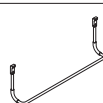


Front view



Picture Rail W-2 Parts

Product Name	Color	Product Code
Picture Rail W-2 	1,000 mm (39")	30005733
	2,000 mm (79")	30005724
	3,000 mm (118")	30005725
End Stop W-2 	White	30005727
Bracket W-2 	White	30005728
Universal Bracket W-2 	White	30005729
Splice 	—	02620020

\*1

Product Name	Color	Product Code
W Hook 15-A 	White	02620169
Mono Hook 10-A 	White	02620170
*Not available for hangers.		
Mono Hook 5-A 	White	30006332
*Not available for hangers.		
Accessories Tray 300 	White	30006331
*2		
Multifarious Rack 300 	—	30006333
Hanger 15 	1,000 mm (39")	00470028
	2,000 mm (79")	00470029
Hanger 15 Hook (Body) 	White	30002359

\*3

\*1 Common parts for Rail and Accessories Tray. Require two pieces for connecting two Accessories Tray. Refer to page 9.

\*2 Side Caps (left and right), Sponge Tape (fall prevention parts for Accessories Tray) 4 pieces are included.

\*3 Parts for Hanger 15. Not available for other Hangers or Wires.

Number of Components

Installation Area	Rail		End Stop	Bracket	Splice
	2,000 mm	3,000 mm			
Up to 1 m (39")	1	—	2	3	—
Up to 2 m (79")	1	—	2	5	—
Up to 3 m (118")	—	1	2	8	—
Up to 4 m (157")	2	—	2	10	1
Up to 5 m (197")	1	1	2	12	1