

CM2000



- Ideal for cord draw or motorized operation of curved drapes.
- Two separate channels inside the track make an S-shaped curve cord draw possible.
- Cord draw for sloping windows possible.

CM2000

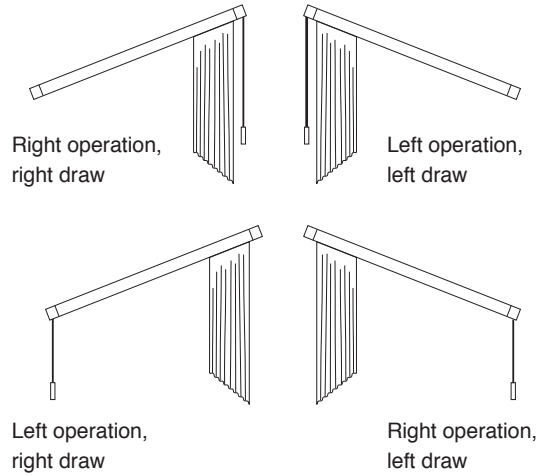
CM2000's Unique Features

Neat stacking of curtains is possible without using a Tension Pulley.

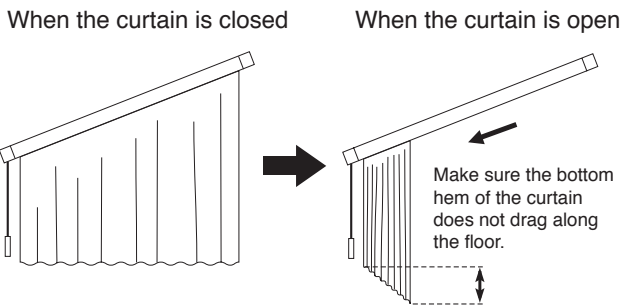


*Tension Weight is necessary.

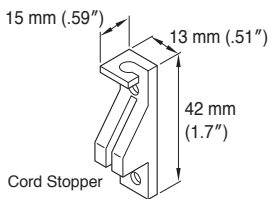
Four operational choices are available. (when the curtain is drawn from a high position)



Precautions when drawing a curtain from a low position.

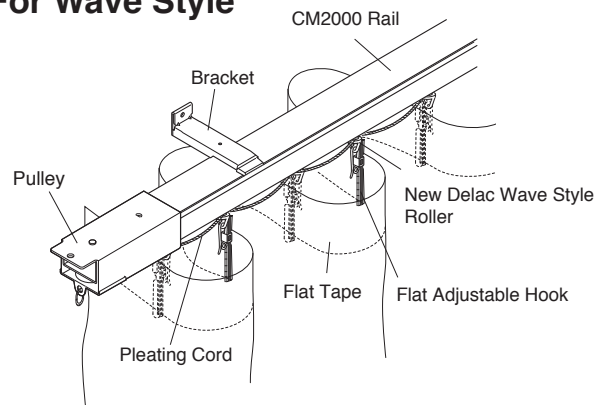


Use a Cord Stopper to stop the curtain at a desired position.



*Using the attachment screws, secure the Cord Stopper in a position where it is easy for a traverse cord to stop.

For Wave Style

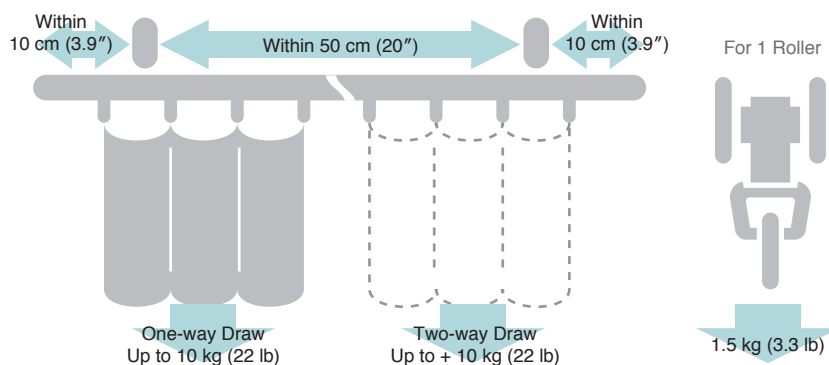


- The Wave Style creates a feeling of naturally flowing fabric.
- The curtains are draped in gentle waves about 1.5–2.2 times the width of window, resulting in a continuity of pattern and texture.
- There is a natural wave in the curtains at intervals of 80 mm (3.2”).
- With its tape and accessories, it creates natural, elegant symmetrical waves.

*Pleating cord keeps waves evenly shaped, making the curtain rich and stylish.

*For more details about Wave Style, please refer to the catalog “New Delac with Wave Style Components”.

Bracket Installation Interval and Allowable Curtain Load



Materials and Finishes

Parts	Material	Finish
Rail	Aluminum alloy extrusion material	Alumite white

Applicable Range for Slanting Window

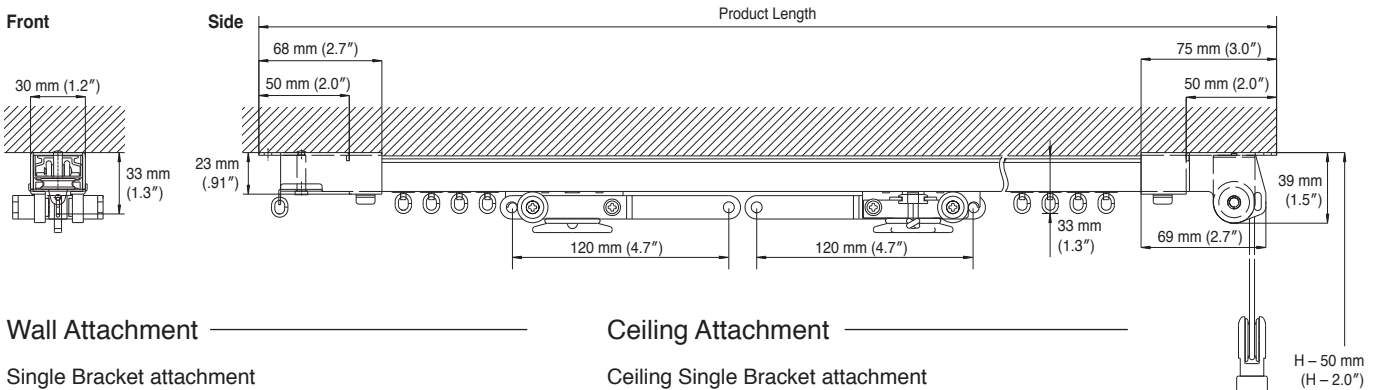
Max. slanting	Max. installation height	Max. curtain weight (*1)
45°	7 m (276")	5 kg (11 lb)

*1 Bracket installation interval: 50 cm (20") or less

Installation Dimensions

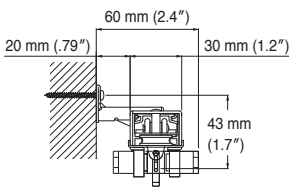
Ceiling Attachment

Direct attachment
(Cord Draw)



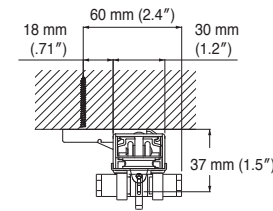
Wall Attachment

Single Bracket attachment
(Bracket width: 19 mm/.75") (Cord Draw)



Ceiling Attachment

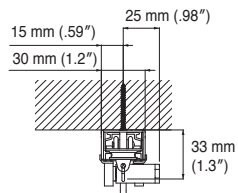
Ceiling Single Bracket attachment
(Bracket width: 18 mm/.71") (Cord Draw)



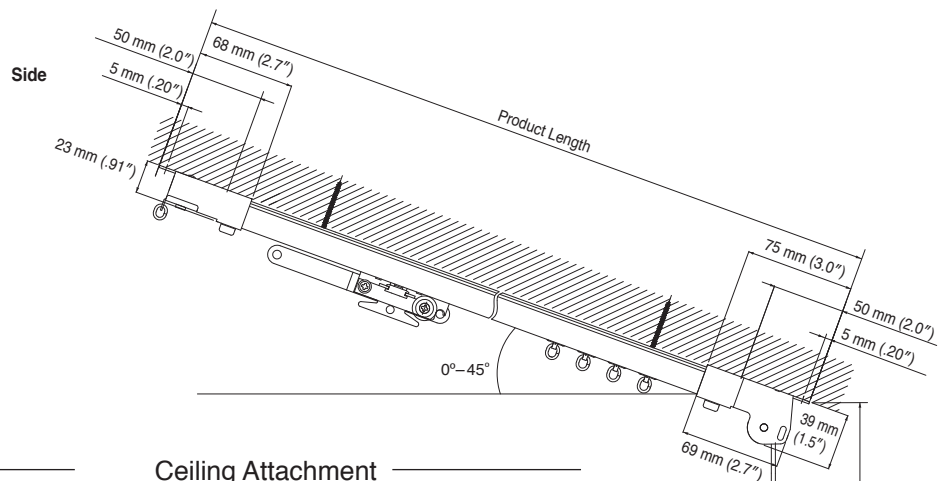
Ceiling Attachment

Direct attachment
(Slope)

Front

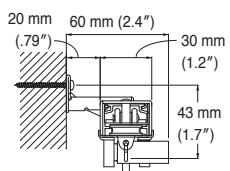


Side



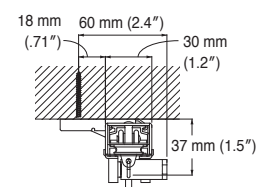
Wall Attachment

Single Bracket attachment
(Bracket width: 19 mm/.75") (Slope)



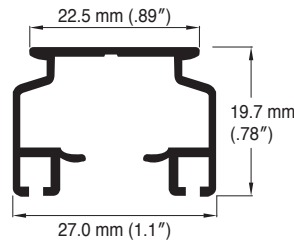
Ceiling Attachment

Ceiling Single Bracket attachment
(Bracket width: 18 mm/.71") (Slope)



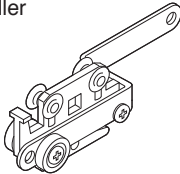
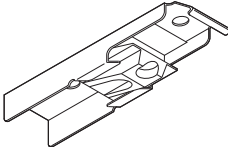
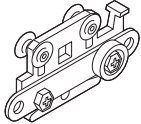
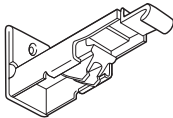
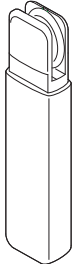
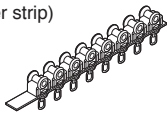

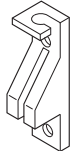

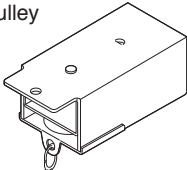
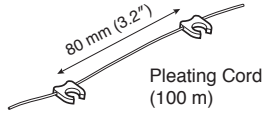
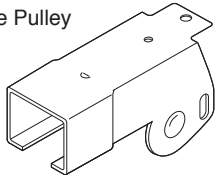
CM2000 Rail

White



Size	Product Code
	White
6.01 m (237")	65150001

CM2000 Parts

Product Name	Product Code	Product Name	Product Code	Product Name	Product Code
Master Roller 	64910110	Ceiling Single Bracket 	00210326	Traverse Cord 2.8 mm DIA. White	00580009
Pilot Roller 	00510198	Single Bracket 	00210324	Tension Weight 	57820001
New Delac Roller (8 pieces per strip) 	00210027	New Delac Intermediate Stop 	00210134	Cord Stopper 	58430004
New Delac Wave Style Roller Set (100 m)  Roller (1,250 pcs)	00210355	Single Pulley 	66970020	Notes: Please use New Delac brackets. Only single brackets are recommended for wall attachment.	
 Pleating Cord (100 m)		Double Pulley 	66970021		