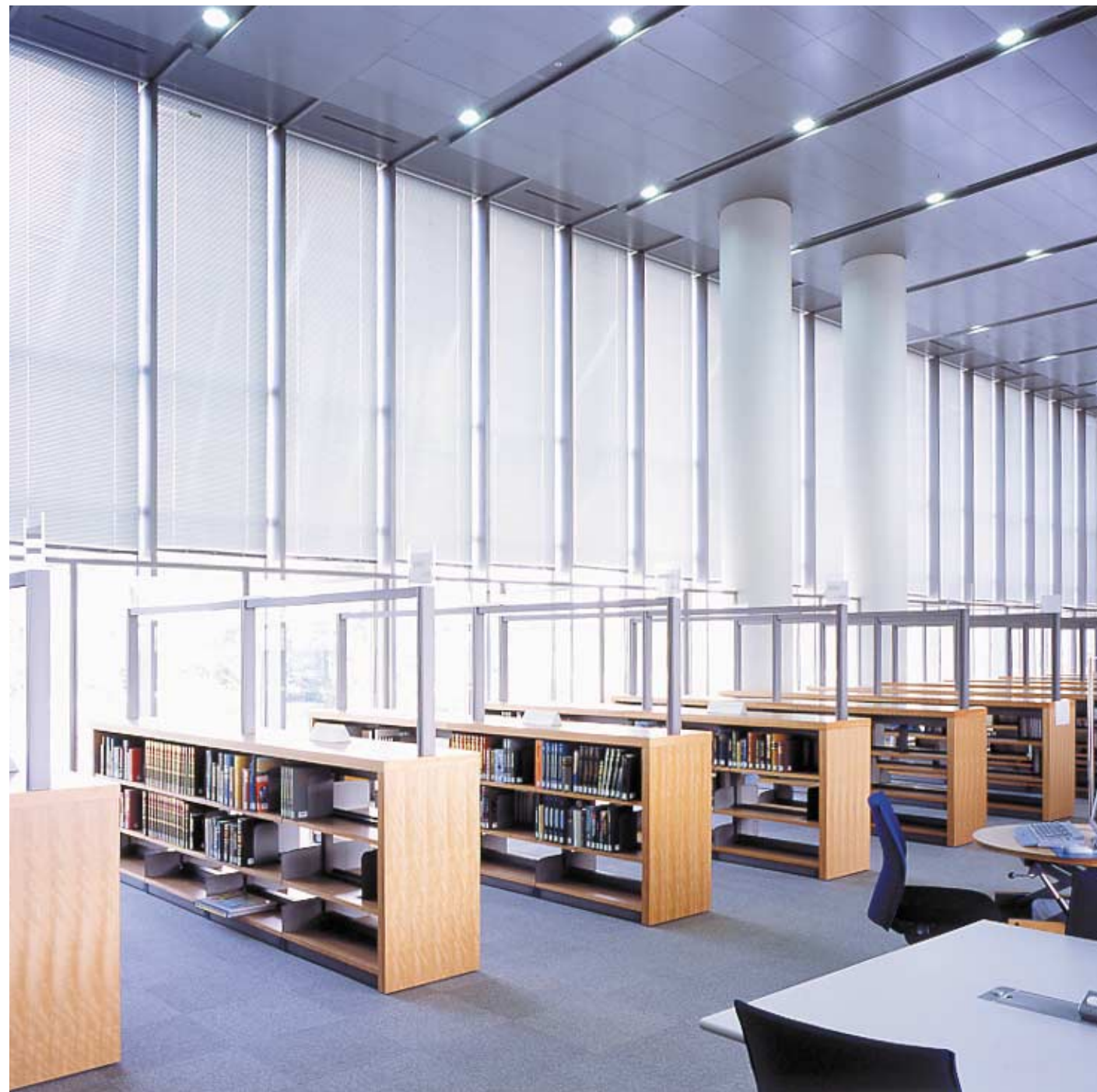


# Super Spacy 25, 35



Maximum dimension: 24 sq.m. Suitable for large windows.  
Slat width 25mm and 35 mm, and total 32 colors available.

### ●Dimensions available for manufacturing

Product Name	Width	Height	Max Area
Super Spacy 25	800~6,000mm	480~10,000mm	24m <sup>2</sup>
Super Spacy 35	800~6,000mm	480~10,000mm	24m <sup>2</sup>

### ●Corresponding colors

Number of colors
32 colors
32 colors

\*See page 127 for color variations.

\*When product width 800 - 1,000 mm, maximum product height is 5,000 mm.

### ●Price

Product Name	Body	Motor
Super Spacy 25	9,500Yen/ m2	62,000yen/unit
Super Spacy 35	7,900Yen/ m2	62,000yen/unit

\*Minimum dimension per product is 4 sq.m.

\*Prices indicated above do not include wiring or installation fee.

### ●Motor Specifications

Power source voltage	V	AC100
Frequency	Hz	50/60
Power source current	A	1.2
Power consumption	W	120
Operating voltage	V	DC12
Operating current	mA	Less than 6
Rated torque	N·m	6.9
Rated rpm	r.p.m	20.5/24.5
Elevation time	sec./m	18
Time rating	min	10
Overheating protection operating temperature	°C	120
Ambient temperature	°C	0~50(No condensation)

\*Specification may vary depending on product size.

### ●Slat Color Number

Corresponding Slat Color Number	TB-118, TB-540, TB-608, TB-610, TB-61, TB-616, TB-642, TB-644, TB-648, TB-654, TB-802, TB-804, TB-832, TB-834, TB-836, TB-842, TB-904
No. of colors	17colors

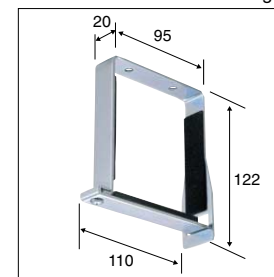
\*See Interior Blind Catalogue for actual slat samples.

### ●Weight Computation Formula(kg)

Product Name	Product Weight
Super Spacy25	$(W/1000) \times (H/2130 + 1.73) + 5$
Super Spacy35	$(W/1000) \times \{(1.4 \times H)/3100 + 1.73\} + 5$

W=product width(mm) H=Height(mm)

### ●Bracket Dimensions Drawing(mm)



### ●No. of brackets(25-35standard)

Product width(mm)	800-1,800	1,810-2,600	2,610-3,200	3,210-6,000
Count	2	3	4	5

### ●Product Height at slats in full raise (mm)

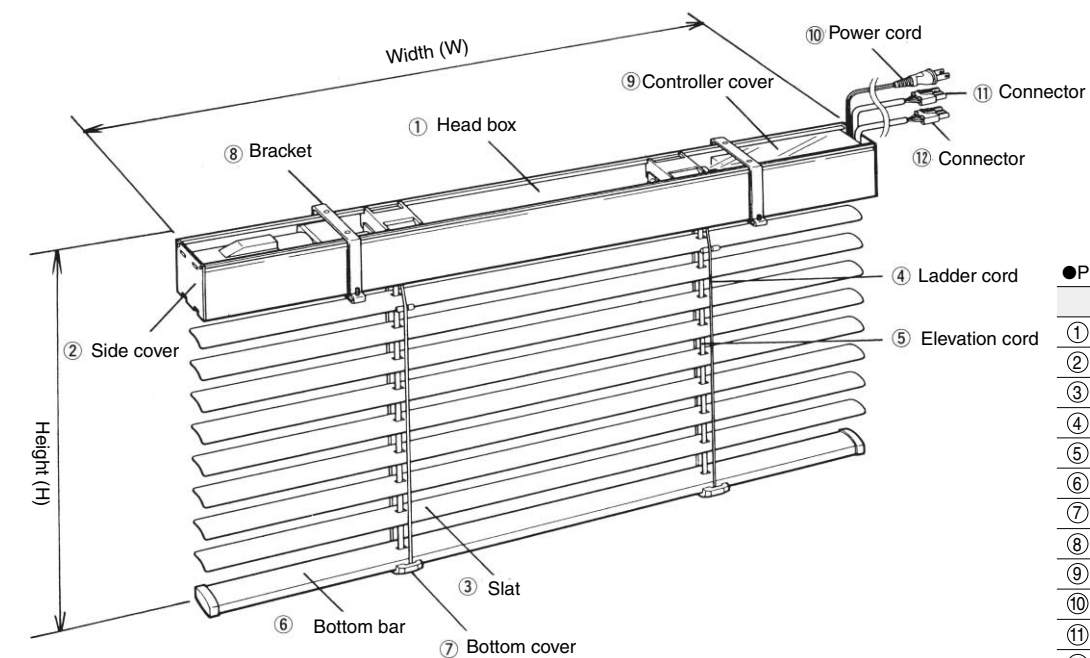
Product Name	Product Height at slats in full raise(mm)
Super Spacy25	$H \times 0.03 + 124$
Super Spacy35	$H \times 0.04 + 129$

H=product height(mm)

\*Height of a blind box: Height indicated above +(no less than)20mm

## ■Structure Drawings

### ●Entire View



### ●Product width

	Product height
①	Aluminum/Silver
②	Aluminum/Silver
③	Aluminum
④	Polyester/similar color as slat
⑤	Polyester/Gray
⑥	Coated Steel/Same or Similar color as slat
⑦	Polycarbonate/transparent
⑧	Steel/Chrome plating
⑨	Polycarbonate/Semi-transparent
⑩	VFF0.75sq. x 2c (1m)
⑪	AWG22 x 4 (0.3M)
⑫	AWG22 x 4 (0.3M)

For detailed information, please contact a local agency.