

Spacy 25, 35, 35 Blackout (Drum operation type recommended for public facilities)



Spacy features automatic-stop for obstacles, and smooth drive with built-in recoiling drums.

Window side: Spacy 25. Indoor side: Forte Loop

● Manufacturing dimensions

Product Name	Width(W)	Height (H)	Max Area
Spacy 25	640~4,000mm	120~4,500mm	9m ²
Spacy 25	640~4,000mm	120~4,500mm	9m ²
Spacy 35 Blackout	480~4,000mm	480~3,500mm	9m ²

Size to be specified in unit of 10 mm.

● Corresponding colors

Number of colors
32colors
32colors
2colors

● Price

Price
9,500 Yen/ m ²
7,900 Yen/m ²
13,200 Yen/m ²

Minimum dimension: 2 sq.m.



Spacy 25,35

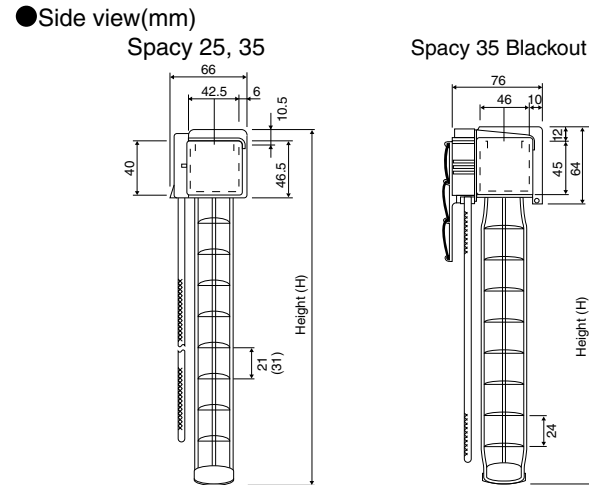
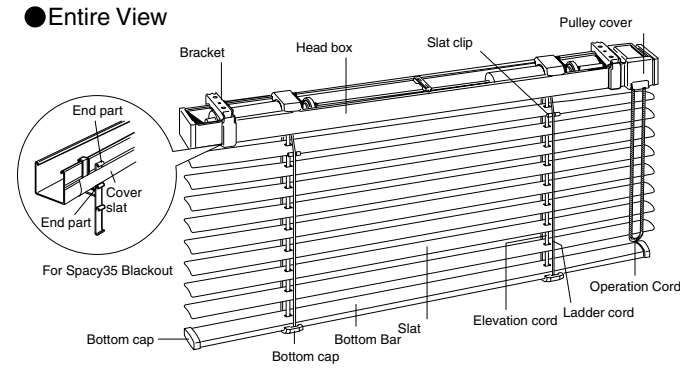


Spacy 35 Blackout

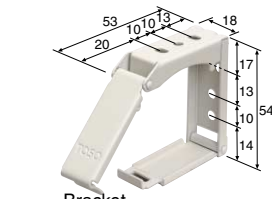
Spacy 25, 35, 35 Blackout



Structure Drawings



Parts

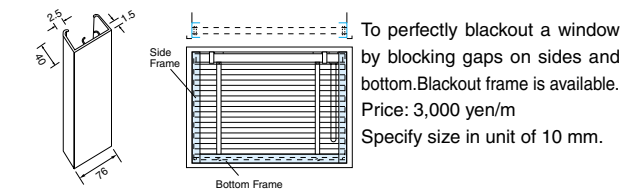


Bracket
(For Spacy 25, 35)

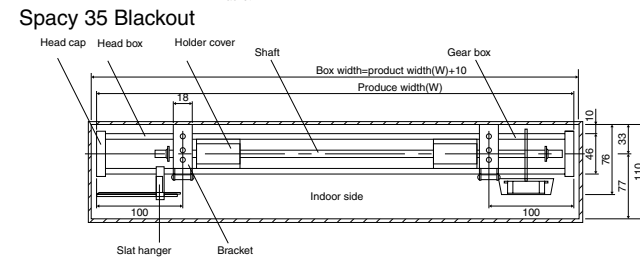
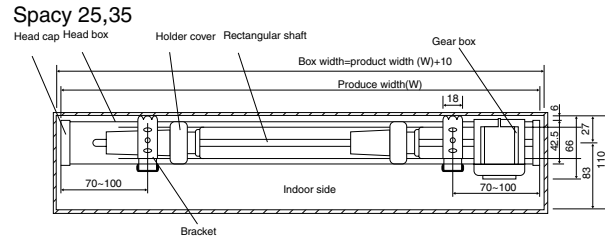
Spacy 25, 35	
Product width(mm)	Bracket quantity
640~1,350	2
1,360~2,590	3
2,600~3,600	4
3,610~4,000	5

Spacy 35 Blackout	
Product width(mm)	Bracket quantity
480~1,600	2
1,610~3,000	3
3,010~4,000	4

Options Blackout frame (for Spacy 35 Blackout)

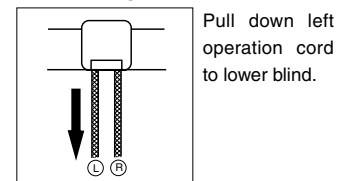


Basic Housing Diagram (mm)

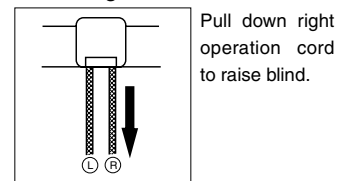


Operation Method

Lowering a blind



Raising a blind



Stopping a blind

If you release the cord from your hand, the blind stops.

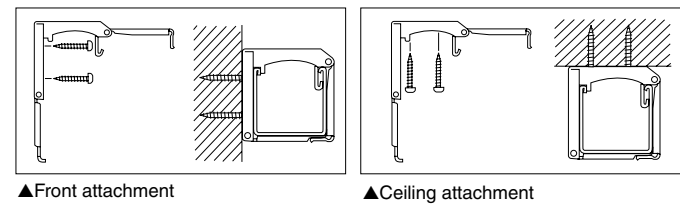
Slat angle adjustment

Pull the operation cord to adjust the angle.

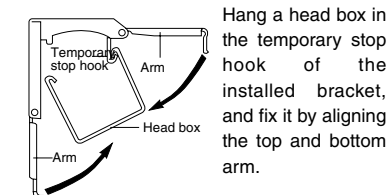
Installation Method

1. Bracket installation

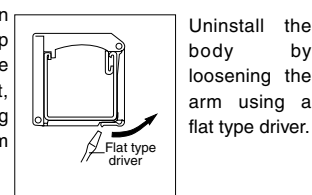
Install a bracket using the fixing screws provided.



2. Installing a blind



3. Uninstalling a blind



Size measuring method

When installed inside of a window frame (ceiling attachment): Measure internal dimension of frame, and make allowance for 10mm in measured width and height.

When installed on the outside (front) of a window frame (front attachment): Make the product size (both width and height) be the same as the outer dimensions of a window frame.

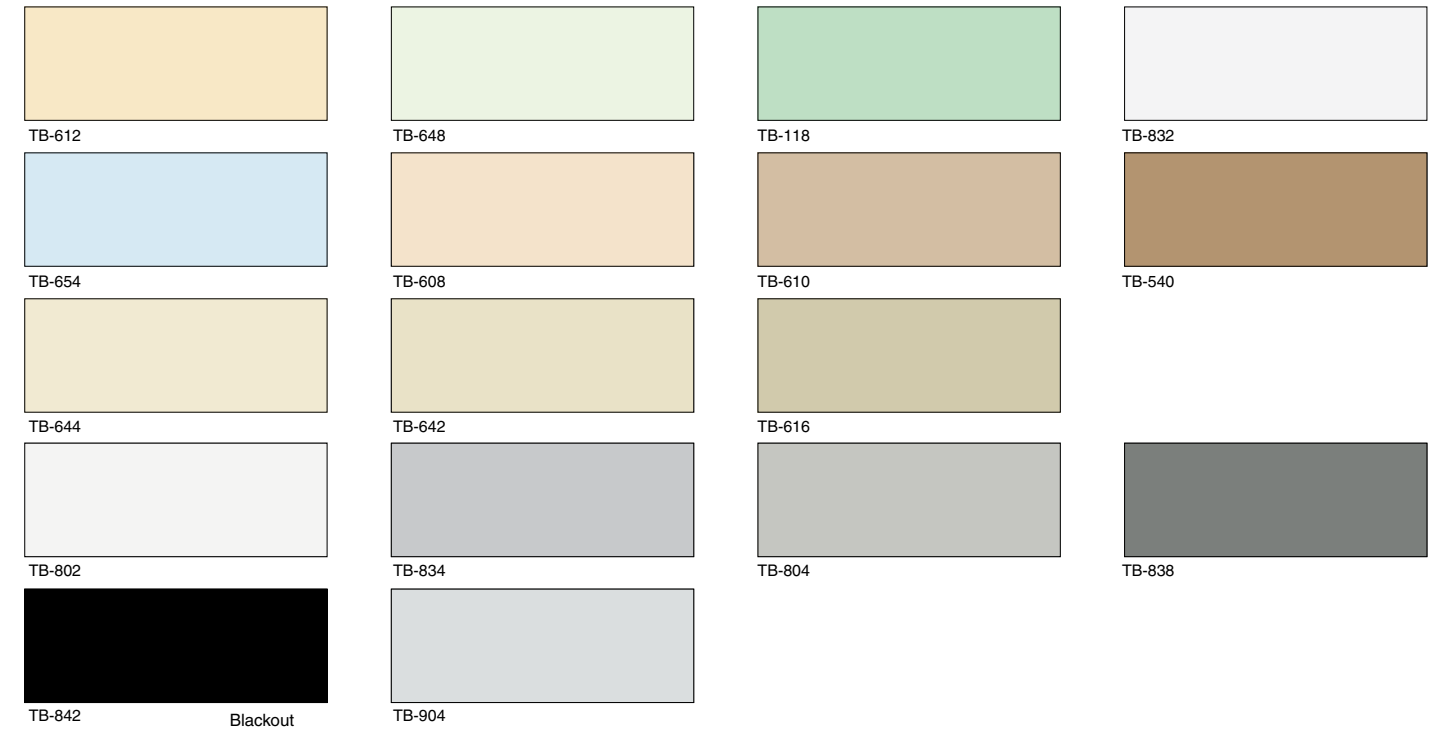
When installed inside of a curtain box (blind box)

Width: Measure internal width of a box, and make allowance for 10 mm
Height: Make the measurement from the inner top of a box.
*Be sure to specify installation height, (height from floor to bracket). If not specified, operation cord may not be in correct length. [When installation height is specified]: Operation cord length=Installation height - 600mm [When installation height is not specified]: Operation cord length=Product height - 100mm

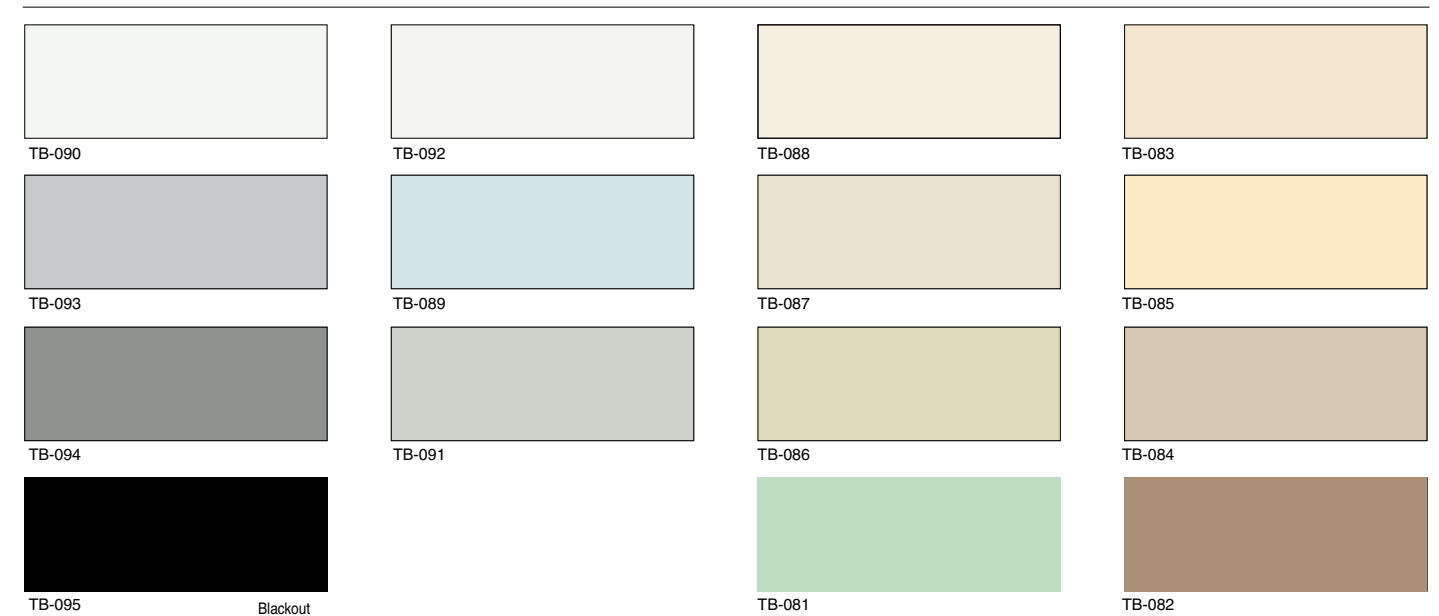
Color Variations

2 Colors available for Spacy 35 Blackout

Basic Tone Color



Heat-shielding Slat Color Heat-shielding slat that reflect infra-red ray.



*See Interior Blind Catalogue for actual slat samples.

Ordering Method

- 1 Specify a product name.
- 2 Specify a product number.
- 3 Specify the product size (width, height).
*Please note that finished product height may be tolerated for a few millimeters.
- 4 Specify Operational position. (left or right side).
- 5 Be sure to specify installation height. (height from floor to bracket).
If not specified, operation cord may not be in correct length.
[When installation height is specified]: Operation cord length=Installation height - 600mm
[When installation height is not specified]: Operation cord length=Product height - 100mm
- 6 Specify the number of products.
- 7 Specify the necessary option parts.