

Picture Rail T-1, T-2N, T-3N, T-4N



Rail specifically designed to hang framed art works in Museum and Gallery. Available in two colors.

Color Variations

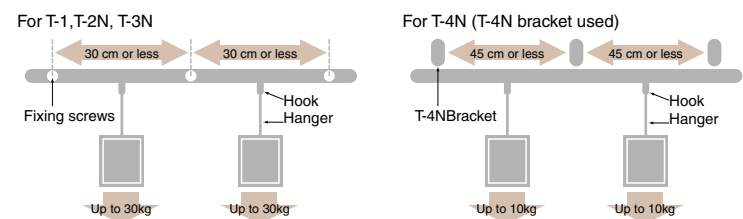


Reference Quotation Example (4 m)

Color	Wall attachment				Ceiling attachment		
	T-1	T-2N	T-3N	T-4N	T-1	T-2N	T-3N
Natural	6,100	7,200	6,900	12,100	6,300	7,400	7,100
White	7,200	8,500	8,100	13,100	7,500	8,700	8,300

※ Product used / T-1 : 1 rail, 4 hooks (hook B for Wall attachment, and hook A for ceiling attachment), 2 caps T-2N, 3N : 1 rail, 4 hooks (hook B for Wall attachment, and hook A for ceiling attachment), 2 caps T-4N : 1 rail, 4 Hook A, 10 single brackets 2 caps, 10 reinforcement plate sets

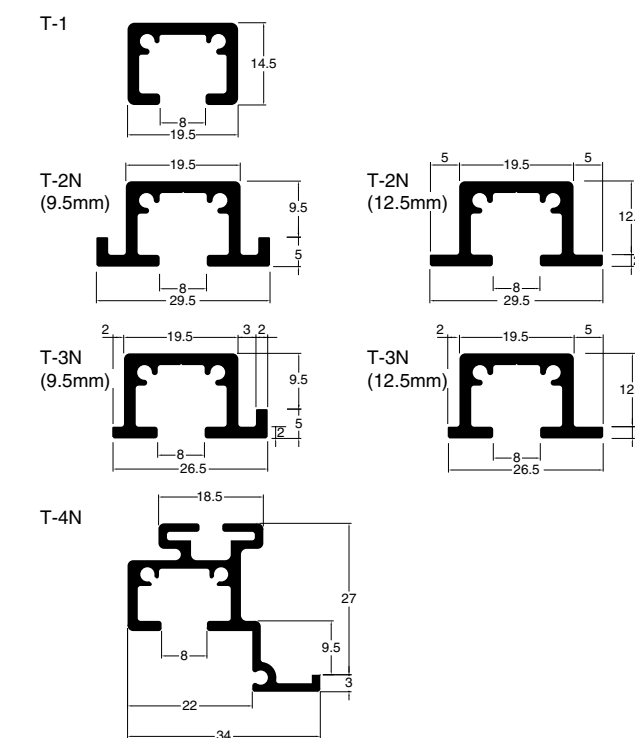
Installation intervals and allowable load



Rail: Maximum weight (Intervals of fixing screws: 30cm or shorter)			Max 30kg
Hook: Maximum weight	Hook	A	30kg
		B	
		C	
Roller Hook	Roller Hook	A	30kg
		B	
Hanger: Maximum weight			Hanger E 30kg

The rail, hook and hanger shall be combined not to exceed the intervals of allowable load.

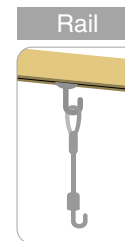
Rail Cross Section (Unit: mm)



Material and Finish

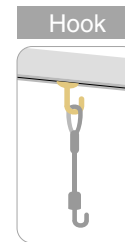
Part Name	Color	Material	Finish
Picture Rail T-1, T-2N, T-3N, T-4N	Natural	Aluminum alloy	Alumite
	White	pressed metal	Alumite White
A.B.C	Hook	Tin	Nickel coating
		SUS304	—
	Body	Tin	White
		SUS304	
Roller Hook A.B	Hook	Tin	Nickel coating
		Steel	
	Wheel	Tin	White
		Steel	

Part Name	Color	Material	Finish
Cap T-1	Natural	Polyethylene	Natural
	White		White
Cap T-2N, 3N, 4N	Natural	Aluminum	Natural
	White		White
Hanger E 1000, 1500, 2000, 2500, 3000	Body	SUS304	—
	Hook	SUS304	—
	Wire	Stainless wire - 1.8 φ (SUS304)	—



Front-attached Type and Built-in Type are available in two color variations.

Name	Color	Maximum Weight	
Front Attached Type Type mounted on existing wall	Natural white	Total 30kg Used wide range of exhibitions such as picture or photo panels. Fixing intervals: 450mm Use the bracket for T U4N	
Built-in Type Type built in in the wall or ceiling.	Natural white		T-2N 9.5mm
			T-3N 9.5mm
			T-4N 12.5mm
※T-2N and T-3N have two variations depending on board thickness.			



5 types of exclusive hooks are available.

○Refer tables for applicable rails.

Hook A (Ceiling Attachment)

- Last-in, Fix Type

Rail Type	
T-1	○
T-2N	○
T-3N	○
T-4N	○

Hook B (Wall Attachment)

- Last-in, Slider Type

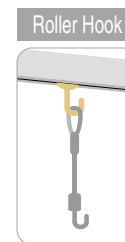
Rail Type	
T-1	○
T-2N	○
T-3N	○
T-4N	—

Hook C (Ceiling Attachment)

- Pre-install, Slider Type

Rail Type	
T-1	○
T-2N	○
T-3N	○
T-4N	○

※ Total allowable load is 30kg.
※ Hooks are available in two colors to coordinate with rails.



2 types of exclusive roller hooks are available.

○Refer tables for applicable rails.

Roller Hook A (Ceiling Attachment)

- Pre-install, Roller Type

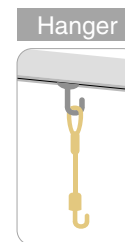
Rail Type	
T-1	○
T-2N	○
T-3N	○
T-4N	—

Roller Hook B (Wall Attachment)

- Pre-install, Roller Type

Rail Type	
T-1	○
T-2N	○
T-3N	○
T-4N	—

※ Total allowable load is 30kg.
※ Roller hooks are available in two colors to coordinate with rails.



Includes an exclusive hanger.

Hanger-E(1000 • 1500 • 2000 • 2500 • 3000)

Easily removable wire type hanger.
Hanger is made of wire (18mm φ).

Applicable to all of T.1-4N.

※ The allowable load is 30kg.



T-1



T-4N

Picture Rail T-1, T-2N, T-3N, T-4N

Item No of Picture Rail

Product Name	Color	3.00m	4.00m
		Item No	Item No
T-1	Natural	02620006	02620007
	White	02620074	02620075
T-2N	9.5mm	Natural	02620076
		White	02620077
	12.5mm	Natural	02620078
		White	02620079
T-3N	9.5mm	Natural	02620088
		White	02620081
	12.5mm	Natural	02620084
		White	02620085
T-4N	Natural	02620041	02620041
	White	02620080	02620080

Product Name	Color	3.00m	4.00m
		Item No	Item No
T-1	Natural	02620121	02620122
	White	02620111	02620112
T-3N	9.5mm	Natural	02620113
		White	02620117
	12.5mm	Natural	02620114
		White	02620118

Picture Rail Part Price

Product Name	Color	Item No.	Quantity in Box	Box Packing Price
Hook A for T-1, T-2N, T-3N, T-4N	—	02620003	1 piece	500
	White	02620093		580
Hook B for T-1, T-2N, T-3N	—	02620004	1 piece	450
	White	02620094		520
Hook C for T-1, T-2N, T-3N, T-4N	—	02620040	1 piece	300
	White	02620095		350
Roller Hook A for T-1, T-2N, T-3N, T-4N	—	02620089	1 piece	450
	White	02620090		520
Roller Hook B for T-1, T-2N, T-3N	—	02620091	1 piece	450
	White	02620092		520
Joint Pin for T-1, T-2N, T-3N, T-4N	—	02620020	1 piece	40
Hanger E for T-1, T-2N, T-3N, T-4N	1000	02620021	1set	2,800
	1500	02620022		3,000
	2000	02620023		3,200
	2500	02620024		3,400
	3000	02620025		3,600
Reinforcement Plate Set for T-1, T-2N, T-3N	—	02620005	1 piece	150
Bracket35 for T-4N only	Standard	02620043	1 piece	300
Bracke55 for T-4N only	Standard	02620044	1 piece	350
Bracket80 for T-4N only	Standard	02620045	1 piece	450

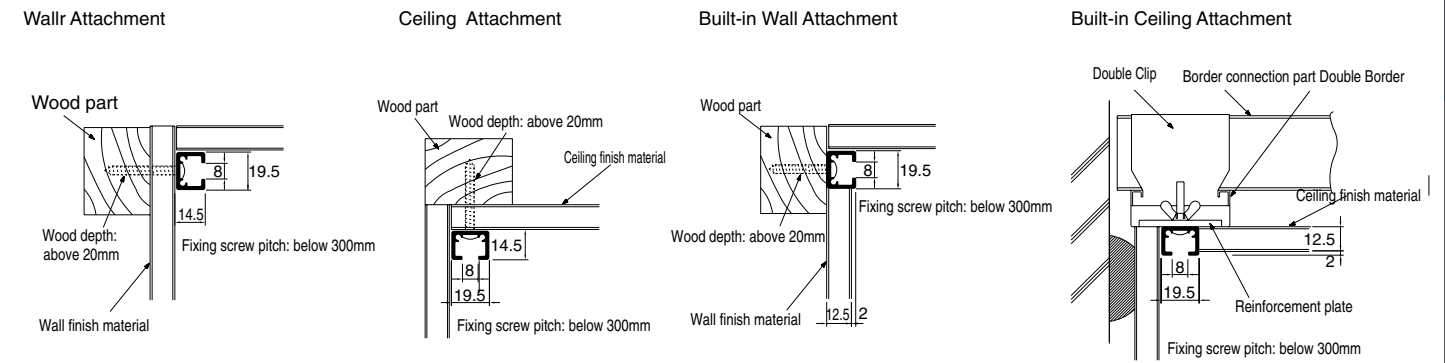
(in Yen)

Product Name	Color	Item No.	Quantity in Box	Box Packing Price
Corner Joint For T.4N only	Standard	02620036	1 piece	450
Corner Joint For T.4N only	Standard	02620035	1 piece	450
Cap Stop Usable for both left and right side	Natural	02620068	1 piece	200
	White	02620096		
CapT-2N(9.5) Usable for both left and right side	Natural	02620097	1 piece	250
	White	02620098		
CapT-2N(12.5) Usable for both left and right side	Natural	02620099	1 piece	250
	White	02620100		
Cap T.N(9.5) right	Natural	02620101	1 piece	250
	White	02620102		
Cap T.3N(9.5) left	Natural	02620103	1 piece	250
	White	02620104		
Cap T.3N (12.5) right	Natural	02620105	1 piece	250
	White	02620106		
Cap T.3N(12.5) left	Natural	02620107	1 piece	250
	White	02620108		
Cap T.4N right	Natural	02620054	1 piece	300
	White	02620109		
Cap T.4N left	Natural	02620056	1 piece	300
	White	02620110		

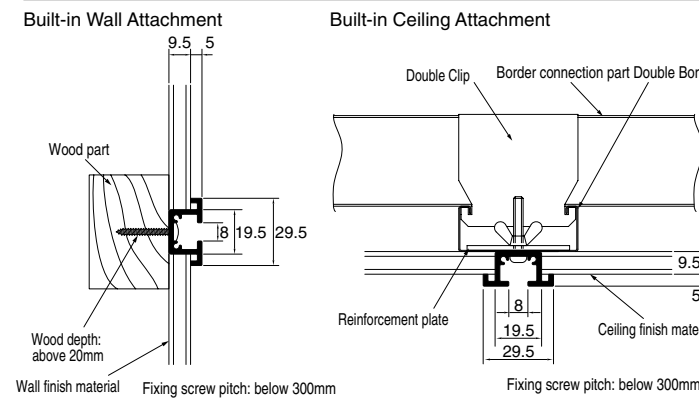
(※1) Upon installation on a ceiling border (W bar), use a reinforcement plate set
 (※2) The "reinforcement plate set" consists of a reinforcement plate, one each of bolt, nut, and butterfly nut.
 (Not available for T-4N)
 (※3) When using a corner joint (for T-4N only), cut the rail end to be slanted (45 degree)
 (to fit the internal and external corner).
 (※4) Please, place an order in order units.

Installation Dimension and Drawing (mm)

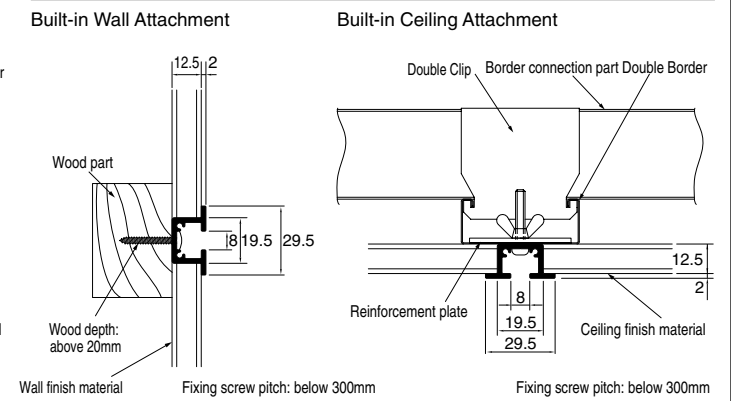
T-1



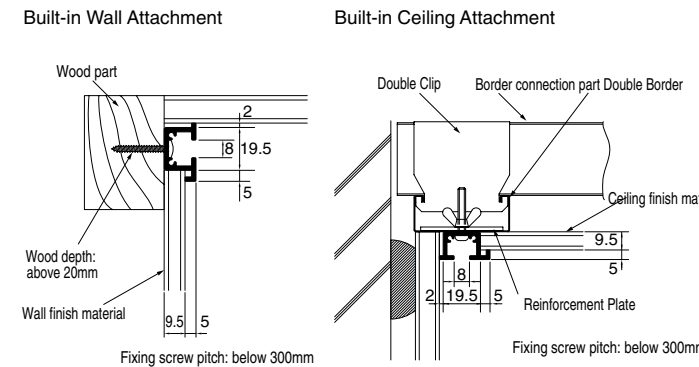
T-2N(9.5mm)



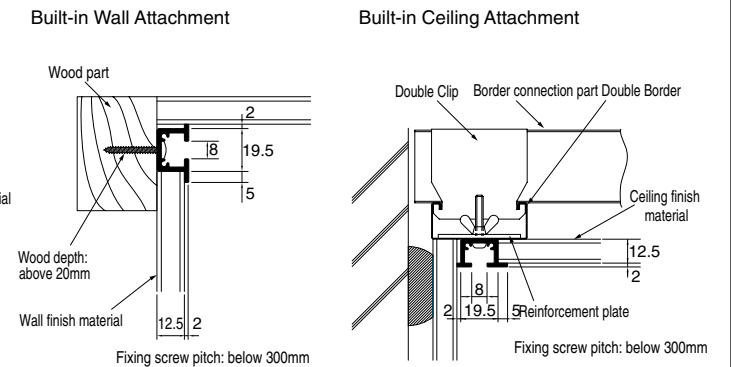
T-2N(12.5mm)



T-3N(9.5mm)



T-3N(12.5mm)



T-4N

