

New Delac

JIS certified factory (JIS A4802-375188) excluding aluminum tracks.

Functional Curtain Rail
New Delac features smooth running roller and variety of optional components for diverse needs.



Color Variation



Reference Quotation Example

(Unit: Yen)

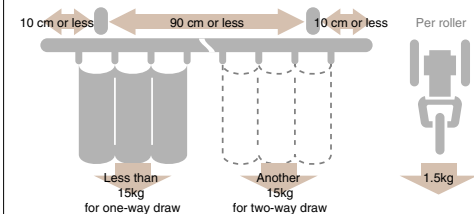
Color	Single front attachment		Double front attachment		Ceiling direct attachment	
	1.82m	2.00m	1.82m	2.00m	1.82m	2.00m
Stainless	2,348	2,542	4,954	5,342	2,132	2,326
Steel Umber	2,194	2,358	4,598	4,926	1,864	2,028
Steel Warm White	2,062	2,206	4,334	4,622	1,732	1,876
Aluminum Umber	3,324	3,618	6,858	7,446	2,994	3,288
Aluminum Warm White	3,492	3,806	7,194	7,822	3,162	3,476
Aluminum Natural	2,908	3,172	6,074	6,602	2,692	2,956

Parts
Single attachment: one Rail, Roller 1.82m=16 pieces, 2.00m=18 pieces, 1pair of Magnet Roller, 2 pieces of Cap Stop, 3 pieces of Bracket(excludinnt)
Double attachment 2 Rails, Roller 1.82m=32 pieces, 2.00m=36 pieces, 2 pair Magnet Roller, 4 pieces of Cap Stop, 3 pieces of Bracket

Material and Finish

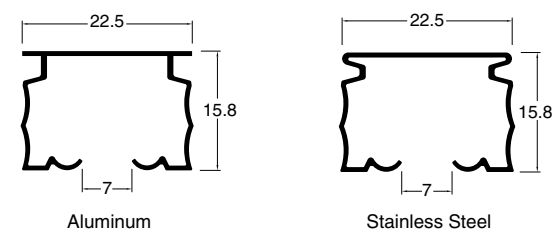
Part Name	Material	Finishing
Rail	Stainless	SUS430 cold rolling stainless
	Steel Umber	Vinyl chloride
	Steel Warm White	
	Aluminum Umber	Aluminum extrusion materials
	Aluminum Warm White	
	Aluminum Natural	
Roller	Blade	Hard Polyethylene
	Wheel	Hard Polyethylene
	Oval ring	SUS304
Bracket	Main body	Nylon
	Main body	SUS304
	Main body	Steel
	Materials	Acetal Resin

Bracket installation interval and allowable curtain load



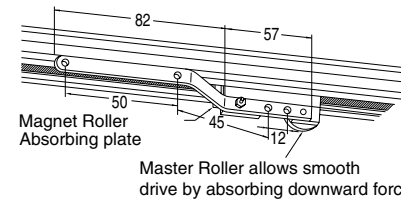
Rail Cross Section

(Unit: mm)



Better light shielding with Master Roller.

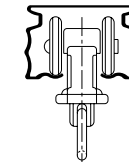
Master Roller prevents unwanted light to stream into rooms. Overlapped arms shield light.



*Perfect light shielding may not be possible depending on window types and installation. Please see a specialist for designing window covering for a dark room or a photo-lab.

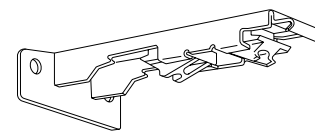
Noiseless Rollers reduces operation noise.

Reducing noise caused by opening and closing curtains, Noiseless rollers are optionally available for medical facilities, offices, and bedrooms.

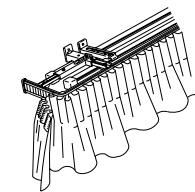


NT Bracket to install on narrow base.

When base is not tall enough to install, NT Bracket can be fixed by one screw on each side.

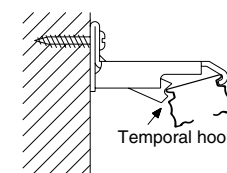


Adopts New Valance rail for decoration.



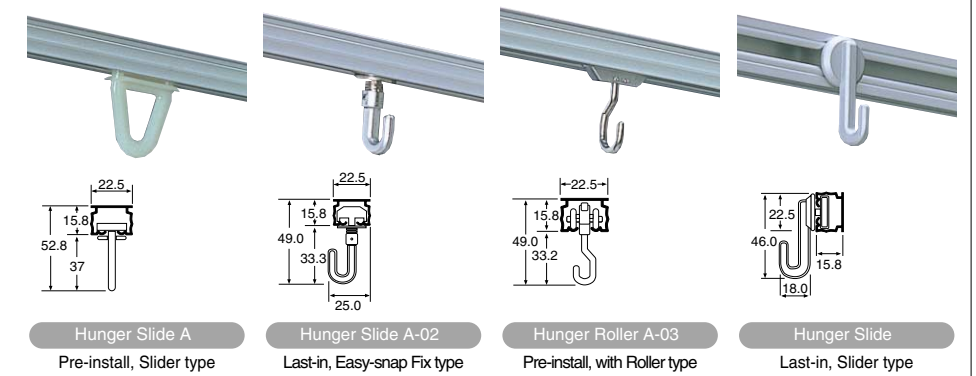
Adjustment of rail position and installation is easy with temporal hooks on New Delac Brackets. (Excluding Extra Brackets)

Brackets with temporal hooks. Temporal hooks hold rails while adjusting rail position. Push rail into brackets until securely fastened.



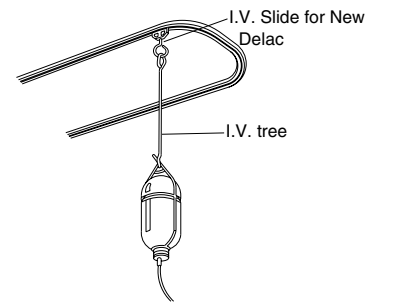
With Hunger Slides, New Delac functions as picture rail.

In galleries, exhibition facilities, and homes, New Delac hangs art pieces with Hunger Slides that can stop in place. The Hunger Slide also features free stop mechanism for easy re-positioning.



I.V. Slide available for use as Intravenous rail.

With its durability and safety, New Delac is popular as Intravenous rail in medical facilities. I.V. Slide is designed to lock completely by weight of I.V. bottle. The wheel is made of special resin to greatly reduce sliding noise.



Motorized New Delac available (with Powerful motors)

For large and wide windows and operating heavy curtains.



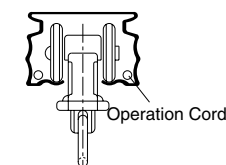
■ Pricing example of New Delac Aluminum Natural + Powerful Motor (in Yen)

Drive	2.00m	3.00m	4.00m	5.00m	6.00m
Wire	74,300	76,200	78,200	81,100	82,400

*Pricing for one set with: Two-way draw, Ceiling Single attachment, Pulse Switch, and Powerful 4P. Roller: 8 pcs/m, Ceiling Single Bracket M2: 1pc/500mm.
*Assembling and installation fee is not included.
*Assembling fee is 750 yen/m
*Cord Clips are not included.
*Please contact a local agency for more information on wiring and assembling.

Separate groove for each operation cord and roller.

Easy to assemble, and entwining-free New Delac cord draw type is functional with grooves for cord and roller.



Cord Draw assemble set is available.

*Colors of actual product may appear different from pictures above. Prices do not include consumption tax or installation fee.

New Delac

(Unit: Yen)

Product Name (Color)	Rail						Curve Rail (180R)		Overlap
	1.82m	2.00m	2.73m	3.00m	3.64m	4.00m	0.40mx-0.40m	1.00mx-1.00m	0.50m
Item No.	Item No.	Item No.	Item No.	Item No.	Item No.	Item No.	Item No.	Item No.	Item No.
Stainless	00210044	00210041	00210042	00210066	00210071	00210072	00210069	00210070	—
Steel Umber	00210080	00210077	00210078	00210075	00210076	00210073	00210055	00210056	00210022
Steel Warm White	00210045	00210146	00210147	00210148	00210199	00210150	00210151	00210152	00210153
Aluminum Umber	00210036	00210038	00210039	00210040	00210047	00210048	00210045	00210046	00210043
Aluminum Warm White	00210226	00210227	00210228	00210229	00210230	00210231	00210232	00210233	00210234
Aluminum Natural	00210120	00210121	00210122	00210123	00210124	00210125	00210126	00210035	00210208

Length of separate rail is limited to 5m. If it exceeds 4m, check how to transport when you place an order.
Rail cutter for stainless and steel rails are available.

New Delac Set Price (* indicates custom-made Set)

(Unit: Yen)

Color	Size	1.82m		2.00m		2.73m	
		Price	Box Price	Price	Box Price	Price	Box Price
Stainless(*)		2,240	44,800	2,430	48,600	3,170	63,400
Steel Umber		1,970	39,400	2,130	42,600	2,760	55,200
Steel Warm White		1,840	36,800	1,980	39,600	2,560	51,200
Aluminum Umber(*)		3,100	62,000	3,390	67,800	4,450	89,000
Aluminum Natural(*)		2,800	56,000	3,060	61,200	4,020	80,400

Color	Size	3.00m		3.64m		4.00m	
		Price	Box Price	Price	Box Price	Price	Box Price
Stainless(*)		3,430	68,600	4,020	80,400	4,350	87,000
Steel Umber		2,970	59,400	3,460	69,200	3,720	74,400
Steel Warm White		2,750	55,000	3,210	64,200	3,440	68,800
Aluminum Umber(*)		4,850	97,000	5,720	114,400	6,220	124,400
Aluminum Natural(*)		4,370	87,400	5,150	103,000	5,600	112,000

Contents of set /one Rail, Roller 1.82m=16 pieces, 2.00m=18 pieces, 2.73m=26 pieces, 3.00m=28 pieces, 3.64m=34 pieces, 4.00m=36 pieces. Magnet Roller 1set, 2 cap stoppers. Brackets are not included

New Delac Parts Price

Product Name	Color	Item No.	BoxQuantity	Box Price
Roller (8 pieces per strip)	Standard	00210027	600 pieces	22,200
	Umber	00210185		24,000
Magnet Carrier	Standard	00210054	10 pairs	3,200
	Umber	00210186		3,400
One-way Magnet Carrier	Standard	00210054	10 pairs	2,400
	Umber	00210187		2,600
NN Roller (Last-in is available after installation)	—	00210008	100 pieces	3,700
Noiseless Roller	Standard	00210188	600 pieces	48,000
	Umber	00210051		49,800
Noiseless Magnet Roller	Standard	00210189	10 sets	4,600
	Umber	00210050		4,800
Noiseless Magnet Carrier	Standard	00210190	10 pieces	3,400
	Umber	00210049		3,600
Soundproof Packing (Use with Noiseless Roller for better performance.)	—	00210023	100 pieces	2,400
Overlap Magnet Carrier for Hand (See the note below.)	—	00210006	5 sets	3,150
Single Bracket	Standard	00210213	50 pieces	3,600
	Umber	00210214		5,500
	Warm White	00210215		5,500

Use Curve Rail in combination with rail over 240mmR. It cannot be used with 180mmR.

Product Name	Color	Item No.	BoxQuantity	Box Price
Extra Single Bracket	Standard	00210012	50 pieces	5,000
	Umber	00210084		7,500
	Warm White	00210155		7,500
Double Bracket	Standard	00210216	20 pieces	4,600
	Umber	00210217		5,800
	Warm White	00210218		5,800
NT Double Bracket	Standard	00210216	20 pieces	4,600
	Umber	00210223		5,800
	Warm White	00210224		5,800
Extra Double Bracket	Standard	00210109	20 pieces	6,000
	Umber	00210082		7,800
	Warm White	00210157		7,800
Ceiling Single Bracket	Standard	00210191	50 pieces	3,600
	Umber	00210192		5,500
	Warm White	00210193		5,500
Ceiling Double Bracket	Standard	00210219	20 pieces	4,200
	Umber	00210220		5,000
	Warm White	00210221		5,000
Extra Ceiling Double Bracket	Standard	00210107	20 pieces	5,200
	Umber	00210196		6,200
	Warm White	00210197		6,200
Overhead Hanger	Standard	00210105	20 pieces	1,200
	Umber	00210198		2,000
	Warm White	00210199		2,000
Wall Bracket	Standard	00210015	20 pieces	1,200
	Umber	00210201		1,660
	Warm White	00210202		1,660
End Cap	Standard	00210010	50 pieces	2,500
	Umber	00210086		3,300
	Warm White	00210086		3,300

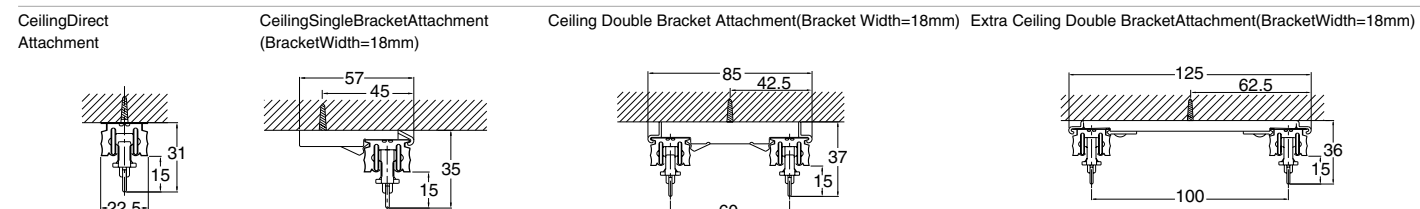
Indicates click-in bracket.

New Delac Parts Price

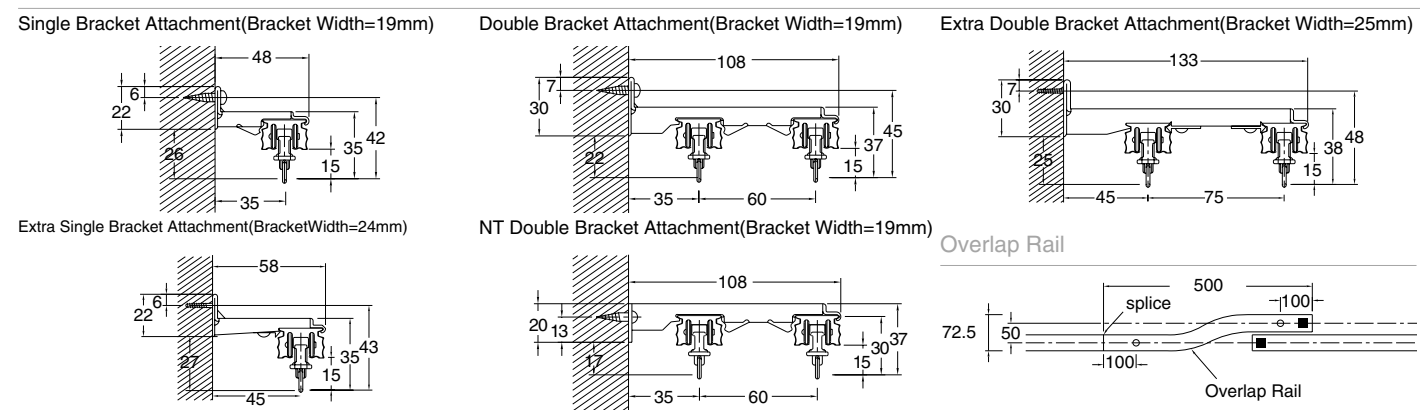
Product Name	Color	Item No.	Box Quantity	Box Price
End Cap B	Standard	00210135	50 pieces	2,500
	Umber	00210137		3,300
	Warm White	00210200		3,300
Intermediate Stop	—	00210134	40 pieces	2,000
	Standard	00530063	30 pieces	1,500
Fitting for Return	—	00210134	40 pieces	2,000
Pulley Set	Standard	00210002	10 pairs	4,100
	Umber	00210081		5,600
	Warm White	00210159		5,600
Master Roller (Left, Right)	—	00210262	1 set	1,060
Long Master Roller (Left, Right)	—	00210264	1 piece	630
One-way Master Roller	—	00210001	20 pieces	5,600
Overlap Cord Parts Kit (*1)	—	00210225	1 set	4,400
Cord Parts Kit for Skylight (*2)	—	00210263	1 set	5,000
Traverse Cord 2.8mm (White)	—	00580009	1 roll (100m)	4,100
Tension Pully 240	White	00500005	10 pieces	13,000
	Brown	00500002		13,000
Splice (For Steel)	—	00210003	20 pieces	2,400

Installation Dimension and Drawing (mm)

Ceiling Attachment



Wall Attachment



(*1) Contents of Set: 1 Overlap Pulley Set, 2 Pilot Rollers, 1 Overlap Bracket, 2 Intermediate Stop, 10 Cord Clips.
(*2) Contents of Set: 1 Pulley Set, 2 Pieces of Skylight Corner Pulley, 1 Pair of Master Roller, 1 Piece of Tension Pulley.
(*3) Only stainless steel materials can be cut with curtain rail cutter. Aluminum materials cannot be cut.
Place an order by the unit of order