

# TOSO

## ROLLER BLIND

### Mytec 01

R-11708

## Instruction Manual

Thank you for purchasing TOSO product. To ensure safe use of this product, please read the following thoroughly and keep this manual stored.

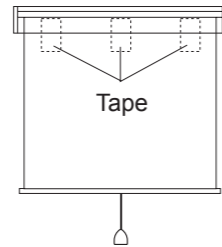
Attention all distribution dealers / construction services

This manual has been designed and written for our customers to properly use our products, with explanations, warnings and cautions. Please make sure to provide this to your customer.



### Caution

Lower a screen completely, and remove tapes placed on Roller Pipe and Screen. Those tapes are to ensure the screen to stay on Roller Pipe properly during transportation.



- 1) This product is intended for indoor use. Please do not use it for exterior purposes.
- 2) Please do not lubricate the moving parts of this product.
- 3) Please do not hang nor dangle from this product. This may damage the product or cause for it fall down.
- 4) When there is strong wind, please either close the window or have the screen completely rolled up.
- 5) Please do not use it around open flames.
- 6) Do not detach a Roller Pipe from a Set Bar, if not necessary.

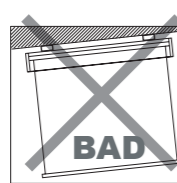
### Note for Installation

- 1) Screws provided are for xylem only. Do not use on materials other than xylem.
- 2) Install a product as instructed with necessary quantity of brackets. If not the product may fall or it may not roll up properly.
- 3) Install a product horizontally. If not, the product may not roll up properly.

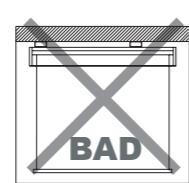
Installed horizontally using enough brackets in correct position.



Not horizontal



Bracket position not correct



### Note for Operation

- 1) Make sure to place a Pull Ball in the center of a Weight Bar. If not the product may not roll up properly.
- 2) Pull a Pull Ball straight down when operating. If not the product may not roll up properly.
- 3) Do not operate a Roller Blind by screen or Roller Pipe. This may cause mechanical damage to the product.



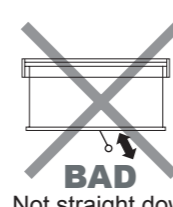
Center



Not center



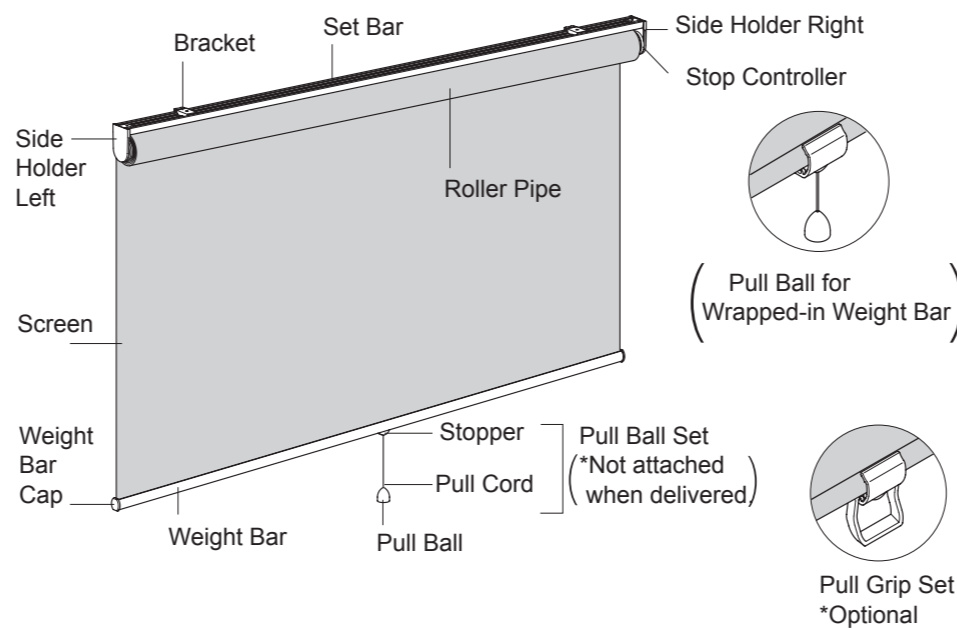
Straight down



Not straight down

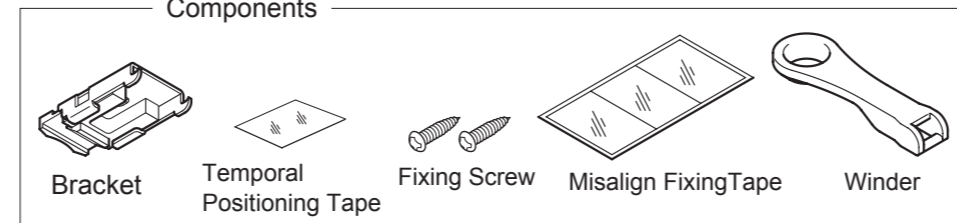
### Mytec 01

### Overall View and Part Names



Side Holder size varies depending on screen thickness and product height. Stop Controller is installed for assembled Mytec 01 wider than 600 mm. (If product width is less than 600 mm, Stop Controller is not inset.)

### Components



Please keep a winder stored with this manual for future use.

### Components

Component \ Product Width	300 ~ 1400 mm	1410 ~ 2000 mm
Bracket	2 Pieces	3 Piece
Fixing Screw	2 Pieces	3 Piece
Misalign Fixing Tape	1 Piece	1 Piece

### Product Weight

3 KG (Example of a product Width 2,000mm and Height 2,000mm)

### Installation and Detaching

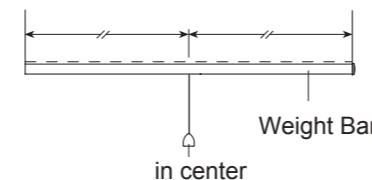
#### Caution

- 1) Screws provided are for xylem only. Do not use on other than xylem.
- 2) Install a product as instructed with necessary quantity of brackets. If not the product may fall or it may not roll up properly.
- 3) Install a product horizontally. If not, the product may not roll up properly.

Pull Ball Set, Pull Ball for Wrapped in Weight Bar and Pull Grip Set are not attached when delivered. Follow an instruction to attach on a product.

#### Caution

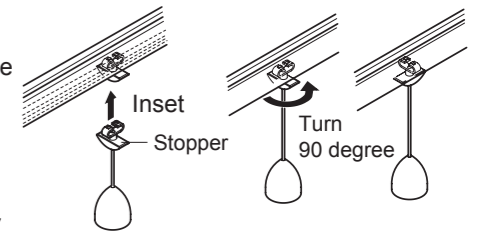
Make sure to attach Pull Ball or Grip in the center of a weight bar.



### Mytec 01

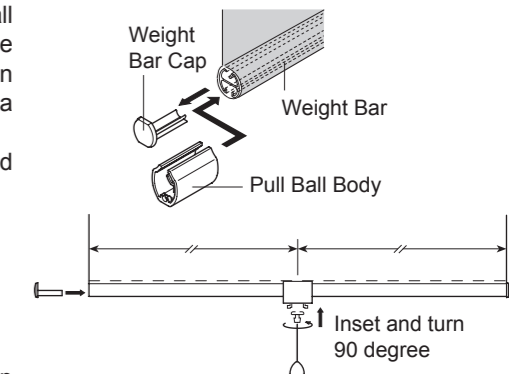
#### Pull Ball

- 1) Inset a Stopper under a Weight Bar, and fix the Stopper by turning it for 90 degree.
- 2) Adjust cord length if necessary.



#### Pull Ball for Wrapped in Weight Bar

- 1) Remove a Weight Bar Cap and install Pull Ball Body on a Weight Bar. Slide and place the body in the center of the Weight Bar. When sliding the body, be careful not to damage a screen.
- 2) Inset a Stopper under the Pull Ball Body, and fix the Stopper by turning it for 90 degree.
- 3) Attach the Weight Bar Cap.
- 4) Adjust cord length if necessary.

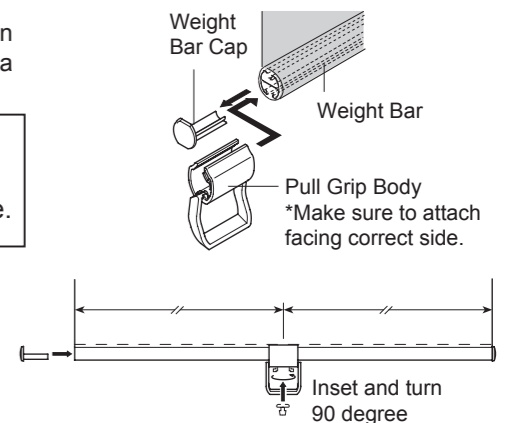


#### Pull Grip Set

- 1) Remove a Weight Bar Cap and install Pull Grip Body on a Weight Bar. Slide and place the body in the center of the Weight Bar. When sliding the body, be careful not to damage a screen.

#### Attention

Pull Grip has front and back. Face the Grip curving out to indoor side.

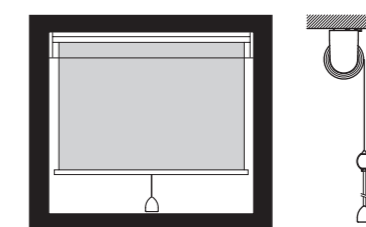


- 2) Inset a Stopper under the Pull Grip Body, and fix the Stopper by turning it for 90 degree.
- 3) Attach the Weight Bar Cap.

### Installation Type

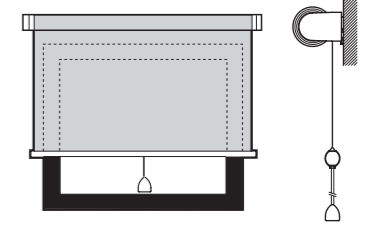
#### Ceiling Attachment

Install inside of a window frame.



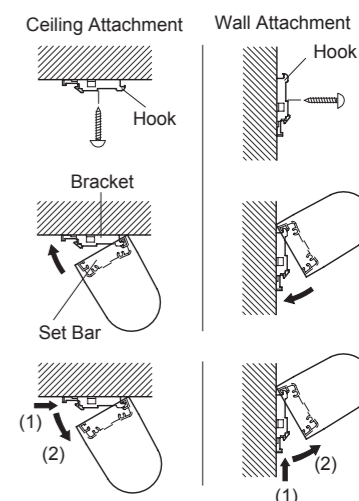
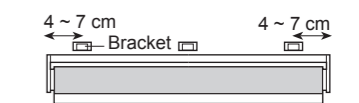
#### Wall Attachment

Install on a wall or outside of a window frame.



### Installation Method

- 1) Position brackets approx 4 to 7 cm inward from both ends. Place the third bracket between the brackets in even distance.
- 2) Install brackets using screws. Use Temporal Positioning Tape if necessary.
- 3) Hook a Set Bar on Brackets and push in until it is firmly fixed.



### Detaching Roller Screen

Pull out (2) a Set Bar from a bracket while pressing Release knob (1).

## How to Operate

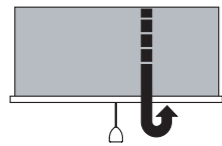


### Attention

- 1) Operate a product by pulling straight down a Pull Ball. Make sure to place the Pull Ball in the center of a Weight Bar. If the Pull Ball is not attached in the center, it may cause improper rolling of a screen.
- 2) Do not dangle from a Roller Blind. The product may fall down.

#### Lowering a Screen

Draw down and release. The screen stops where released.

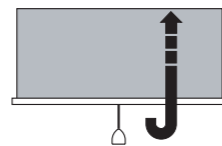


#### Fixing Over Run

When a Screen is pulled too hard, the Screen may run over. To fix the over run, turn a Roller Pipe manually by hand.

#### Raising a Screen

Draw down a little (approx 3 ~ 4 cm), and loosen. The Screen rises and stops in turn.

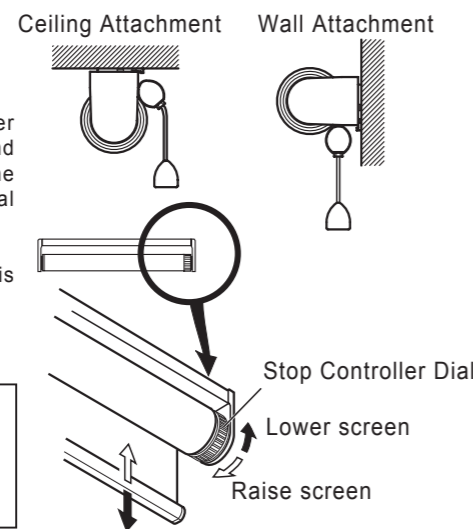


## How to use a Stop Controller

- Stop Controller is installed for Mytec and Mytec Washable width larger than 600mm.
- Generally a Roller Blind stops when its Screen is rolled up thoroughly. By using a Stop Controller, a Roller Blind stops at desired level.
- Stop Controller is effective to align screen elevation especially for continuous windows installing multiple Roller Blinds.

### Stop Level Setting

- 1) Roll up a Screen thoroughly.
- 2) Find a Stop Controller Dial on a Side Holder Right. Turn the Dial to far side (clockwise), and lower a Screen until desired level. (Level for the Screen to naturally stop at) Turn the Dial counterclockwise to raise the Screen level.
- 3) Try operating the Roller Blind, if stopping level is not fixed, make adjustments by turning the Dial.



### Caution

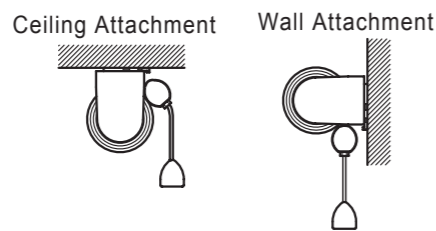
Do not lower or raise a Screen by rotating a product itself and Roller Screen.

## Roll Up Speed Adjustment

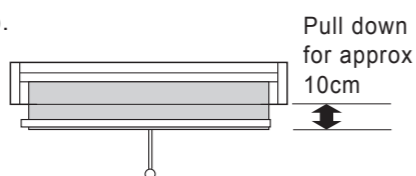
### Caution

Roll Up Speed is set as our standard when delivered. Do not make radical change in its speed.

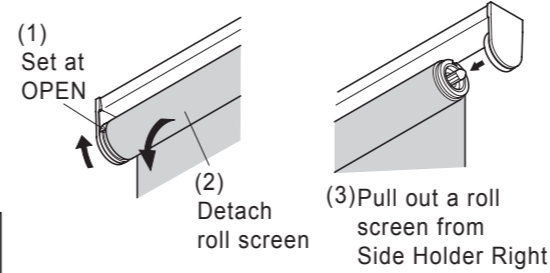
- 1) Roll up a screen thoroughly. If Stop Controller is set to stop the screen at certain level, reset and roll up the screen thoroughly.



- 2) Pull down the screen for 10 cm and stop.



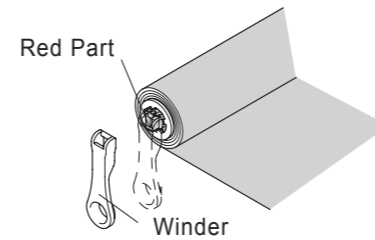
- 3) Turn Side Holder to set at OPEN, detach the roll screen body.



### Caution

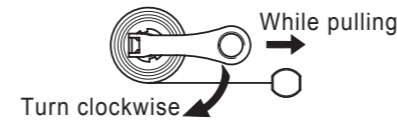
Detach a Roll Screen body slowly by handling with both hands.

- 4) Fit a Winder onto a Black knob on left side of Roller Pipe. Adjust roll up speed by following below.



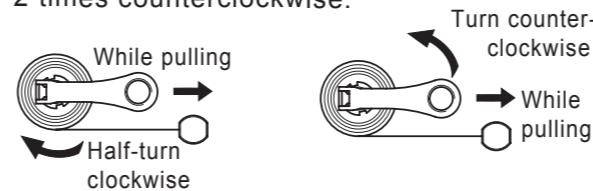
### Faster Roll Up

Turn the winder 1 ~ 2 times clockwise while pulling the winder as directed and unlocking the speed.



### Slower Roll Up

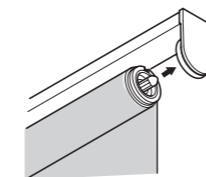
While unlocking the speed by pulling the winder, half-turn the winder clockwise, then turn 1 ~ 2 times counterclockwise.



### Caution

Winder does not turn if not pulled to unlock direction as illustrated. Do not turn more than twice at once. Hold a winder securely especially while pulling to unlock direction. If a winder is released while pulled to unlock direction, a roller pipe blows off the winder, and it may cause accidents or injuries.

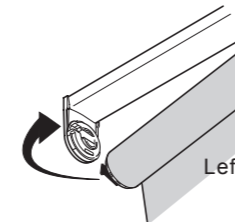
- 5) Keep the screen at 10 cm rolled out, place the roller pipe into side holders.



5-1) Inset into Side Holder

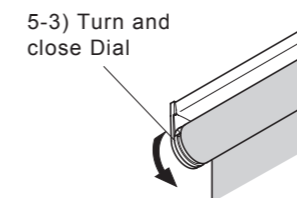
- 5-1) First place right end into a Side Holder Right.

- 5-2) Secondly, inset left side into a Side Holder Left showing Red Part.



5-2) Inset Black Knob into Side Holder, showing Red Part

- 5-3) After both ends are inset, turn a Dial on left side to CLOSE.



5-3) Turn and close Dial

- 6) Test the roller blind a few times, and make sure it operates as adjusted.

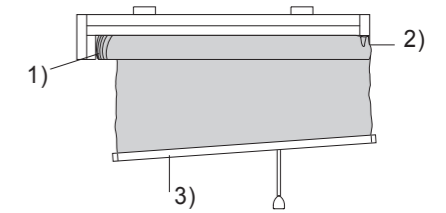
- 7) Repeat instruction 2) ~ 6) until it operates at desired speed.

## Fixing improper rolled up screen

When a screen is not rolled up properly, it may cause damages to the screen or the product. TOSO Roller Blinds are inspected and adjusted to operate properly when delivered, however if a roller blind rolls improperly, follow below instruction.

### What is Improper Rolling?

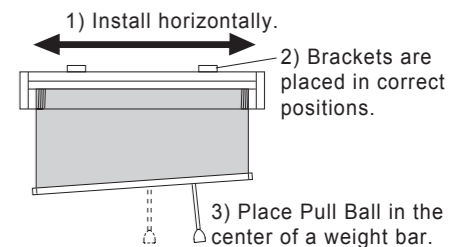
- 1) Screen edge is misaligned.
- 2) Screen edge touches a Side Holder.
- 3) Weight Bar is not horizontal.



### How to fix Improper Rolling?

- 1) Make sure a product is installed correctly.

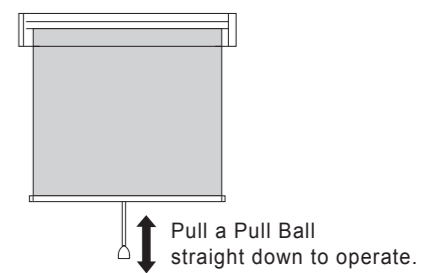
- 1) Is a product installed horizontally?
- 2) Are brackets placed at correct at position?
- 3) Is a Pull Ball attached at the center of a Weight Bar?



- 2) Lower a screen by pulling a ball straight down and stop. Lower 3 ~ 4 cm more and release the screen (The screen naturally rises).

- 3) Repeat the instruction 2 for 2 ~ 3 times.

- 4) If the products still rolls up improperly, use included Misalign Fixture Tape. Refer Misalign Fixture Tape for its instruction.



## Troubleshooting

- 1) When a roller blind doesn't rolls up, or it rolls up too slowly.
  - Spring built in a roller blind may be reset. Refer page 5 of this instruction manual, and follow "Faster Roll Up" under a term "Roll Up Speed Adjustment."

### Caution

Do not disassemble or self-remodel a mechanism built-in a roller pipe.

- 2) When a screen doesn't lower.
  - Check a Side Holder Left, and confirm a dial is closed. If a dial is open, a roller blind is not operable.

## Cleaning

Use a mop or a duster to clean a product. If necessary, use wet cloth to wipe a screen. Screen may change its color if wet, even only with water. If Washable Screen, refer separate Instruction Manual for Washable Screen.

## Disposal of Packing Material

Follow local waste management law.