

SHIORI 25 DRUM



SHIORI 25 Cord



SHIORI 25 Drum



SHIORI 25 Twin

TOSO Pleats Screen lines up with 25 mm and 15 mm wide pleated screens with a collection of more than 130 screens, and 5 systems. (Available screen varies depending on system.)



SHIORI 15 COMPACT



SHIORI 15

Systems

- SHIORI 25 Cord:** TOSO standard spec for general windows.
- SHIORI 25 Drum:** for large windows (width 2,000mm and over).
- SHIORI 25 Twin:** Control light by adjusting combined two types of screens.
- SHIORI 15:** 15 mm wide pleated for relatively small windows.
- SHIORI 15 COMPACT:** Compact head box for narrow space.



SHIORI 25 Drum

Shiori 25 Drum is applicable widely in residential and commercial buildings for large windows.

Product Features

1. Compact Head box and Bottom rail

Head box height 42mm and bottom rail height 12mm. The head and the bottom rails are designed as to enhance the crispness of the pleated screen.

2. Click-in Bracket

Easy installation is enabled by click-in Shiori 25 Drum bracket which have oval screw holes for place adjustment.

3. Lower Limit

Shiori 25 Drum has the Lower Limit to prevent the drum from reverse winding.

4. Screen

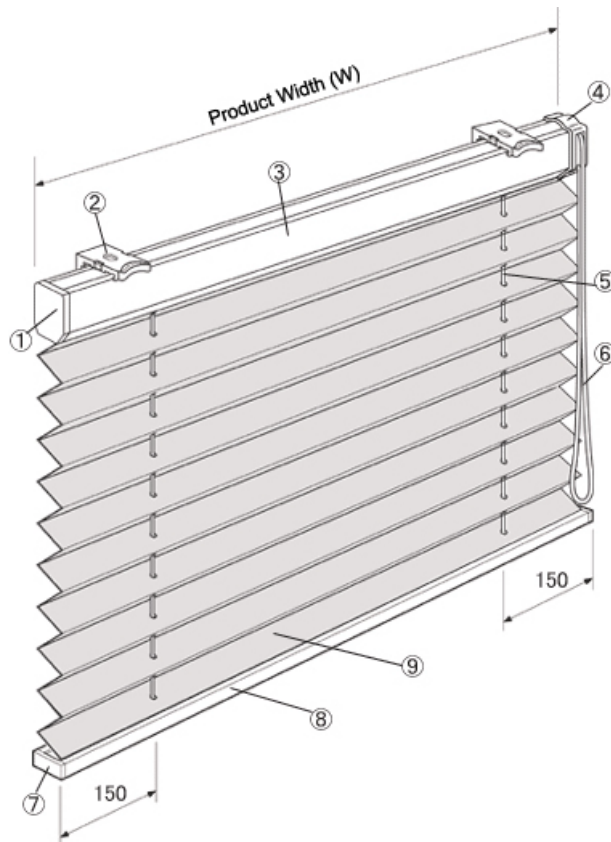
Shiori 25 Cord is available with a collection of 130 screens.

TOSO Screen collection includes; Crinkly-textured screens, Deodorizing screens, Flame resistant screens, and Photocatalyst screens.

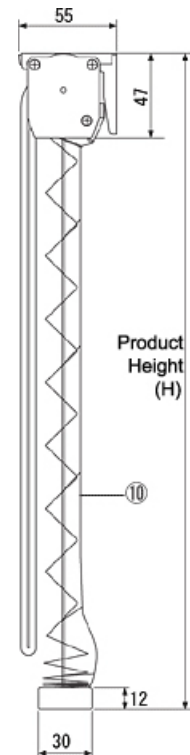
*Manufacturable dimension may differ depending on screens.

Overall View, Components, and Material

Overall Product View



Section View

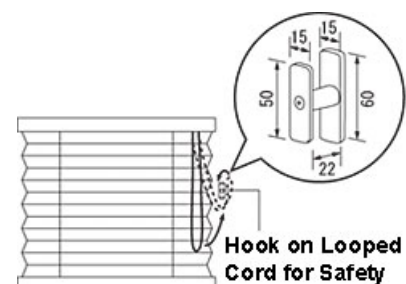


No.	Component Description	Material
1	SHIORI 25 Drum Head Box Cap	Molded resin
2	SHIORI 25 Drum Bracket	Stainless steel and molded resin
3	SHIORI 25 Drum Head Box	Aluminum
4	SHIORI 25 Drum Pulley	Stainless steel and molded resin
5	SHIORI Lift Cord	Chemical fiber
6	SHIORI Looped Cord	Chemical fiber
7	SHIORI 25 Bottom Rail Cap	Molded resin
8	SHIORI 25 Bottom Rail	Aluminum
9	SHIORI 25 Screen	Material differs depending on screen
10	Pitch Keep Cord	Chemical fiber

Parts included

(*) **Safety Hook** is included in this product to prevent unexpected accidents with Looped operational cord. Install the Safety Hook where the cord can be hook on to keep it out of reach of children.

Safety Hook; (material: resin, color: white)

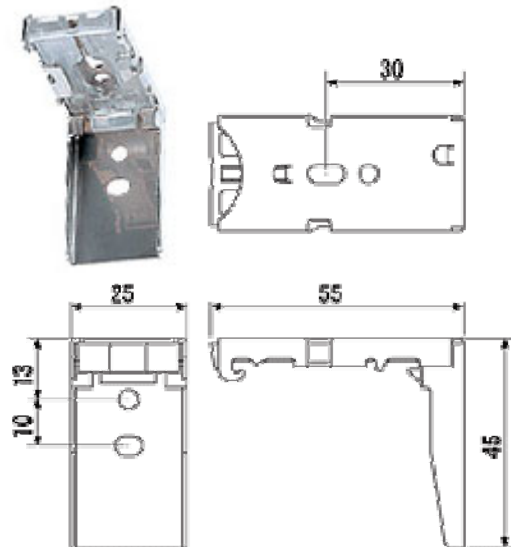


Bracket

Shiori features easy snap-in brackets.
Hook on head box, and push it in until it clicks.

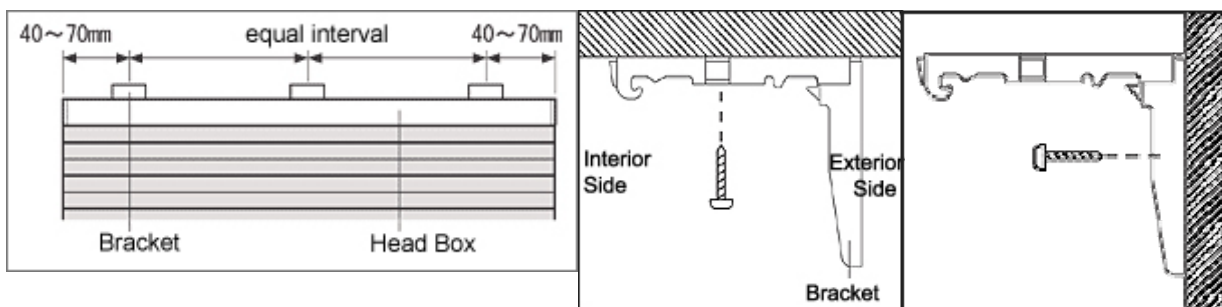
Required Quantity of Bracket

Product Width	Quantity
~ 1,200mm	2 Pieces
1,210mm ~	3 Pieces
2,010mm ~	4 Pieces



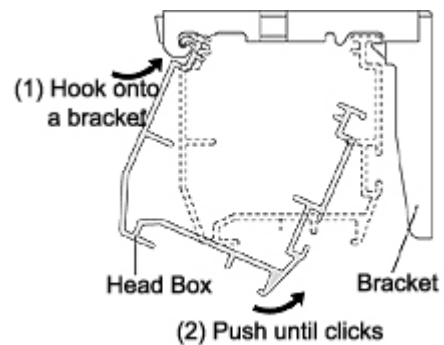
Bracket Installation

Place brackets 40 ~ 70 mm apart from the head box ends. If more than three brackets are used, install the middle brackets in equal intervals. Fix screws and install brackets.



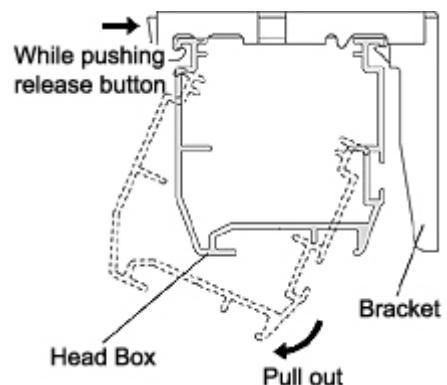
Attaching the product

Make sure the screen is raised fully. Hook the head box on the brackets. Push the product against the bracket until it clicks and fastens securely.

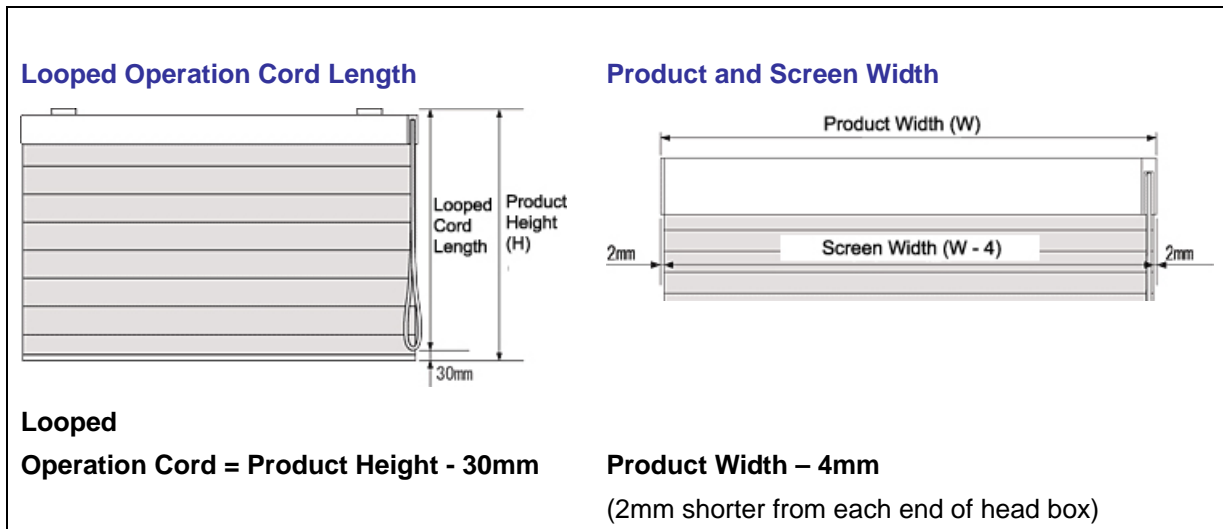


Detaching the product

Make sure the screen is raised fully. While pushing the release button on the bracket, pull the product out from the bracket.



Operation Cord / Product and Screen Width



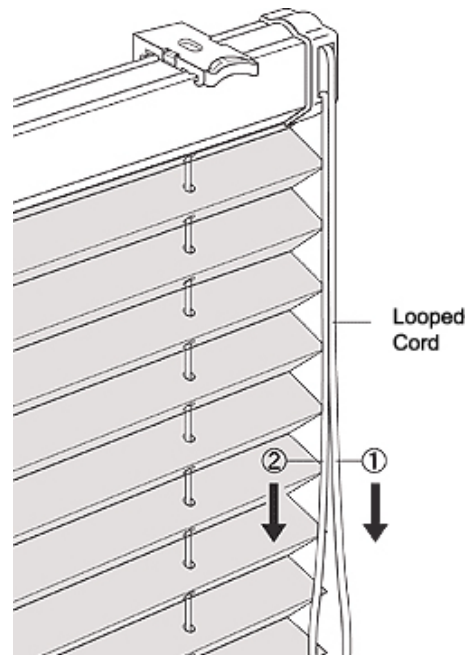
How to operate

Raise the screen

Pull the Looped Operation Cord (1) (interior side) downward, and release it at desired level to stop.

Lower the screen

Pull the Looped Operation Cord (2) (exterior side) downward, and release it at desired level to stop.



Manufacturable Dimension

Product Width 500 mm ~ 3,000 mm

Product Height 300 mm ~ 2,600 mm

*Available dimension may differ depending on screens.

*Tirato screen available up to 3,000mm in height.

*Dimension in units of 10mm in height and width.

Product Weight

(Examples for reference)

Width 1,000mm x Height 1,000mm 1.8 KG

Width 2,000mm x Height 2,000mm 3.2 KG

*Product Weight differs depending on screen type.

System Color Head and Bottom rails are available in four colors.

White



Black



Light Wood



Dark Wood

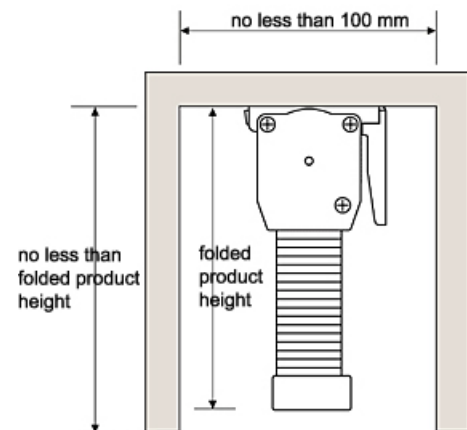


Product Height – When screen is stacked thoroughly

Product Height (in mm)	Product Height when screen is stacked thoroughly (in mm)					
	H	I	J	K	L	M
600	64	70	74	77	81	84
1,000	67	77	83	89	94	100
1,400	70	84	92	100	108	116
1,800	73	91	101	111	122	132
2,200	76	98	110	123	135	148
2,600	79	105	119	134	159	164
3,000	82	111	129	146	163	180

*Manufacturable dimension differs depending on screens.

Screen No.	Reference	Screen No.	Reference
TP-2001~2051	J	TP-2089~2091	M
TP-2052~2061	H	TP-2092~2102	I
TP-2062~2064	L	TP-2103~2108	L
TP-2065~2071	M	TP-2109~2113	K
TP-2072~2075	L	TP-2114~2122	M
TP-2076~2078	M	TP-2123~2130	J
TP-2079~2088	K		



For more information, please see TOSO Pleated Screen Catalogue.