

SHIORI 25 CORD



SHIORI 25 Cord



SHIORI 25 Drum



SHIORI 25 Twin

TOSO Pleats Screen lines up with 25 mm and 15 mm wide pleated screens with a collection of more than 130 screens, and 5 systems. (Available screen varies depending on system.)



SHIORI 15 COMPACT



SHIORI 15

Systems

- SHIORI 25 Cord:** TOSO standard spec for general windows.
- SHIORI 25 Drum:** for large windows (width 2,000mm and over).
- SHIORI 25 Twin:** Control light by adjusting combined two types of screens.
- SHIORI 15:** 15 mm wide pleated for relatively small windows.
- SHIORI 15 COMPACT:** Compact head box for narrow space.

SHIORI 25 Cord

Shiori 25 Cord is the standard pleated screen system, widely used for residential applications.

Product Features

1. **Stopper**

Heart-cam stopper built-in a head box performs smoothly and accurately.

2. **Bottom rail**

Designed to hold the bottom rail horizontally to maintain beautiful pleats of the screen.

3. **Minimum gaps**

Width difference between the screen and the head box is minimized to reduce side gaps and to improve the appearance. (Screen and head box difference: 4mm)

4. **Pitch Keep Cord**

Crisp pleats are created and maintained by the Pitch Keep Cord.

5. **Cord Stop**

Uniquely designed Shiori Cord Stop prevents lift cords to twist or tangle, ensuring the smooth operation.

6. **Screen**

Shiori 25 Cord is available with a collection of 130 screens.

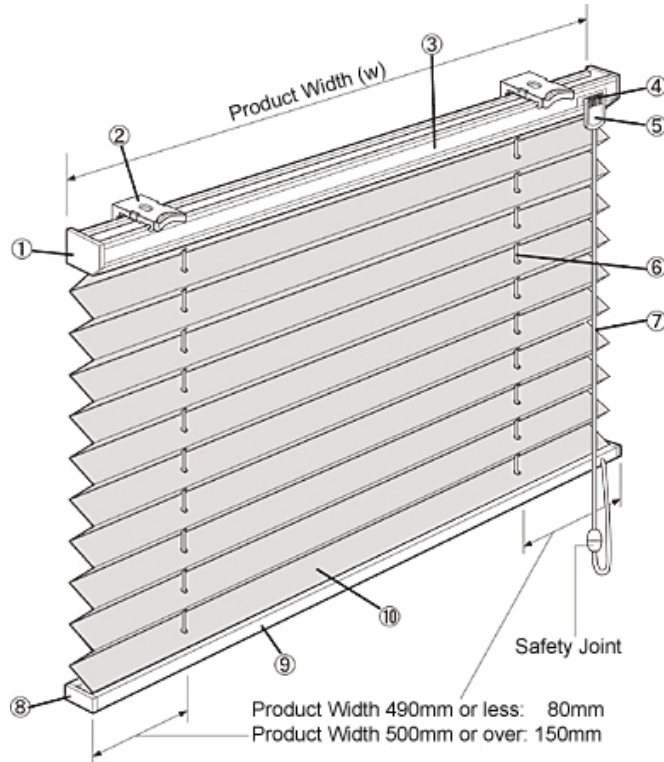
TOSO Screen collection includes; Crinkly-textured screens, Deodorizing screens, Flame resistant screens and Photocatalyst screens.

*Manufacturable dimension may differ depending on screens.

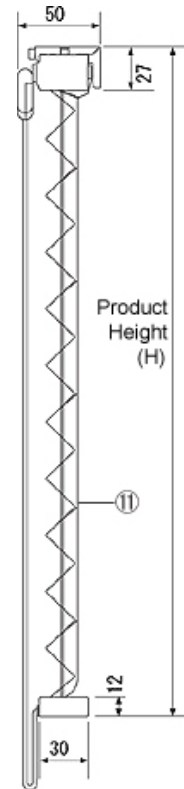


Overall View, Components, and Material

Overall Product View

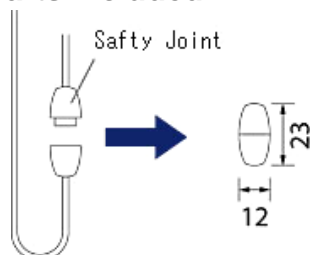


Section View



No.	Component Description	Material
1	SHIORI 25 Head Box Cap	Molded resin
2	SHIORI 25 Bracket	Stainless steel and molded resin
3	SHIORI 25 Head Box	Aluminum
4	SHIORI 25 Cord Outlet	Stainless steel and molded resin
5	SHIORI 25 Cord Stop	Molded resin
6	SHIORI Lift Cord	Chemical fiber
7	SHIORI Operation Cord	Chemical fiber
8	SHIORI 25 Bottom Rail Cap	Molded resin
9	SHIORI 25 Bottom Rail	Aluminum
10	SHIORI 25 Screen	Material differs depending on screen
11	Pitch Keep Cord	Chemical fiber

Parts included



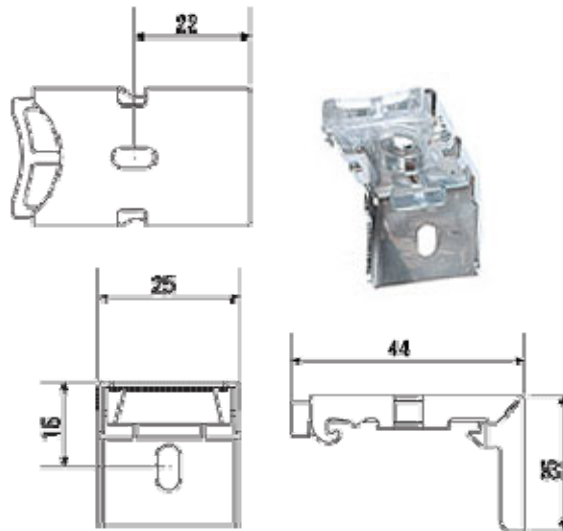
(*) **Safety Joint** is attached to the operation cord to avoid unexpected accidents with cords. Safety Joint comes apart when applied load of 3 KG and over.

Bracket

Shiori features easy snap-in brackets.
Hook on head box, and push it in until it clicks.

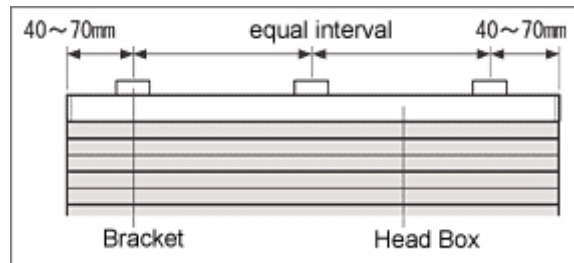
Required Quantity of Bracket

Product Width	Quantity
~ 1,200mm	2 Pieces
1,210mm ~	3 Pieces

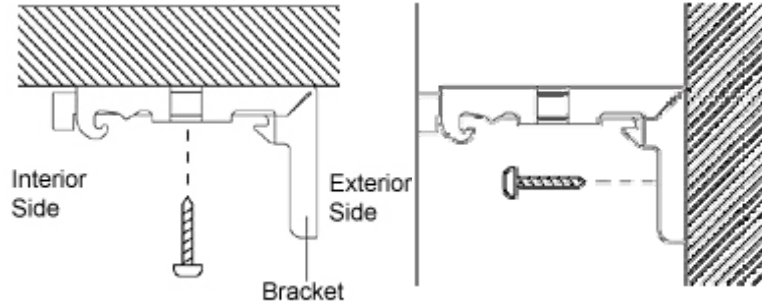


Bracket Installation

Place brackets 40 ~ 70 mm apart from the head box ends. If more than three brackets are used, install the middle brackets in equal intervals.

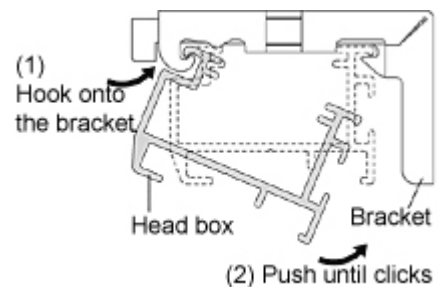


Fix screws and install brackets.
Left: Ceiling installation
Right: Wall installation



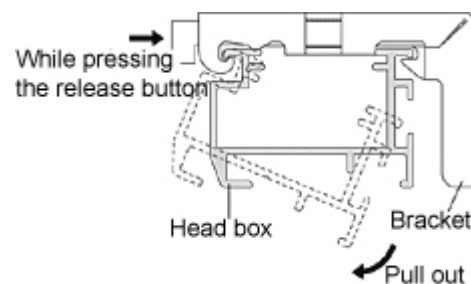
Attaching the product

Make sure the screen is raised fully. Hook the head box on the brackets. Push the product against the bracket until it clicks and fastens securely.

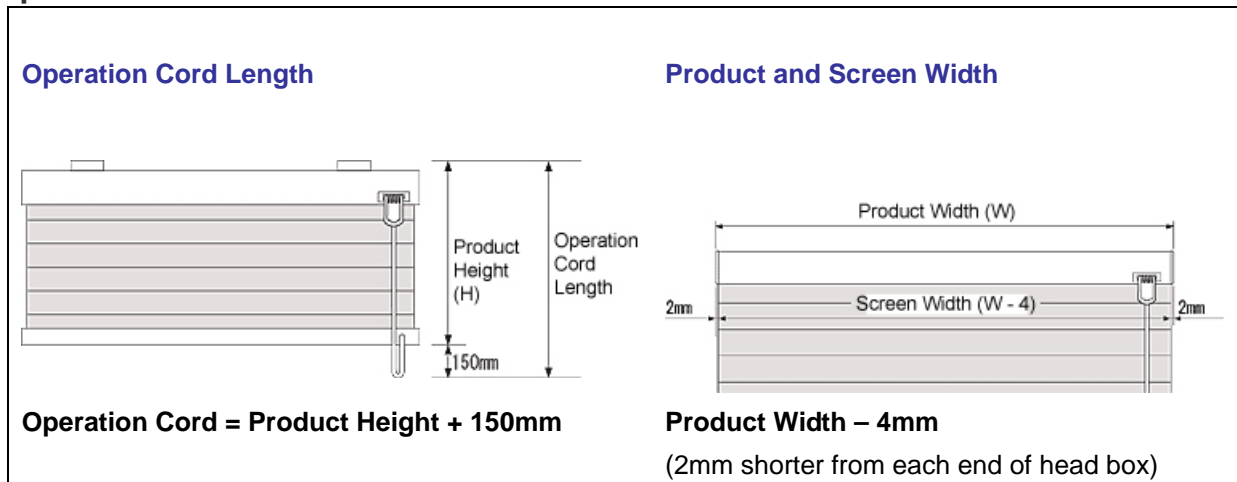


Detaching the product

Make sure the screen is raised fully. While pushing the release button on the bracket, pull the product out from the bracket.



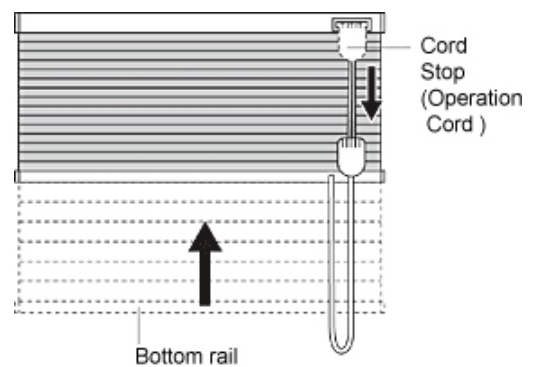
Operation Cord / Product and Screen Width



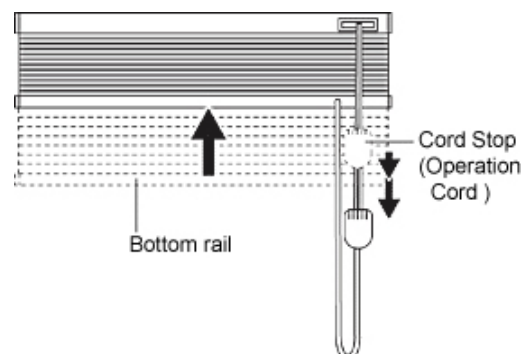
How to operate

Raise the screen

When the screen is at the full drop, simply pull the Operation Cord downward to raise the screen, and release the cord at the level desired to hold.

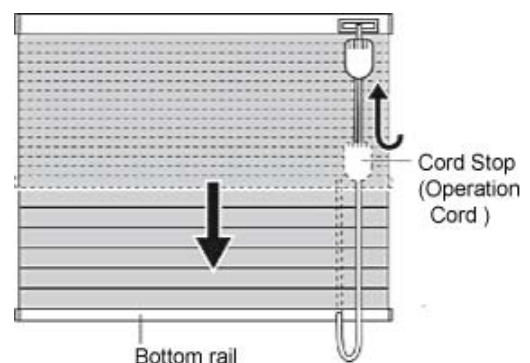


When the screen is not at the full drop, pull the Operation Cord downward and loosen the cord (the stopper becomes release mode), and then pull the cord downward and release to stop at desired level.



Lower the screen

When the Operation Cord is pulled downward once, the Stopper releases the Lift Cord and lowers the screen. To stop the screen at the desired level, pull the Operation Cord downward again, and the stopper locks the Lift Cords and holds the elevation.



Manufacturable Dimension

Product Width 250 mm ~ 2,000 mm
Product Height 300 mm ~ 2,600 mm

Product Weight

(Examples for reference)

Width 1,000mm x Height 1,000mm 1.3 KG
Width 2,000mm x Height 2,000mm 2.5 KG

*Available dimension may differ depending on screens.

*Product Weight differs depending on screen type.

*Tirato screen available up to 3,000mm in height.

*Dimension in units of 10mm in height and width.

System Color

Head and Bottom rails are available in four colors.

White



Black



Light Wood



Dark Wood

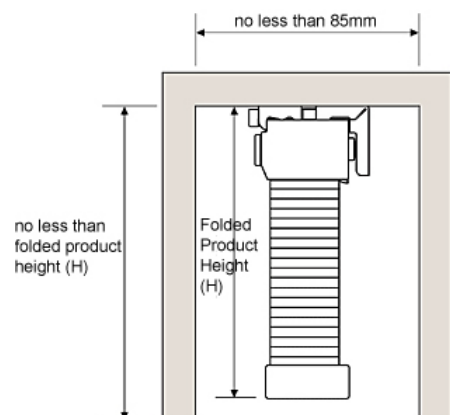


Product Height – When screen is stacked thoroughly

Product Height (in mm)	Product Height when screen is stacked thoroughly (in mm)					
	H	I	J	K	L	M
600	44	50	54	57	61	64
1,000	47	57	63	69	74	80
1,400	50	64	72	80	88	96
1,800	53	71	81	91	102	112
2,200	56	78	90	103	115	128
2,600	59	85	99	114	129	144
3,000	62	91	109	126	143	160

*Manufacturable dimension differs depending on screens.

Screen No.	Reference	Screen No.	Reference
TP-2001~2051	J	TP-2089~2091	M
TP-2052~2061	H	TP-2092~2102	I
TP-2062~2064	L	TP-2103~2108	L
TP-2065~2071	M	TP-2109~2113	K
TP-2072~2075	L	TP-2114~2122	M
TP-2076~2078	M	TP-2123~2130	J
TP-2079~2088	K		



For more information, please see TOSO Pleated Screen Catalogue.