

VENEWOOD

Simple and modern wooden blind Venewood for small to larger windows, now available with 35 or 50 mm wide slat, ladder cord or ladder tape, and durable Venewood or compact system Venewood mini.



VENEWOOD

Topic:

1. Features of Venewood
2. Venewood 50 T and Venewood 50 **RENEWED**
3. Venewood 35 T and Venewood 35 **NEW LINEUP**
4. Venewood mini 35 T and Venewood mini 35 **NEW LINEUP**
5. Overall View, Part Name, and Material



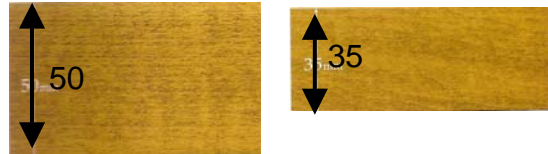
Venewood 50

VENEWOOD

1. Features

35 mm and 50 mm Wide Wooden Slats

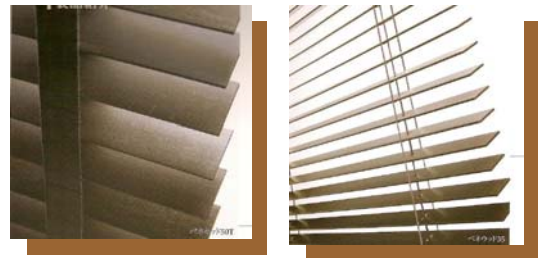
For variety of window sizes, Venewood is available with choices of 35 and 50 mm wide slats.



LADDER Types

Ladder Tape (Photo:Left): Venewood 50T
Venewood 35T
Venewood mini 35T

Ladder Cord (Photo:Right): Venewood 50
Venewood 35
Venewood mini35



TROUBLE-FREE Durable Gear

Upgraded new zinc die casting gear is developed to operate wooden blinds 3 square meters and over,

RENEWED Pulley

To improve performance of braking function of slats, Plastic Pulley are modified to new Metal Sleeve and Metal Sleeve and Bearing Pulleys.

FULL Tilting Function at Full Drop

The bottom rail stays at the lowest position even slat angle is adjusted. Desired light control is possible with Venewood.



AUTOMATIC Obstacle Stop Function

In order to prevent damages and unexpected accidents, Venewood automatically locks its system and stops lowering when the blind meets an obstacle.

VENEWOOD

2. Venewood 50 T and Venewood 5

- ◆ Rich natural wood finish fully enjoyable with 50 mm slats, best suitable for wide and large windows.
- ◆ With modified gear and pulley, now available in max area size of 5 sq.m. (Used to be max 4 sq.m.)
- ◆ Ladder Tape 38mm wide (Venewood 50T) and Ladder Cord (Venewood 50) available.
- ◆ Single Cord Operation: One cord to raise and lower blind and change slat angle.
- ◆ Right or Left side operation position.
- ◆ With or Without Valance.



Max Width	400mm ~ 2,400mm
Max Height	530mm ~ 2,980mm
Max Area	5 square meters

3. Venewood 35 T and Venewood 35

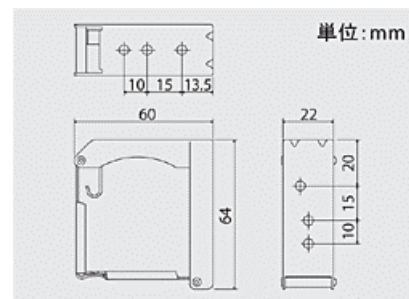
- ◆ Thin and fine 35 mm wide slats suit simple and modern interior. From small to large windows.
- ◆ Ladder Tape 25mm wide (Venewood 35T) and Ladder Cord (Venewood 35) available.
- ◆ Single Cord Operation: One cord to raise and lower blind and change slat angle.
- ◆ With or Without Valance.



Max Width	400mm ~ 2,400mm
Max Height	480mm ~ 3,000mm
Max Area	5 square meters



Left:
Single Cord Operation



BRACKET for Venewood



VENEWOOD

4. Venewood mini 35 T and Venewood mini 35

- ◆ Compact mechanism and 35mm wide slat adopted.
- ◆ Ladder Tape (Venewood mini 35T) and Ladder Cord (Venewood mini 35).
- ◆ Cord for raising and lowering blind, and pole operation for slat angle adjustment.

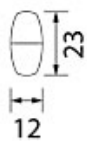
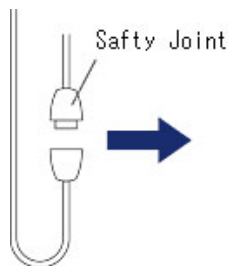


Cord and Pole Operation

Manufacturable Dimension

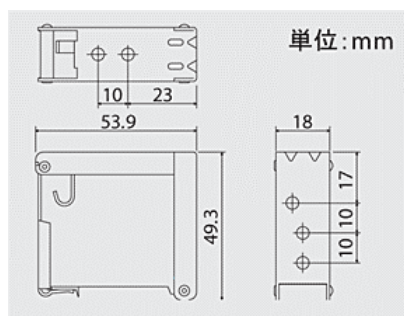
Width	300mm ~ 2,000mm
Height	490mm ~ 2,500mm
Area	2 square meters

COMPONENTS

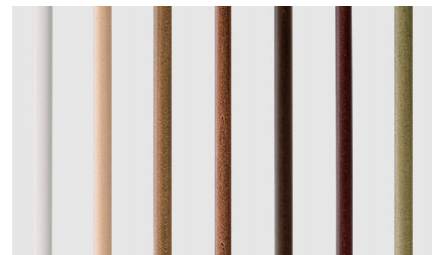


SAFTY Joint: Operational Lift Cord may cause unexpected accidents. In order to prevent such troubles, Safety Joint is attached. Safety Joint detaches when applied 3 kg of load to the cord for safety.

BRACKET for Venewood mini



OPERATION Rod



CORD Tassel

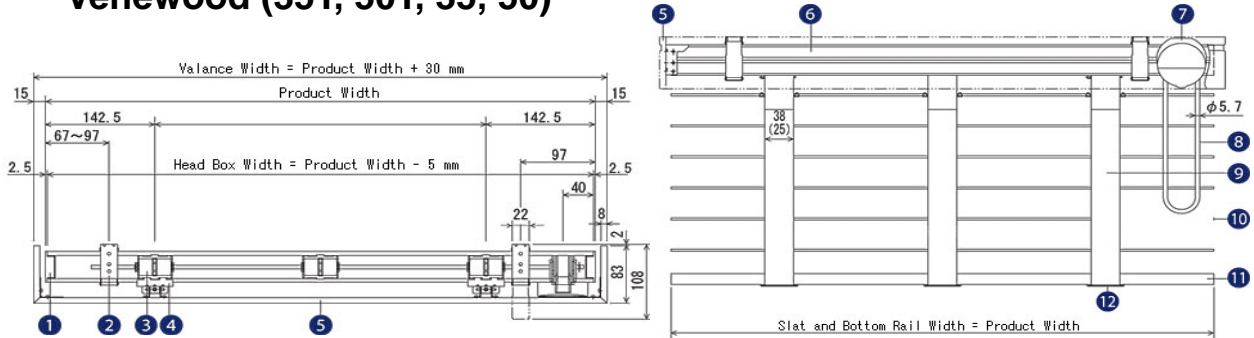


TOSO

VENEWOOD

5. Overall View, Part Name, and Material

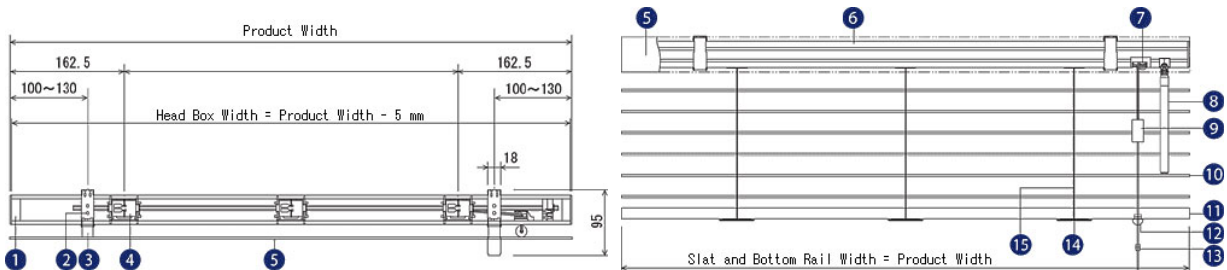
Venewood (35T, 50T, 35, 50)



1	Head Cap	Polyacetal	7	Pulley Cover	Polyacetal
2	Bracket	Steel	8	Operation Cord	Polyamide
3	Holder Cover	Polyethylene	9	Ladder Tape (*)	Polyester
4	Valance Fixing Piece	Steel	10	Slat	Basswood
5	Valance	Basswood	11	Bottom Rail	Basswood
6	Head Box	Steel	12	Bottom Cover	Zinc die cast

(*) For Venewood 35 and 50, Item #9 is Ladder Cord, Polyester. Above illustrates Venewood 35T and 50T.

Venewood mini (35T, 35)



1	Head Cap	Polyacetal	9	Cord Tassel	Beech
2	Bracket	Steel	10	Slat	Basswood
3	Cushion for Valance	Rubber	11	Bottom Rail	Basswood
4	Holder Cover	Polyethylene	12	Bottom Plug	Beech
5	Valance	Basswood	13	Safety Joint	Polyethylene
6	Head Box	Aluminum	14	Bottom Cover	Zinc die cast
7	Stopper	Polycarbonate	15	Ladder Cord	Polyester
8	Operational Rod	Beech			

TOSO

VENEWOOD



Venewood 50 TM-112 Deep Brown

**Venewood 35
TM-102 Off White**



*For more information, please contact TOSO Overseas Dept.