

### Mytec Fascia and Home Theater Screen



**Mytec Fascia: TM-6345 [ Glass-Fiber with PVC lamination ]**

For increasing popularity of Home Theater, TOSO released a projector roll screen, Mytec Fascia.

Simple and modern design of Mytec Fascia would be an accessory to the interior even when the screen is not in use.

Mytec Fascia can be attached to standard roller blind using Mytec 03 system.



Screen rolled up

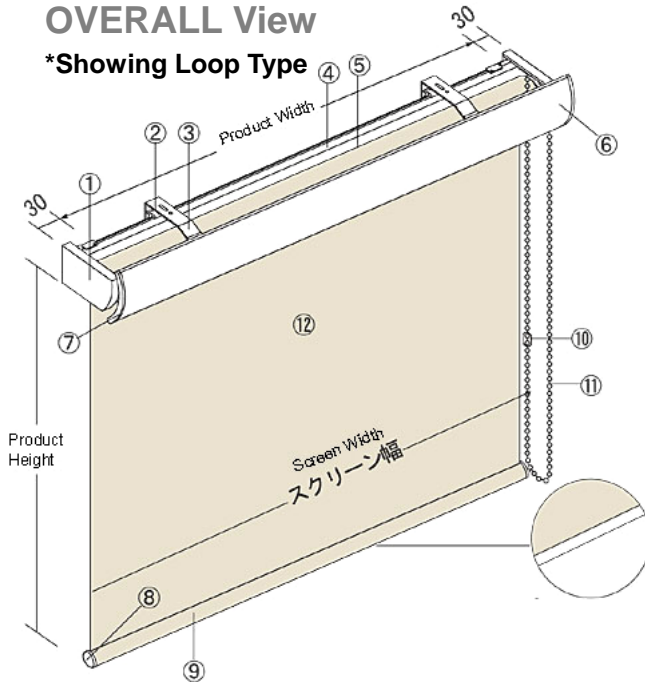
# TOSO

## ROLL SCREEN

Mytec Fascia

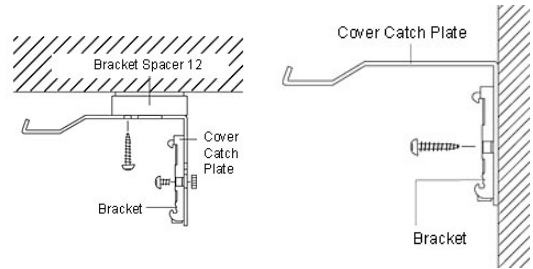
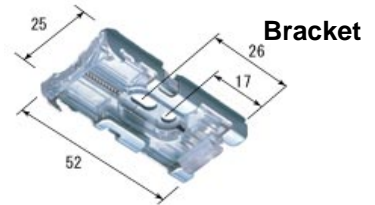
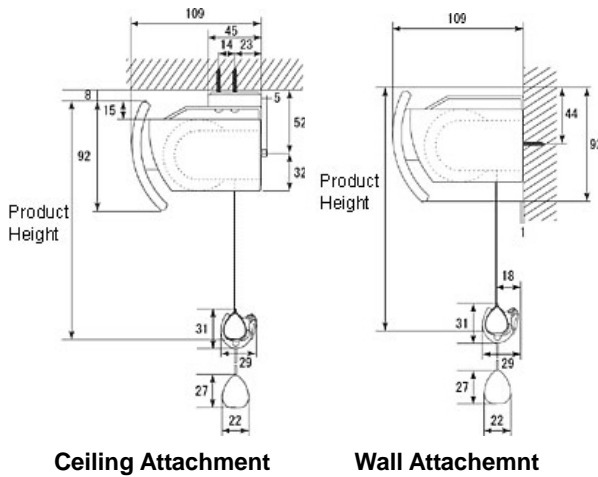
### OVERALL View

\*Showing Loop Type



|    |                   |                        |
|----|-------------------|------------------------|
| 1  | Side Cover        | Molded Resin           |
| 2  | Bracket           | Stainless Steel, Resin |
| 3  | Cover Catch Plate | Steel                  |
| 4  | Set Bar           | Aluminum               |
| 5  | Roller Pipe       | Aluminum               |
| 6  | Front Cover       | Molded Resin           |
| 7  | Front Cover Cap   | Molded Resin           |
| 8  | Weight Bar Cap    | Molded Resin           |
| 9  | Weight Bar        | Aluminum               |
| 10 | Ball Chain Joint  | Molded Resin           |
| 11 | Ball Chain        | Resin, Chemical Fiber  |
| 12 | Screen            | Material varies        |

### INSTALLATION Diagram



### AVAILABLE colors



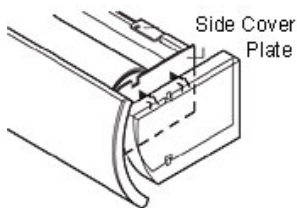
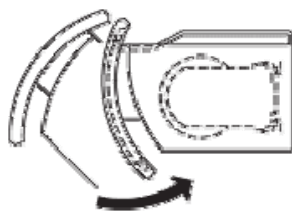
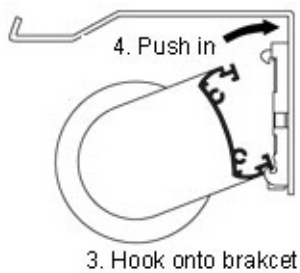
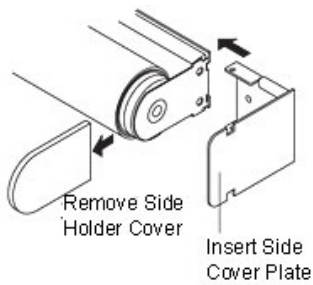
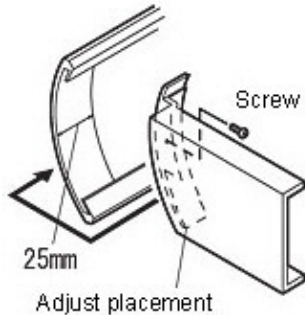
Metallic White

Silver

Aluminum Pull Grip

Metal Ball Chain

### INSTALLING Mytec Fascia



**(1) Insert Side Covers into both ends of Front Cover. Align Side Covers with indicated line on the Front Cover.**

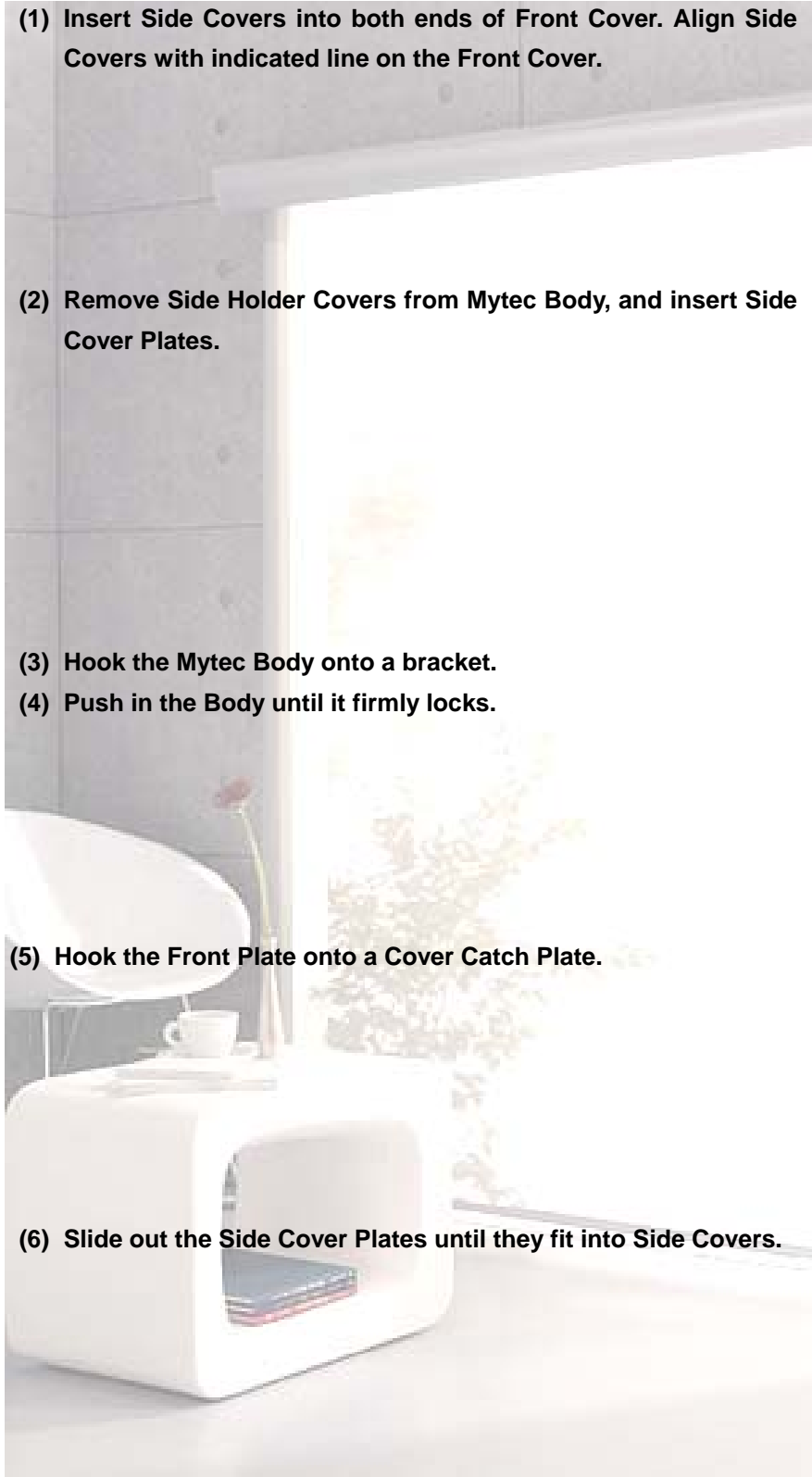
**(2) Remove Side Holder Covers from Mytec Body, and insert Side Cover Plates.**

**(3) Hook the Mytec Body onto a bracket.**

**(4) Push in the Body until it firmly locks.**

**(5) Hook the Front Plate onto a Cover Catch Plate.**

**(6) Slide out the Side Cover Plates until they fit into Side Covers.**



\*For more information, please feel free to contact TOSO Overseas Dept.