

CLOZA EXCEL



TD-5014

INDEX

CLOZA EXCEL

**Page 1: Overall View,
Part and Material,
Rail Quantity**

**Page 2: Grip Position,
Parts (Magnet Receiver, Tassel and Tassel Holder)**

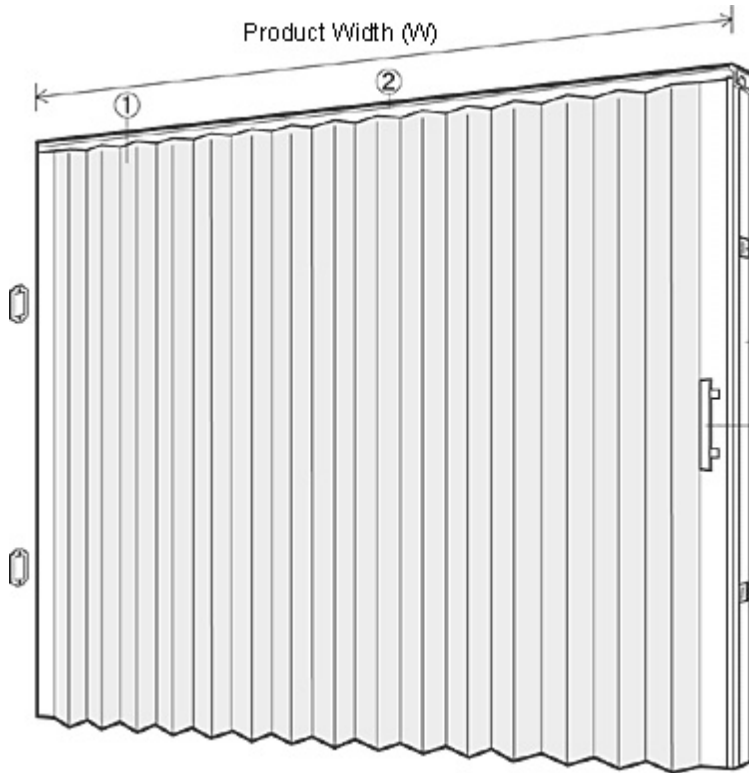
**Page 3: System Color,
Manufacturable Dimension**

Page 4: Installation Instruction

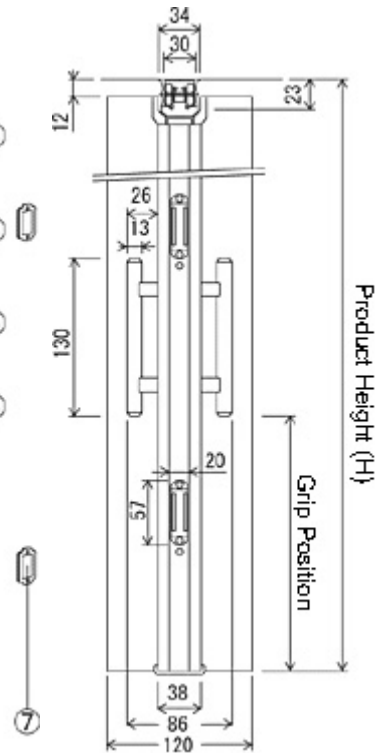
Page 5: Detaching Instruction

*See [Options for Accordion Door \(1\)](#) and [\(2\)](#) for more information.

CLOZA EXCEL
Overall View



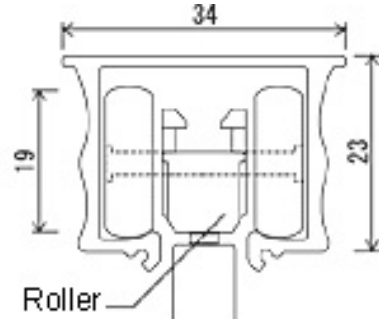
Side View



Part and Material

No.	Part Name	Material
1	Accordion	PVC
2	Rail	Aluminum
3	Frame Cover	Aluminum
4	Magnet	Steel, Resin, Magnet
5	Frame Cushion	Resin
6	Grip *Anti-bacterial	Aluminum
7	Magnet Receiver	Steel

Rail Section

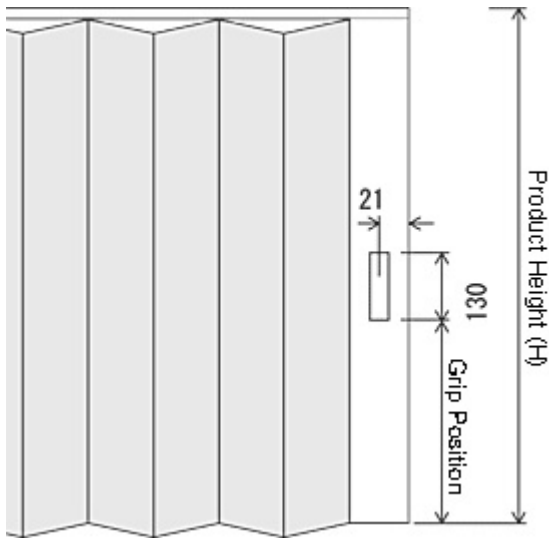


Rail Quantity

Product Width (W) mm	Rail Quantity
550 ~ 1,200	1 Piece
1,210 ~ 1,650	1 Piece
1,660 ~ 2,400	1 Piece
2,410 ~ 3,300	1 Piece
3,310 ~ 4,000	1 Piece
4,010 ~ 4,500	2 Pieces *Standard (1 Piece *Option)
4,510 ~ 4,800	2 Pieces
4,810 ~ 5,000	2 Pieces

*For products width 4,010 ~ 4,500, two rails are jointed with a Joint Pin. One rail specification is available upon request. Please ask your local agency for transportation and delivery method before ordering one-rail spec.

Grip Position



Product Height (H) mm	Grip Position
610 ~ 900	H - 315
910 ~ 1,200	H - 515
1,210 ~ 1,700	H - 595
1,710 ~ 1,800	H - 695
1,810 ~ 1,900	H - 795
1,910 ~ 2,000	H - 895
2,010 ~ 2,100	H - 995
2,110 ~ 2,300	H - 1,095
2,310 ~ 2,400	H - 1,195
2,410 ~ 2,500	H - 1,295
2,510 ~ 2,600	H - 1,395
2,610 ~ 2,700	H - 1,495
2,710 ~ 2,800	H - 1,595
2,810 ~ 2,900	H - 1,695
2,910 ~ 3,000	H - 1,795
3,010 ~ 3,100	H - 1,895
3,110 ~ 3,200	H - 1,995

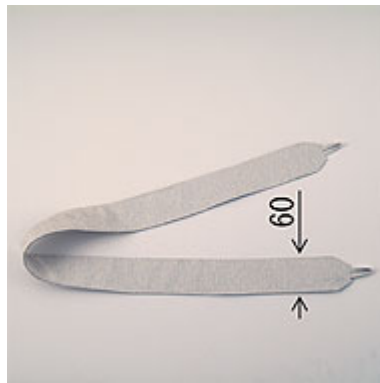
Parts

Magnet Receiver (Included)

Product Height (H)	Magnet Receiver Quantity
~ 2,200mm	4 Pieces
2,200mm ~	6 Pieces



Tassel and Tassel Holder *Included for products wider than 4,510mm or curved Accordion Door.








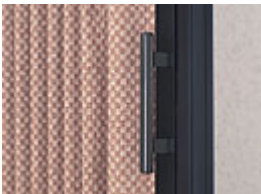
Tassel: Made with same lather as the Accordion Door.

Tassel Holder F (Silver)

	One-way Draw	Two-way Draw
Tassel	1 Piece	2 Pieces
Tassel Holder F	2 Pieces	4 Pieces

System Color

*System color can be selected from below three colors. If not specified, color is decided accordingly to Accordion leather color selected.

Part	White	Platinum Gray	Dark Bronze
Rail			
Grip			

Manufacturable Dimension

Product Width (W) 550 ~ 5,000 mm
Product Height (H) 610 ~ 3,200 mm

*Dimension can be specified in unit of 10mm.

*Maximum width 5,000mm for One-way Draw,

*Maximum width 10,000mm for Two-way Draw.

Product Weight (Example)

Product Width 1,000mm x
Product Height 2,000mm
Product Weight: Approx 10 KG

Product Width 1,500mm x
Product Height 2,000mm
Product Weight: Approx 14 KG

Product Width 2,000mm x
Product Height 2,000mm
Product Weight: Approx 16 KG

Width of Product When Stacked

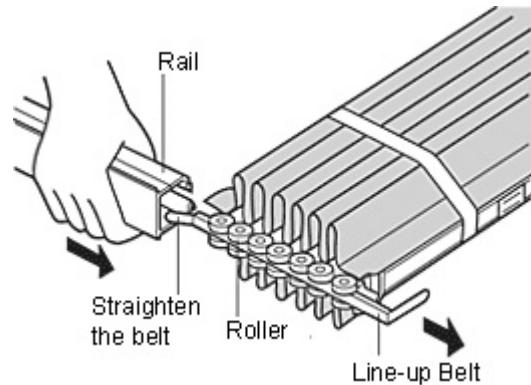
Product Width (mm)	Width (mm) when Accordion is stacked
900	215
1,200	265
1,500	305
1,800	355
2,100	405
2,400	430
2,700	480
3,000	550
3,300	575
3,600	620
4,000	695
4,200	720
4,500	770
4,800	805
5,000	855

Installation Instruction

CAUTION

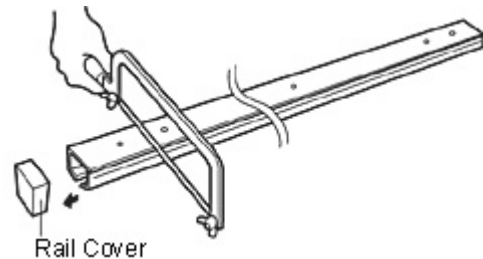
Installing and detaching an Accordion Door requires more than two people.
 Do not un-belt the accordion before completely installed.

- (1) Remove a Rail Cover, and insert Rollers into the Rail. Remove the Line-up Belt from Rollers using a tool such as a plier.

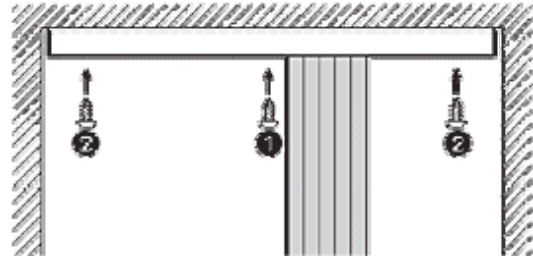


[When cutting is required]

Cut a Rail using a saw.
 Clean and remove all metal chips.

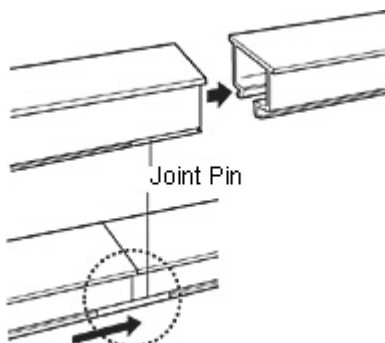


- (2) Raise the product and install the Rail with screws (ø3.5x25). One person should hold the products, and another should fix screws on the Rail. Fix center screw first, and side screws after.
 *Scratching rail groove by a driver may lack the smoothness in operation, so be careful.

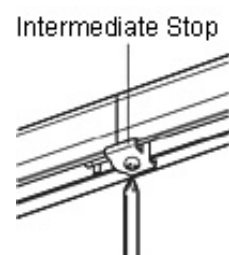


[Jointing of Rails]

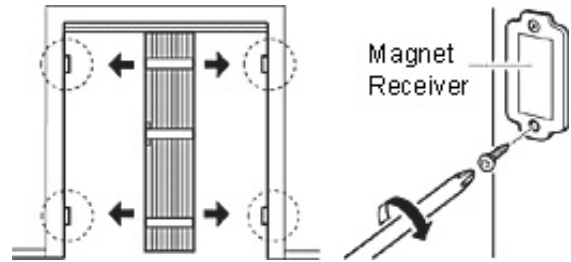
When required, inset Accordion and stall one Rail first. Insert Joint Pins into the other Rail, and install the Rail fitted to another Rail. Using a pointed tool, slide and position the Joint Pin to bridge two rails.



*For Two-way Draw, fix an Intermediate Stop.



(3) Attach Magnet Receivers with screws (ø3.1x16) accordingly to magnet positions on the Accordion.

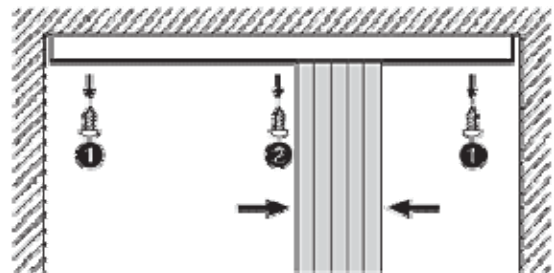


Detaching Instruction

CAUTION

For your safety, second person should support the Accordion Door while detaching.

- (1) Fold and stack the Accordion Door and place it in the center.
- (2) Remove side screws first, and unscrew the center at last.

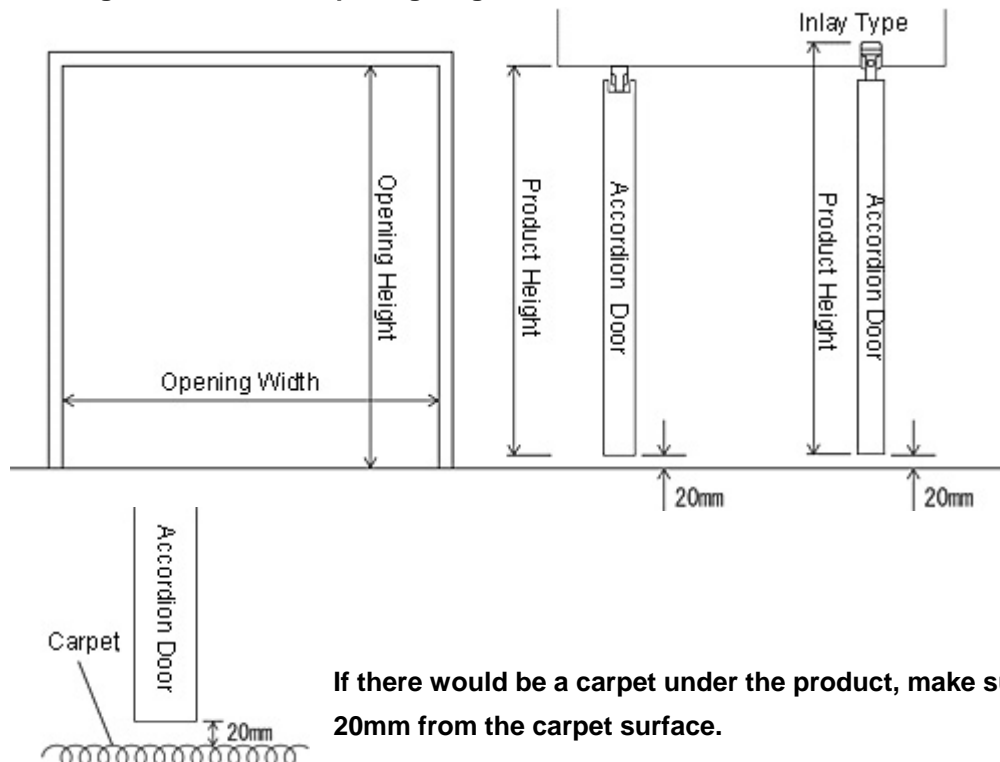


Operation

Open and close Accordion Doors by drawing the Grip.

Measuring Dimension *Specify dimension in unit of 10mm.

For width, measure and specify opening width as the product width.
 For height, measure the opening height and subtract 20mm.



***Product height:**
 measurement
 from top of rail
 to bottom of the
 product.

If there would be a carpet under the product, make sure to subtract 20mm from the carpet surface.