

OPTIONS for ACCORDION DOOR (2)

Intermediate Stop

To stop Accordion Door at desired position and to determine the center for Two-way Draw Type, Intermediate Stop is recommended.

This option is available for: **CLOZA EXCEL**
CLOZA LIGHT

CLOZA EXCEL



White

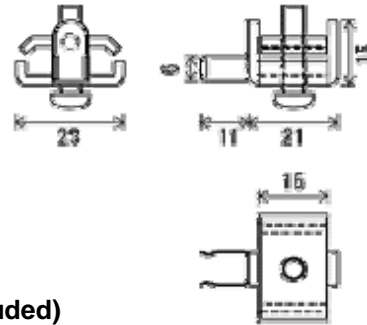


Platinum Gray



Dark Bronze

CLOZA EXCEL Intermediate Stop: 147 JPY / 1 Piece (Tax included)



CLOZA LIGHT

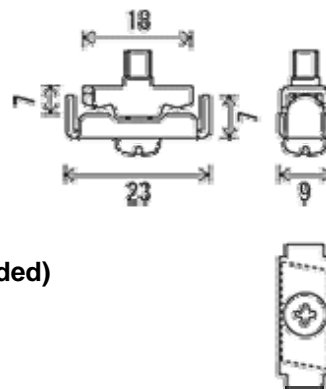


White




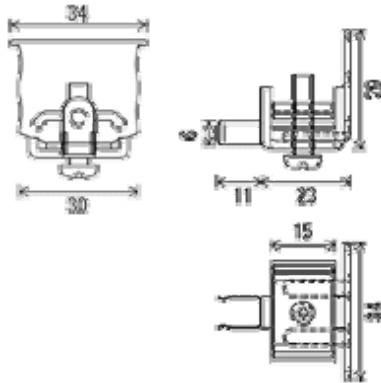



Dark Bronze


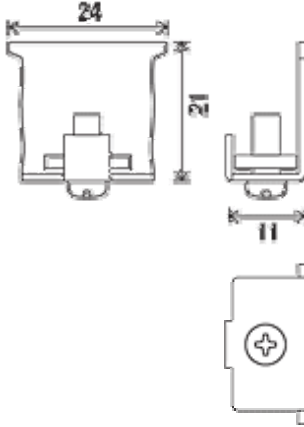



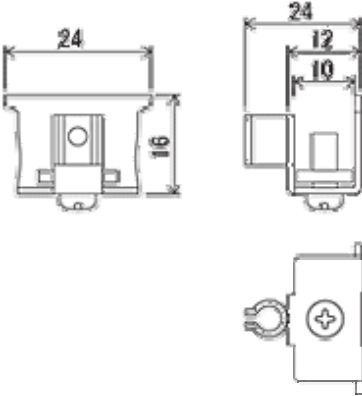

CLOZA LIGHT Intermediate Stop: 84 JPY / 1 Piece (Tax included)



Cap Stop

When Accordion edge is not fit to a wall, Cap Stop should be attached to secure rollers from falling off a rail.

System	Cap Stop and Price	Drawing	Colors
CLOZA EXCEL	 JPY 210 / 1 Piece (Tax included)		 White  P Gray  Bronze

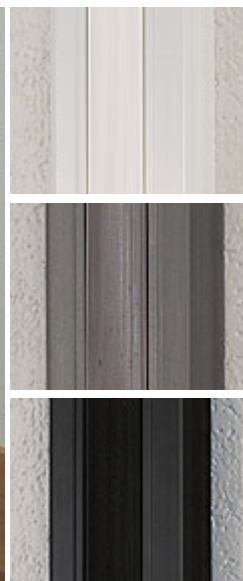
System	Cap Stop and Price	Drawing	Colors
CLOZA LIGHT	 JPY 147 / 1 Piece (Tax included)		 White  P Gray
WINTE	 JPY 94 / 1 Piece (Tax included)		 White

Wall Frame

When the wall surface is uneven with base board or border, use Wall Frame.

This option is available for: **CLOZA EXCEL**

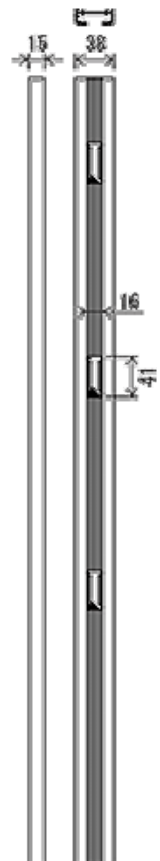
Price Reference: 4,725 JPY (Tax included) / 1 Piece



White

Platinum
Gray

Dark
Bronze



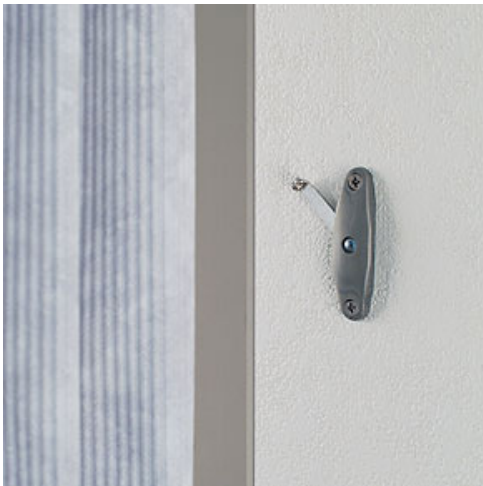
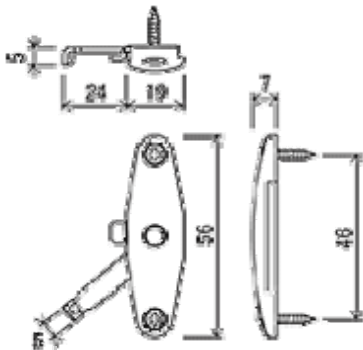


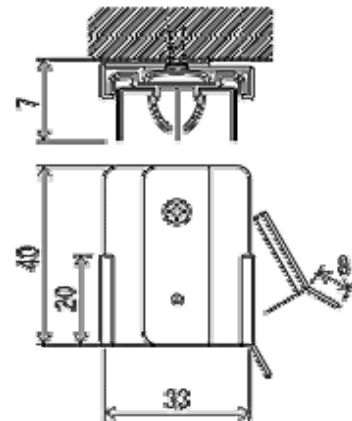

Fixing Aid

Required when fixing Accordion edge to a wall.

This option is available for: **CLOZA EXCEL**
CLOZA LIGHT

Necessary Quantity:

Product Width (mm)	Quantity
~ 2,200 mm	2 Pieces
2,210 mm	3 Pieces

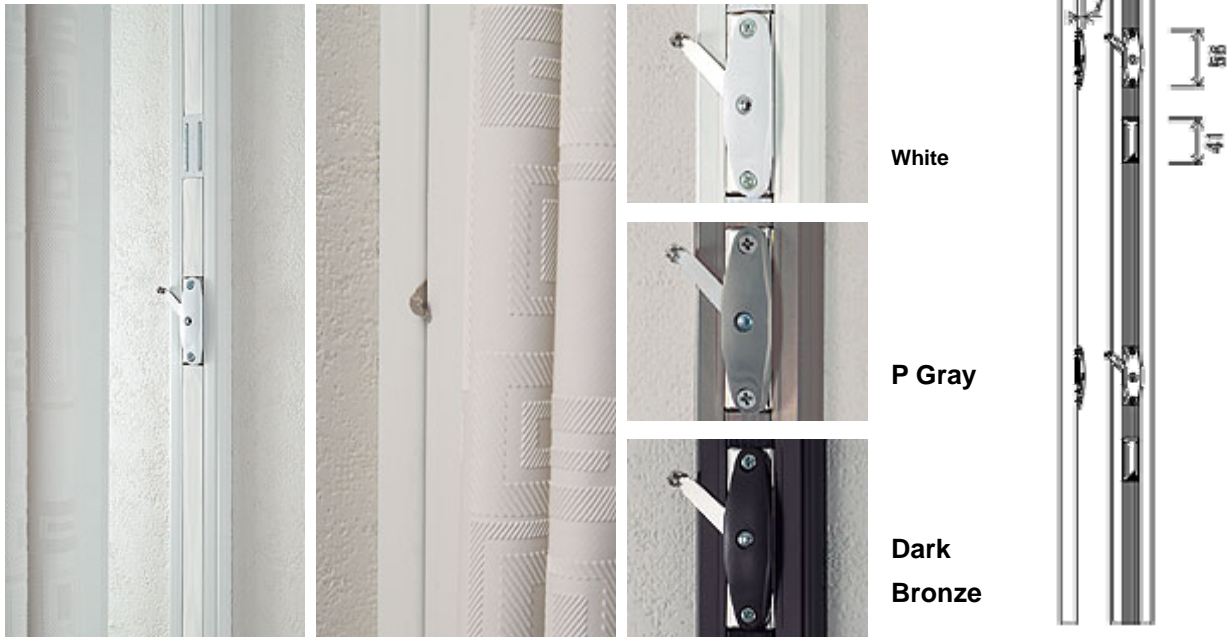
System	Fixing Aid and Price	Drawing	Color
CLOZA EXCEL	 <p>JPY 242 / 1 Piece (Tax included)</p>		
CLOZA LIGHT	 <p>JPY147 / 1 Piece (Tax included)</p>		

Fixed Frame

When the wall surface is uneven with base board or border, and when required to fix Accordion Door to the wall, use Fixed Frame.

This option is available for: **CLOZA EXCEL**

Price Reference: 5,250 JPY (Tax included) / 1 Piece



Open

Fixed

Adjustable Hanger Rod

Use Adjustable Hanger Rod when hanging Accordion Door from ceiling.

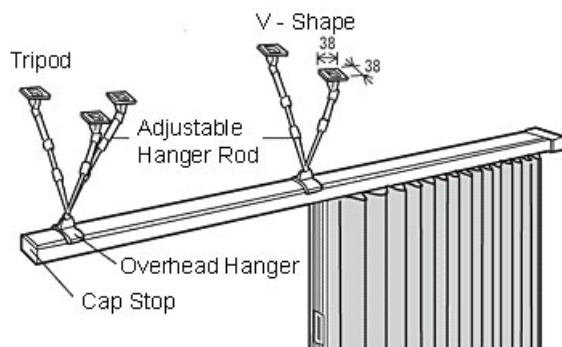
This option is available for:

CLOZA EXCEL
CLOZA LIGHT
WINTE



Price Reference: Adjustable Hanger Rod B400 (250~400mm) JPY 966 / 1 piece (Tax included)

Adjustable Hanger Rod B700 (400~700mm) JPY1,281 / 1 piece (Tax included)



V-Shape: Place in the center of the Accordion to support its weight.

Tripod Hanger: When edge is not wall attached, use Tripod Hanger to prevent swinging. Hanger Rod interval should be less than 500mm. On both ends, install a hanger rod 50 ~ 100mm apart from rail edges.


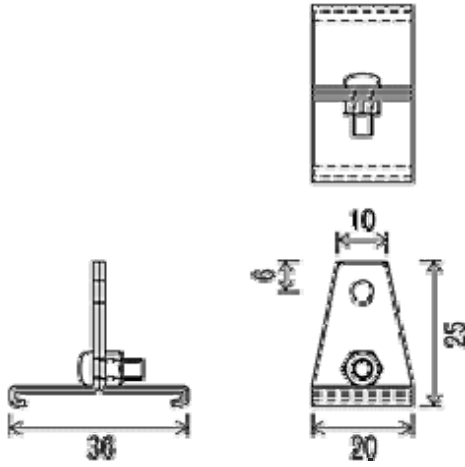



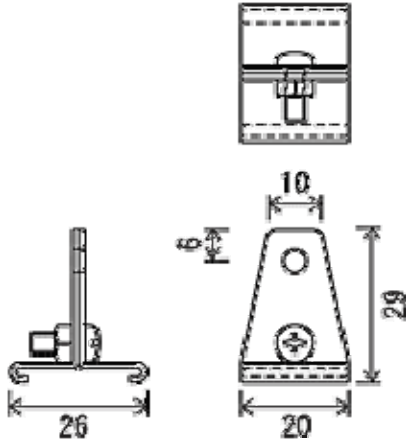


Overhead Hanger

When hanging Accordion from ceiling, attach Overhead Hanger to rail to fix required quantity of Adjustable Hanger Rods. Overhead Hanger is required in every 500mm of Rail. For both ends of rail, place Overhead Hangers 50 ~ 100mm apart from rail edges.

This option is available for:

CLOZA EXCEL
CLOZA LIGHT
WINTE


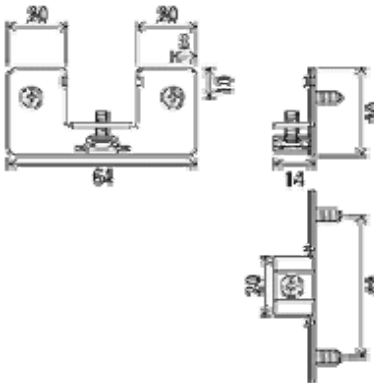




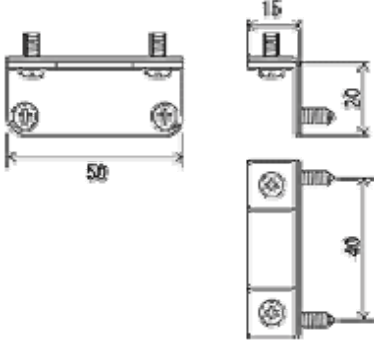



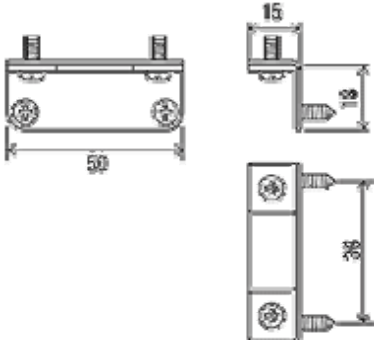



System	Color	Drawing	Price
CLOZA EXCEL	 White		JPY 126 / 1 piece (Tax included)
	 P Gray		
	 Bronze		
CLOZA LIGHT	 White		JPY 95 / 1 piece (Tax included)
	 P Gray		
WINTE	 White		JPY 95 / 1 piece (Tax included)

Wall Bracket

When Accordion Rail is hanged from ceiling and Accordion edge is fit to wall, use Wall Bracket to fix the rail edge.

This option is available for: **CLOZA EXCEL**
CLOZA LIGHT
WINTE

System	Wall Bracket and Price	Drawing	Color
CLOZA EXCEL	 JPY 105 / 1 Piece (Tax included)		 White  P Gray  Bronze
CLOZA LIGHT	 JPY 105 / 1 Piece (Tax included)		 White  P Gray
WINTE	 JPY 74 / 1 Piece (Tax included)		 Warm White

For more information, please contact TOSO Overseas Dept.