

Motorized Roller Blind

ATF35-RB

Nov. 2015
RENEWAL



- Exceptionally compact motorized roller blind.
- Two installation options are available: a neatly-fixed option, Side Bracket type or an easy-to-install option, Set Bar type.

ATF35-RB

ATF35-RB's Unique Features

This compact design motorized roller blind offers a variety of uses: from commercial to home.

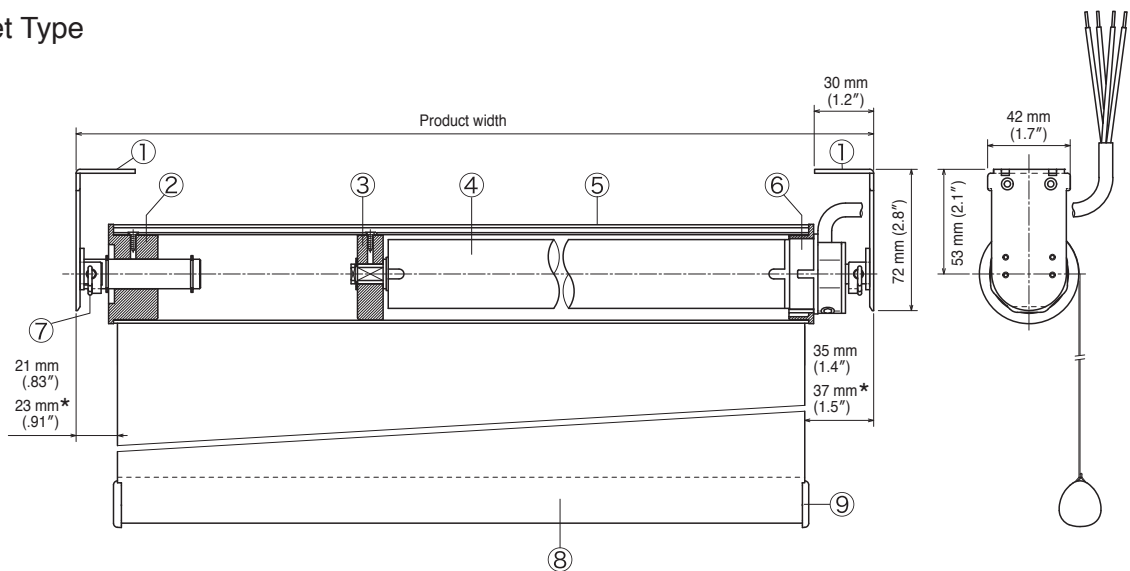
Easy Snap Bracket is available for easy installation and removal. (Set Bar type)

ATF35 tubular motor realizes quiet operation.

At the Set bar type, the gap between Side Brackets and a screen is small.

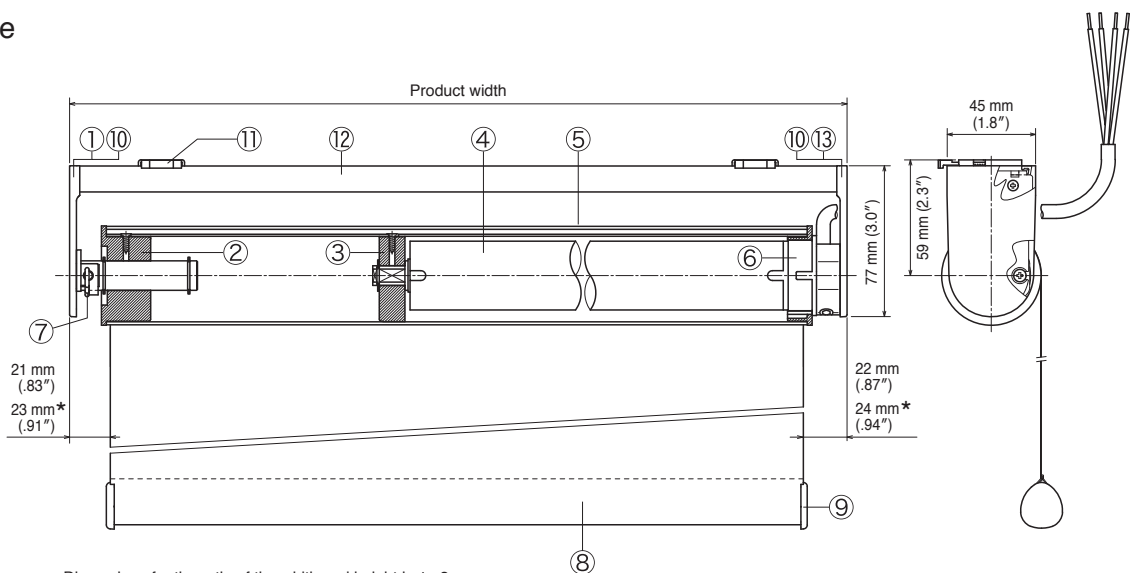
Structure Drawing

Side Bracket Type



* Dimensions for the ratio of the width and height is 1 : 3 or more.

Set Bar Type



* Dimensions for the ratio of the width and height is 1 : 3 or more.

Components and Materials

Side Bracket Type

No.	Components	Material
①	ATF35 End Side Bracket	Stainless steel
②	ATF35 Pipe End	Polyacetal resin
③	ATF35 Drive	Polyacetal resin
④	ATF35 Tubular Motor	—
⑤	ATF35 Roller Pipe ø 50	Aluminum
⑥	ATF35 Limit Crown	Polyacetal resin
⑦	Split Pin	Steel
⑧	MT03 Weight Bar	Aluminum
⑨	MT03 Weight Bar Cap	Polyethylene resin

Set Bar Type

No.	Components	Material
①	ATF35 End Side Bracket	Stainless steel
②	ATF35 Pipe End	Polyacetal resin
③	ATF35 Drive	Polyacetal resin
④	ATF35 Tubular Motor	—
⑤	ATF35 Roller Pipe ø 50	Aluminum
⑥	ATF35 Limit Crown	Polyacetal resin
⑦	Split Pin	Steel
⑧	MT03 Weight Bar	Aluminum
⑨	MT03 Weight Bar Cap	Polyethylene resin
⑩	Side Cover	AES resin
⑪	MT01N Bracket	Steel
⑫	MT01N Set Bar	Aluminum
⑬	ATF35 Motor Side Bracket N	Stainless steel

Motor Specifications

Power Source Voltage	V	AC220–230
Frequency	Hz	50/60
Current	A	0.53
Power Consumption	W	121

Rated Torque	Nm	3
Rated RPM	rpm	23.5/27
Rated Running Time	min.	4
Ambient Temperature	°C	-10–40

Allowable Size

Width	600–2000 mm (24–79")
Height	500–4500 mm (20–177")
Max Surface area	9 m ² (11 yd ²)

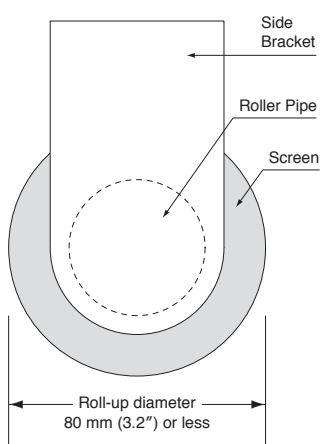
Product Weight

4.2 kg (9.3 lb)
(width: 2000 mm/79" without screen)

*On Side Bracket type.

*Allowable size is different by the screen fabric. Please refer to "Typical Roll-up Diameter" and Rated Torque.

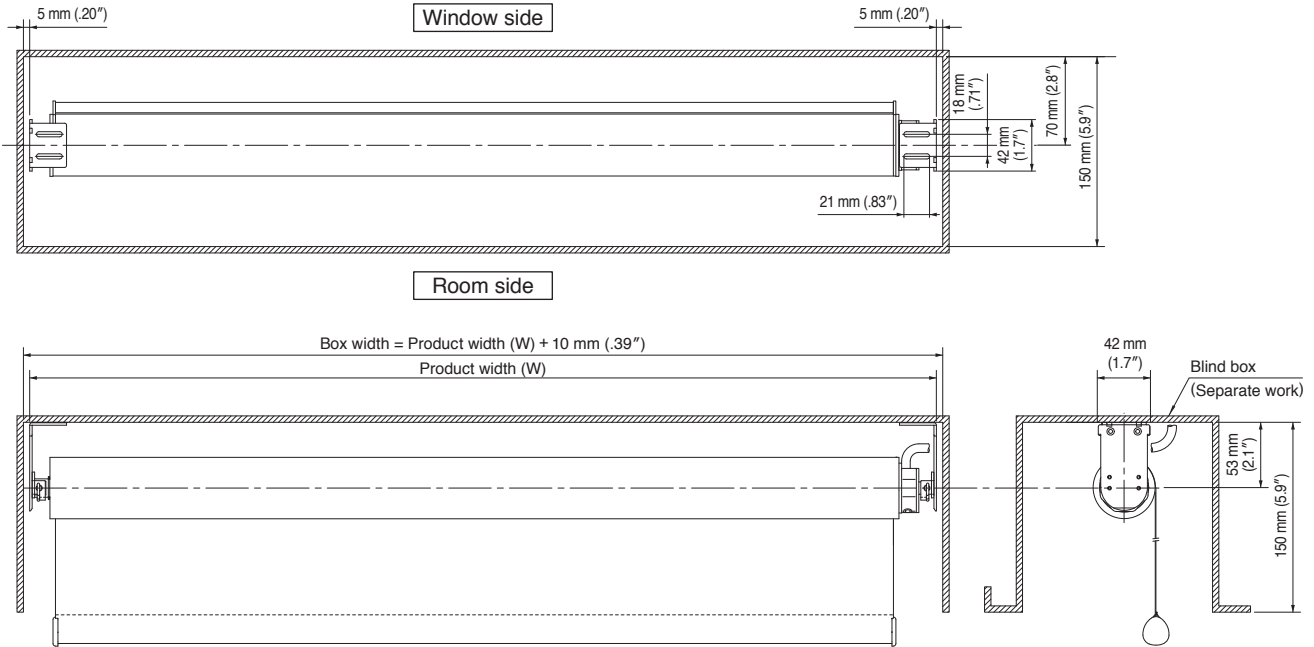
Typical Roll-up Diameter



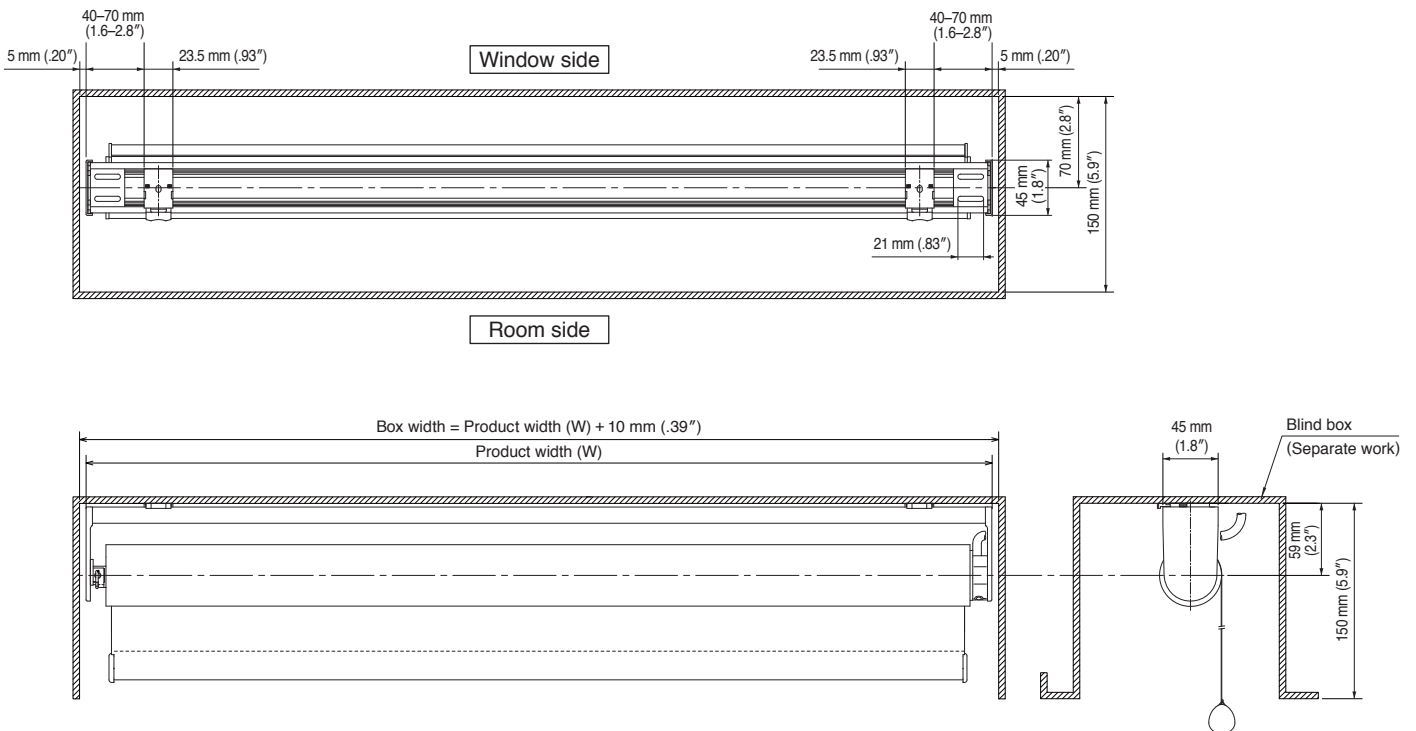
Height		500 mm (20")	1000 mm (39")	1500 mm (59")	2000 mm (79")	2500 mm (98")	3000 mm (118")	3500 mm (138")	4000 mm (158")	4500 mm (177")
0.1 mm	Roll-up diameter	44	45	46	47	47	48	49	49	50
	Number of rolling	7	11	14	18	21	25	28	31	34
0.2 mm	Roll-up diameter	46	47	49	50	51	52	54	55	56
	Number of rolling	7	11	14	17	20	23	26	29	32
0.3 mm	Roll-up diameter	47	49	51	53	55	56	58	60	61
	Number of rolling	7	10	14	17	20	22	25	28	31
0.4 mm	Roll-up diameter	49	51	54	56	58	60	62	64	66
	Number of rolling	7	10	13	16	19	22	24	27	29
0.5 mm	Roll-up diameter	50	53	56	59	61	64	66	69	71
	Number of rolling	7	10	13	16	18	21	23	26	28
0.6 mm	Roll-up diameter	51	55	58	61	64	67	70	73	75
	Number of rolling	7	10	13	15	18	20	23	25	27
0.7 mm	Roll-up diameter	52	56	60	64	67	70	74	77	79
	Number of rolling	7	10	12	15	17	20	22	24	26
0.8 mm	Roll-up diameter	54	58	62	66	70	74	77	--	--
	Number of rolling	7	9	12	15	17	19	21	--	--

Overall Structure Drawing

Side Bracket Type



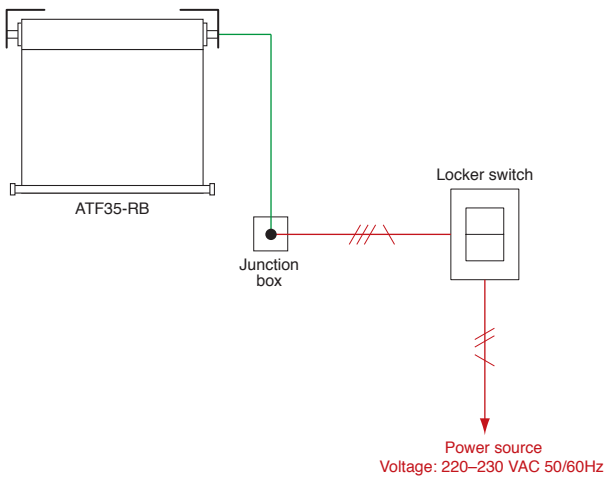
Set Bar Type



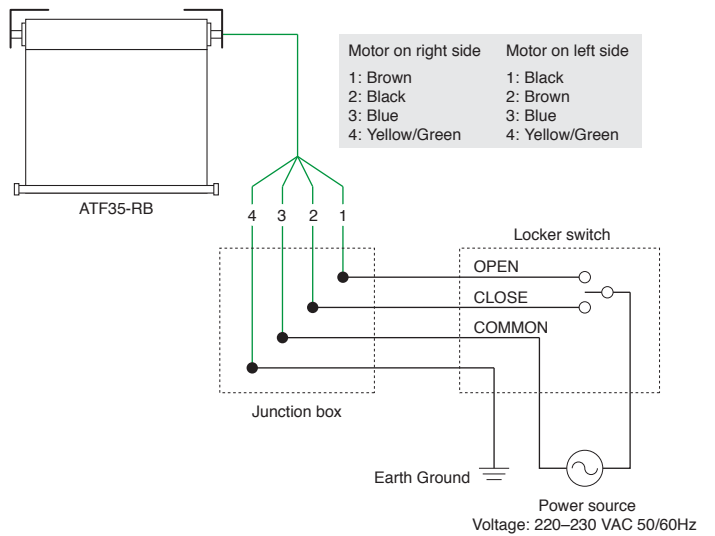
Basic Wiring and Connecting Diagram

Single Operation

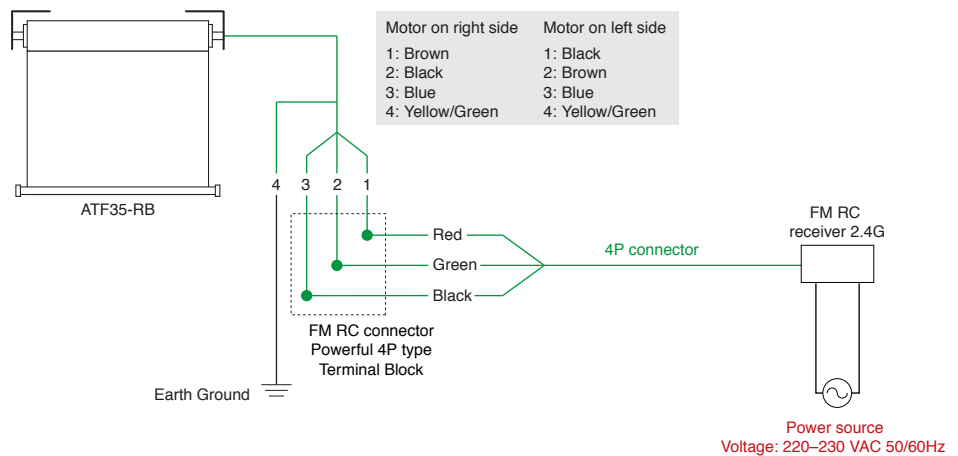
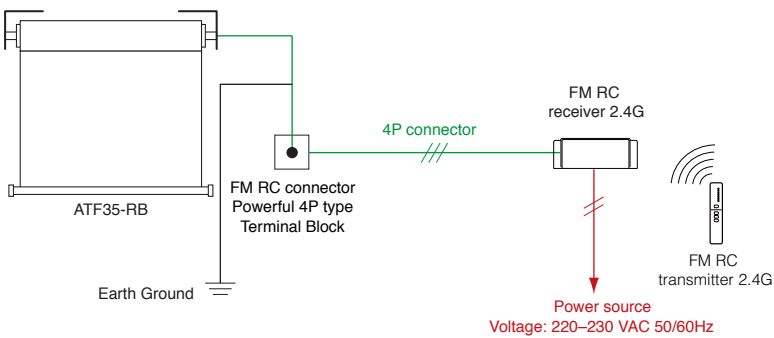
Basic Wiring Diagram



Basic Connecting Diagram



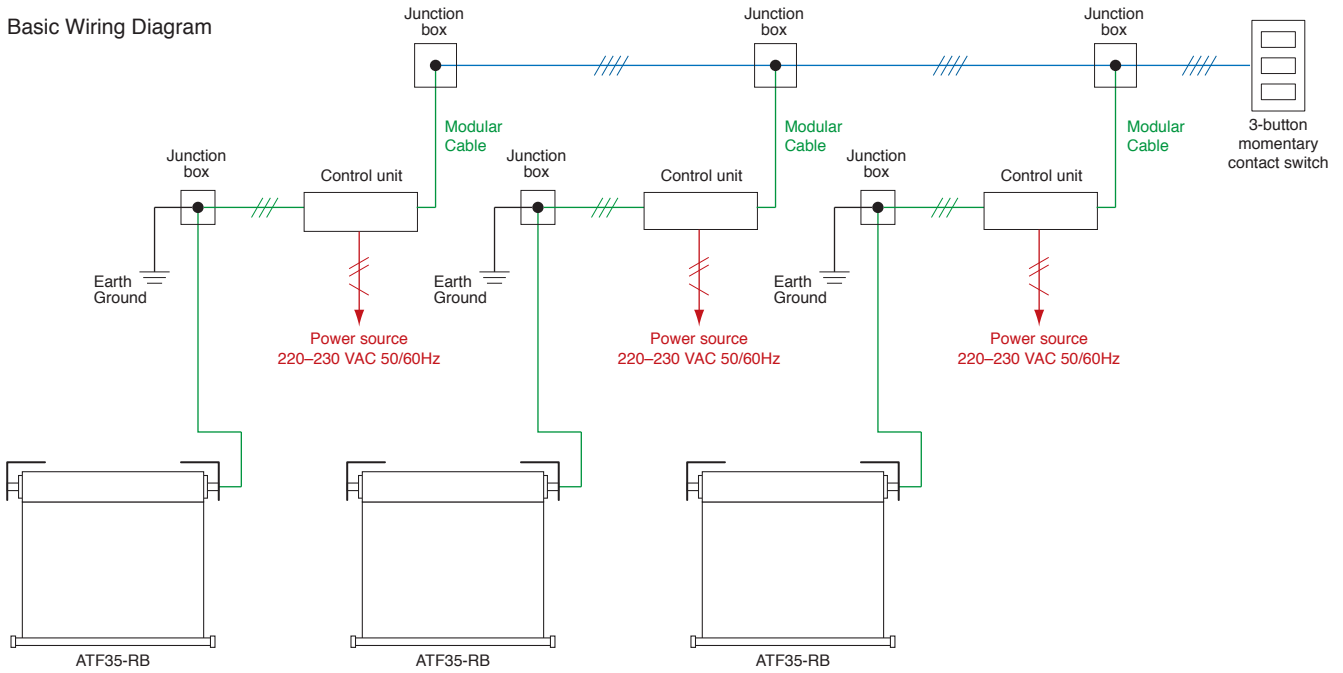
FM Remote Operation



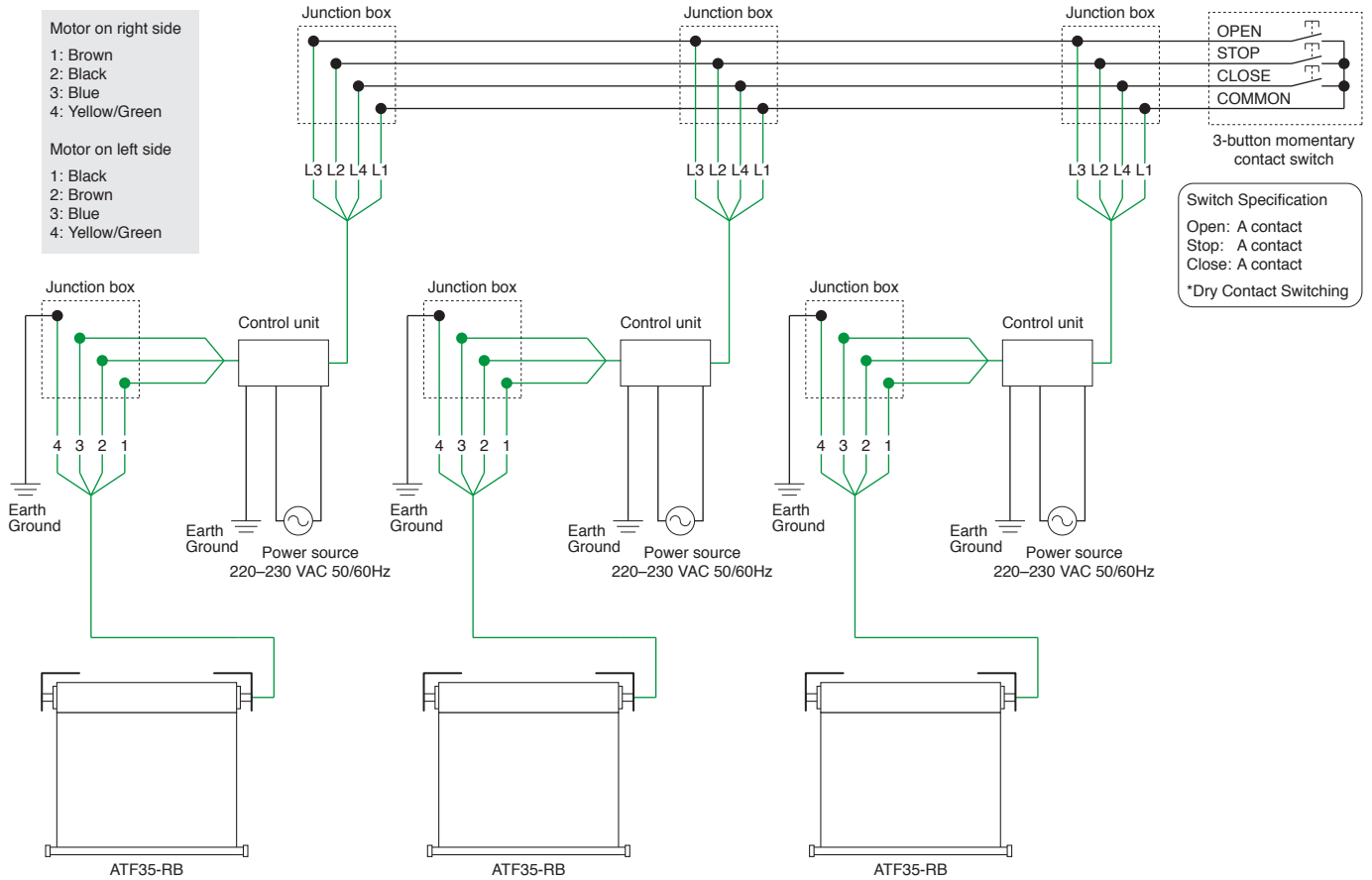
Explanatory notes: — Power supply, — Main body attachment or TOSO standard

Simultaneous Operation

Basic Wiring Diagram



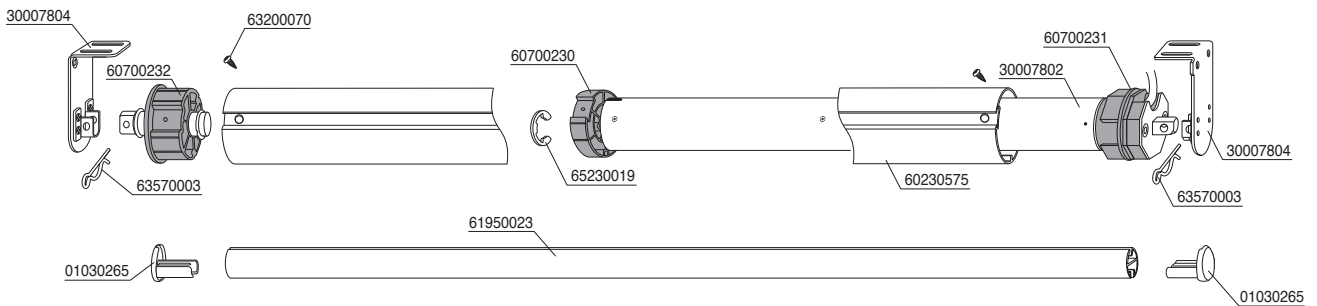
Basic Connecting Diagram



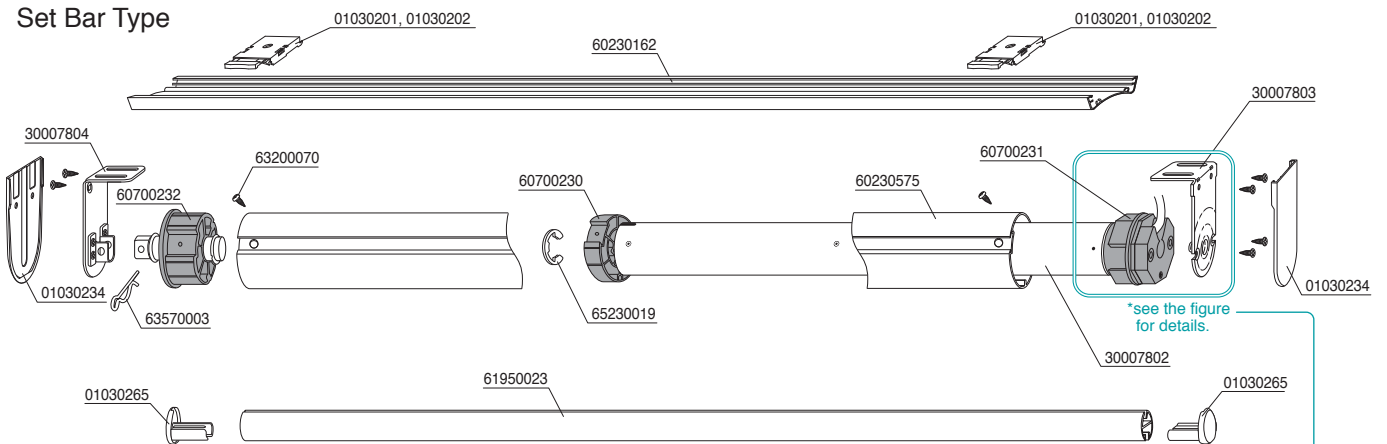
Explanatory notes: — Power supply, — Low voltage control line, — Main body attachment or TOSO standard

Exploded View

Side Bracket Type

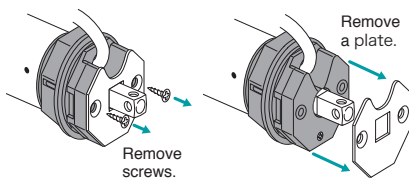


Set Bar Type



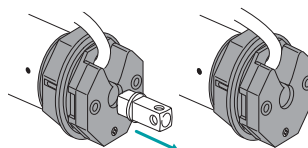
Tubular Motor parts need to be changed for Set Bar type

1 Remove a plate from the Tubular Motor on right side.

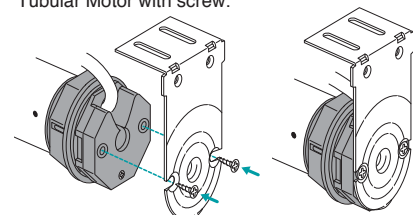


2 Remove the shaft.

Remove the shaft on Tubular Motor.



3 Fix the ATF35 Motor Side Bracket N on the Tubular Motor with screw.

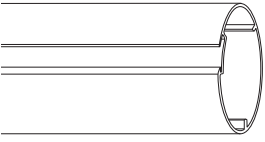
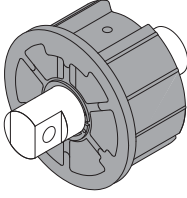
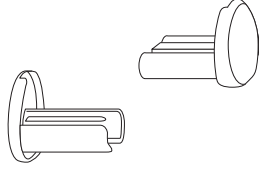
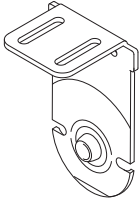

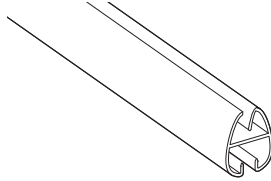
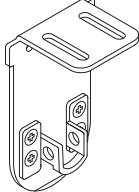


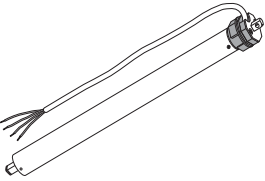
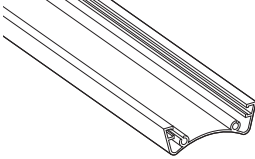

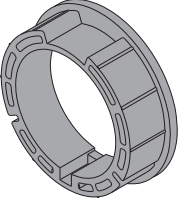
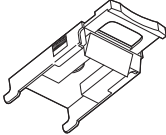
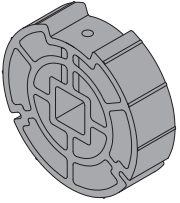
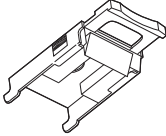


Parts and Components

Item No.	Product Name	Side Bracket Type	Set Bar Type
30007802	ATF35 Tubular Motor	1 pc	1 pc
60700231	ATF35 Limit Crown	1 pc	1 pc
60700230	ATF35 Drive	1 pc	1 pc
60700232	ATF35 Pipe End	1 pc	1 pc
60230575	ATF35 Roller Pipe φ 50 2000 mm (79")	W-62 mm (2.4")	W-41 mm (1.6")
30007803	ATF35 Motor Side Bracket N	—	1 pcs
30007804	ATF35 End Side Bracket	2 pcs	1 pcs
60230162	MT01N Set Bar White 2800 mm (110")	—	W-7 mm (.28")
01030201	MT01N Bracket (2 pcs)	—	Up to W1000 mm (39"): 1 set
01030202	MT01N Bracket (3 pcs)	—	W1010 mm (40") or over: 1 set

Item No.	Product Name	Side Bracket Type	Set Bar Type
01030265	MT03 Weight Bar Cap White	2 pcs	2 pcs
61950023	MT03 Weight Bar White 2730 mm (108")	[W:H=1:3] or over: W-69 mm (2.7") Up to [W:H=1:3]: W-65 mm (2.6")	[W:H=1:3] or over: W-48 mm (1.9") Up to [W:H=1:3]: W-44 mm (1.7")
63570003	Split Pin	1 pc	2 pcs
65230019	Retaining Ring	1 pc	1 pc
63200070	Tapping Screw 3 x 10	6 pcs	6 pcs
01030234	Side Cover White	—	2 pcs

ATF35-RB Parts

Product Name	Product Code	Product Name	Product Code	Product Name	Product Code
ATF35 Roller Pipe Ø 50 2000 mm 	60230575	ATF35 Pipe End 	60700232	MT03 Weight Bar Cap White 	01030265
ATF35 Motor Side Bracket N 	30007803	Split Pin 	63570003	MT03 Weight Bar White 2730 mm 	61950023
ATF35 End Side Bracket 	30007804	Retaining Ring 	65230019	Side Cover White 	01030234
ATF35 Tubular Motor 	30007802	MT01N Set Bar White 2800 mm 	60230162	Tapping Screw 3 × 10 	63200070
ATF35 Limit Crown 	60700231	MT01N Bracket (2 pcs) 	01030201	* Use for Set Bar type only.	
ATF35 Drive 	60700230	MT01N Bracket (3 pcs) 	01030202		