

Radio Frequency Remote-Control

FM Remote-Control Receiver/Transmitter

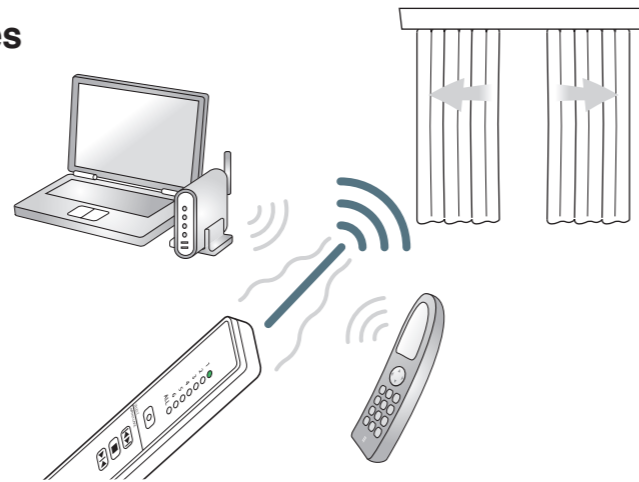


- Remote-control transmitting and receiving device configured for the 2.4 GHz band.
- Compact shape with a built-in antenna.

FM Remote-Control Receiver/Transmitter's Unique Features

1. Multi-channel Access System makes for Reliable Transmissions

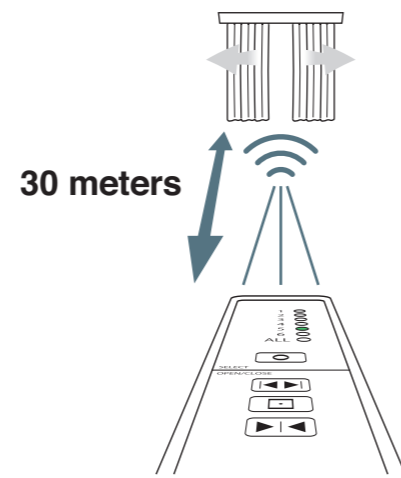
- Steady transmissions don't pick up interference from signals emitted by other devices.
- FM Remote-Control Transmitter 2.4G communicates on 3 wavelengths, so even in the event that one of them is subject to interference, steady transmissions are still possible.



2. Using strong radio frequencies

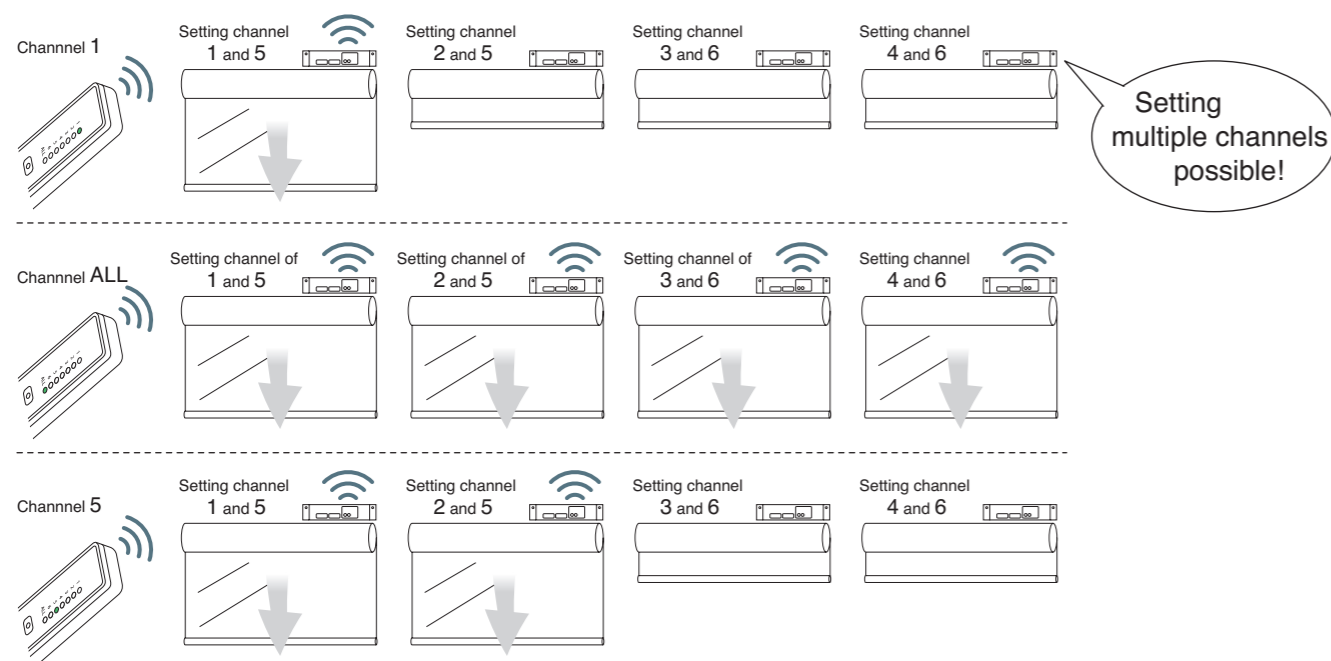
- Operable from a 30 meter distance, thus making it possible to install it in a variety of places, such as in a high window.
- Our FM Remote-Control Transmitter 2.4G emits signals that are strong enough to make transmissions possible even if there are obstacles in the way.

*Subject to conditions.

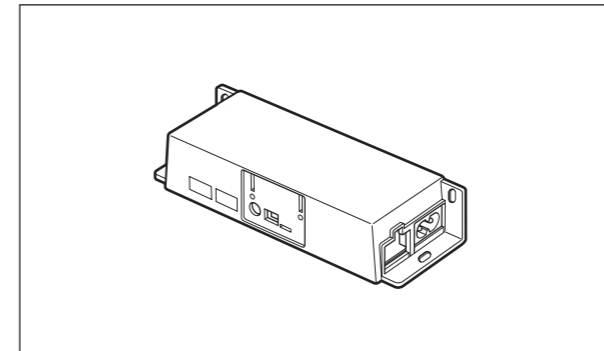


3. Setting multiple channels in one receiver possible

- Multiple channels can be set in one receiver, so it is possible to send signals from even one transmitter to the receiver in which each of the channels has been set.
- So individual, simultaneous, and even various group operations can be performed.



FM Remote-Control Receiver 2.4G



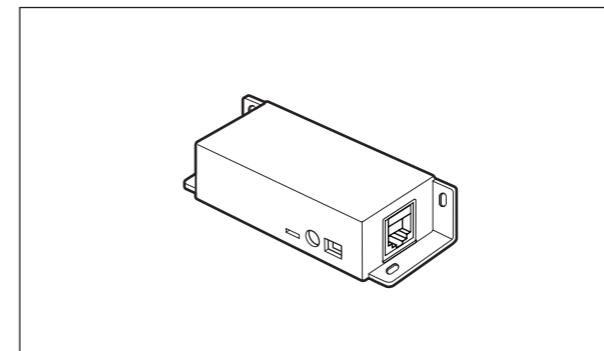
Receiver can be used with any TOSO product

Can be used with all motorized curtain tracks and motorized blinds.

Multiple addresses can be set with one receiver

Individual, simultaneous and group operation are possible when the address is properly set.

FM Remote-Control Receiver 2.4G with IR Terminal



Compact body with a built-in antenna

The antenna is built into the receiver, for a compact, beautiful design. The built-in antenna fits snugly into the body, for attractive contours. The receiver draws power directly from operated products.

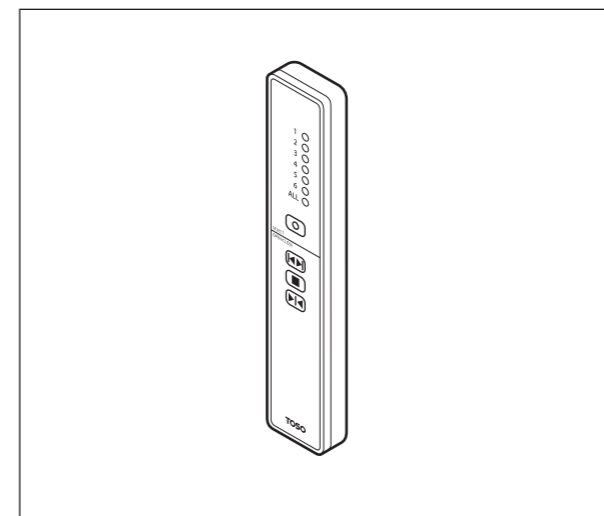
No wiring or dedicated power supply required.

*For the product with IR Terminal only. (Progress 50)

Multiple addresses can be set with one receiver

Individual and simultaneous operations are both possible when the address is properly set.

FM Remote-Control Transmitter 2.4G



Six individual channel operations and simultaneous operations possible

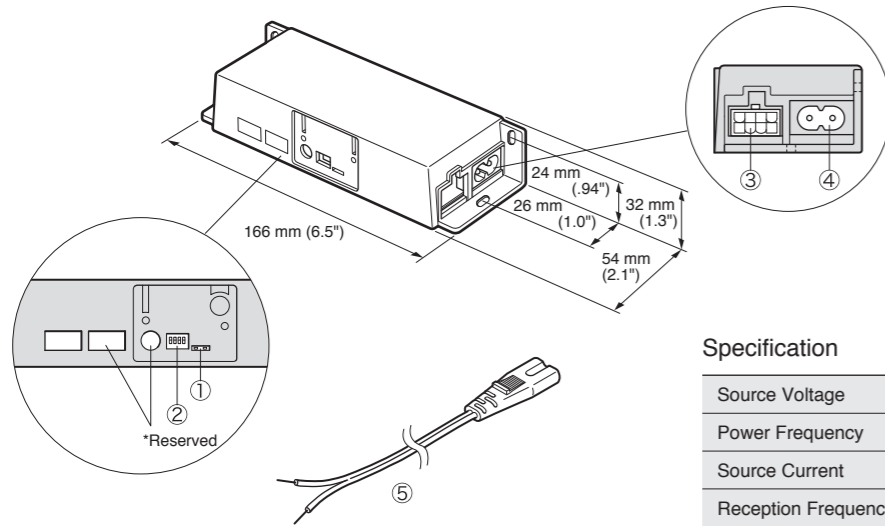
Individual and simultaneous operations are both possible when the channels are properly set.

Easy-to-read display

You can tell at a glance which channel you are operating because of the easy-to-read LED lamp.

Product View

FM Remote-Control Receiver 2.4G



Specification

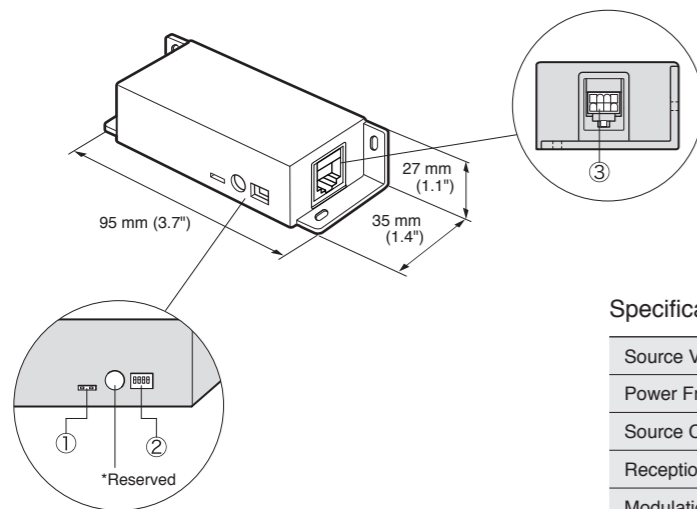
Source Voltage	AC100V, AC220-240V
Power Frequency	50/60 Hz
Source Current	300 mA
Reception Frequency	2.4 GHz
Modulation	FSK
Output	Relay output
Protection	5A internal fuse
Ambient Temperature	0-50°C (Non-condensing)
Product Size	W 166 mm x H 54 mm x D 32 mm
Product Weight	Approx. 145 g
Antenna	Internal
Contact Rating	AC100V 2.5A, AC220-240V 1A

Parts Name

①	LED Indicator Lamp (red, green)
②	Selection Switches
③	FM RC Connection Terminal
④	Power Supply Terminal
⑤	AC Cord



FM Remote-Control Receiver 2.4G with IR Terminal



Specification

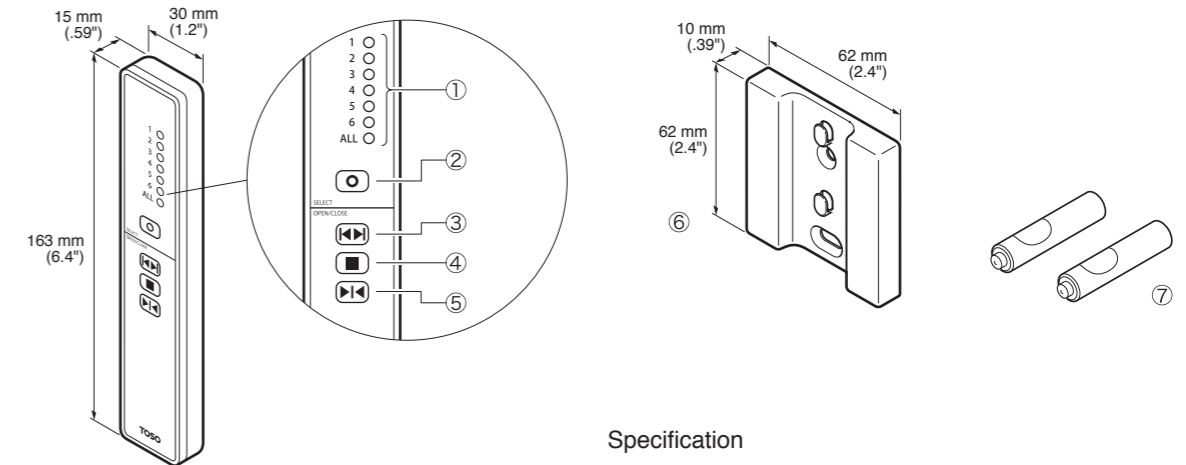
Source Voltage	DC5V
Power Frequency	50/60 Hz
Source Current	40 mA or lower
Reception Frequency	2.4 GHz
Modulation	FSK
Output	Relay output
Ambient Temperature	0-50°C (Non-condensing)
Product Size	W 95 mm x H 35 mm x D 27 mm
Product Weight	Approx. 40 g
Antenna	Internal

Parts Name

①	LED Indicator Lamp (red, green)
②	Selection Switches
③	IR Jack (6 poles, 4 cores)



FM Remote-Control Transmitter 2.4G



Specification

Source Voltage	DC3V (4A dry cell batteries x 2)
Source Current	30 mA or lower
Wave Frequency	2.4 GHz
Modulation	FSK
Number of Channel	1-6, (ALL for 6 CH)
Ambient Temperature	-10-50°C (Non-condensing)
Reaching Distance	30 m (varies depending on the condition)
Product Size	W 30 mm x H 163 mm x D 15 mm
Product Weight	Approx. 36 g

Parts Name

①	Address No. LED Indicator Lamp
②	Address No. Setting Button
③	Open Button
④	Stop Button
⑤	Close Button
⑥	Holder
⑦	Battery (4A dry cell batteries: 2 pcs.)



Support for Products

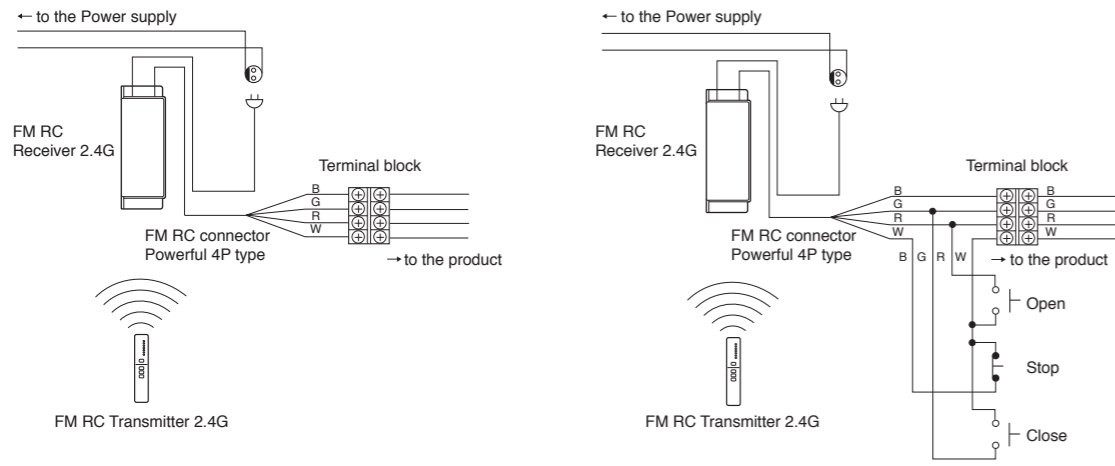
Product	Transmitter	Receiver			Connector		Terminal Block
	Transmitter 2.4G	Receiver 2.4G	Receiver 2.4G with IR terminal	Powerful 4P type	Non Voltage type	Modular Cord (6 pores, 4 cores)	
	02390040	02390043	02390042	02390035	02390036	02380002	
Motorized Curtain Tracks	Powerful 3L						
	Powerful 3L-HM						
Motorized Venetian Blinds	Powerful Little N3L						
	Powerful 4P	○	○	—	○	—	
	Powerful 4P-HL						
	Powerful 4P-HM						
Motorized Roller Blinds	Progress 25/50	○	○*	○*	○	○	
	Powerful G4P						
Motorized Roman Shade	Venewood AT	○	○	—	○	—	
	ATF35-RB	○	○	—	○	—	
Motorized Roman Shade	ATF45-RB	○	○	—	○	—	
	ATF35-RS	○	○	—	○	—	
	ATF45-RS	○	○	—	○	—	
	Super Liberta	○	○	—	○	—	

*Select either one.

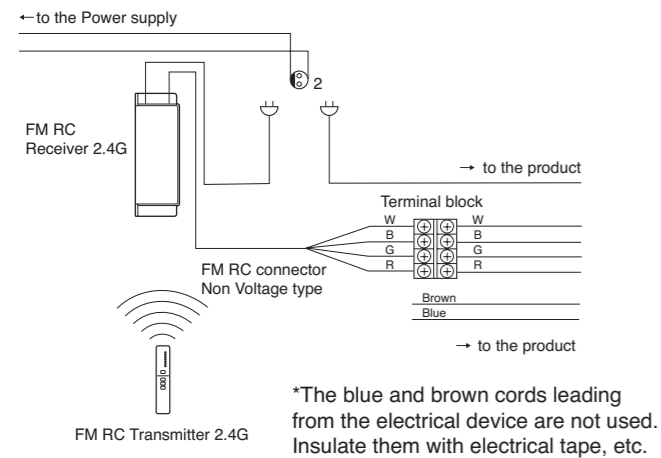
Basic Wiring and Connecting Diagram

FM Remote-Control Receiver 2.4G

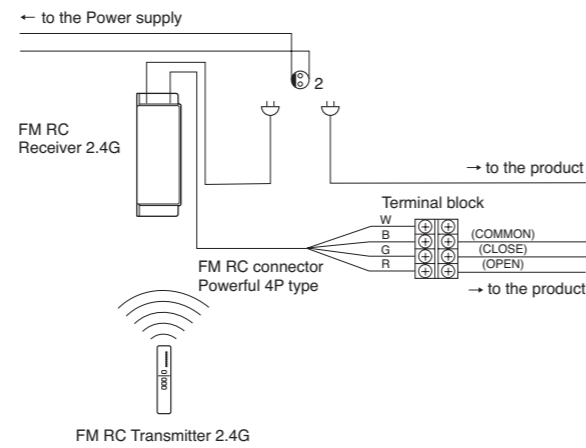
Motorized Curtain Tracks—Powerful 4P, 4P-HL, 4P-HM, G4P



Motorized Venetian Blinds—Venewood AT

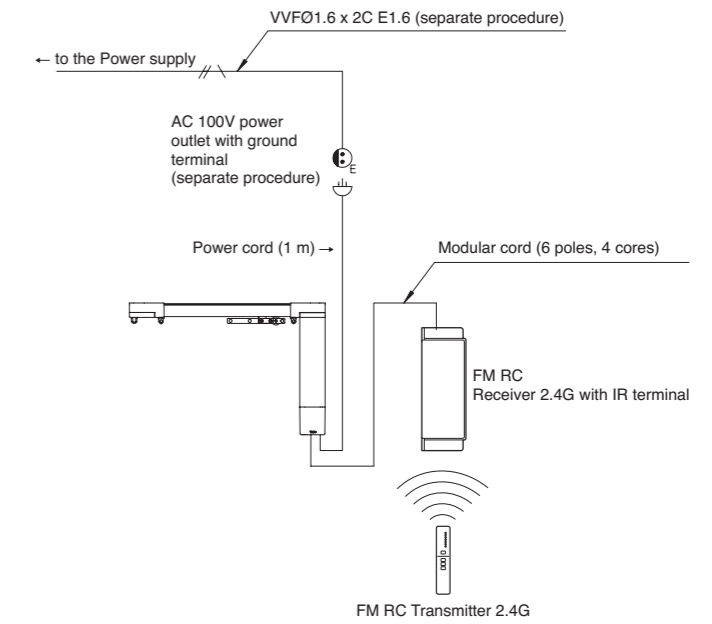


Motorized Roller Blinds/Roman Shades
—ATF35-RB, ATF45-RB, ATF35-RS, ATF45-RS



FM Remote-Control Receiver 2.4G with IR Terminal

Motorized Curtain Tracks—Progress 50



FM Remote-Control Receiver/Transmitter 2.4G Parts

Product Name	Product Code	Product Name	Product Code
FM Remote-Control Transmitter 2.4G	02390040	FM Remote-Control Connector (Powerful 4P type)	02390035
FM Remote-Control Receiver 2.4G	02390043	FM Remote-Control Connector (Non Voltage type)	02390036
FM Remote-Control Receiver 2.4G with IR Terminal	02390042	Modular Cord 1 m (six-poles, four-cores)	02380002