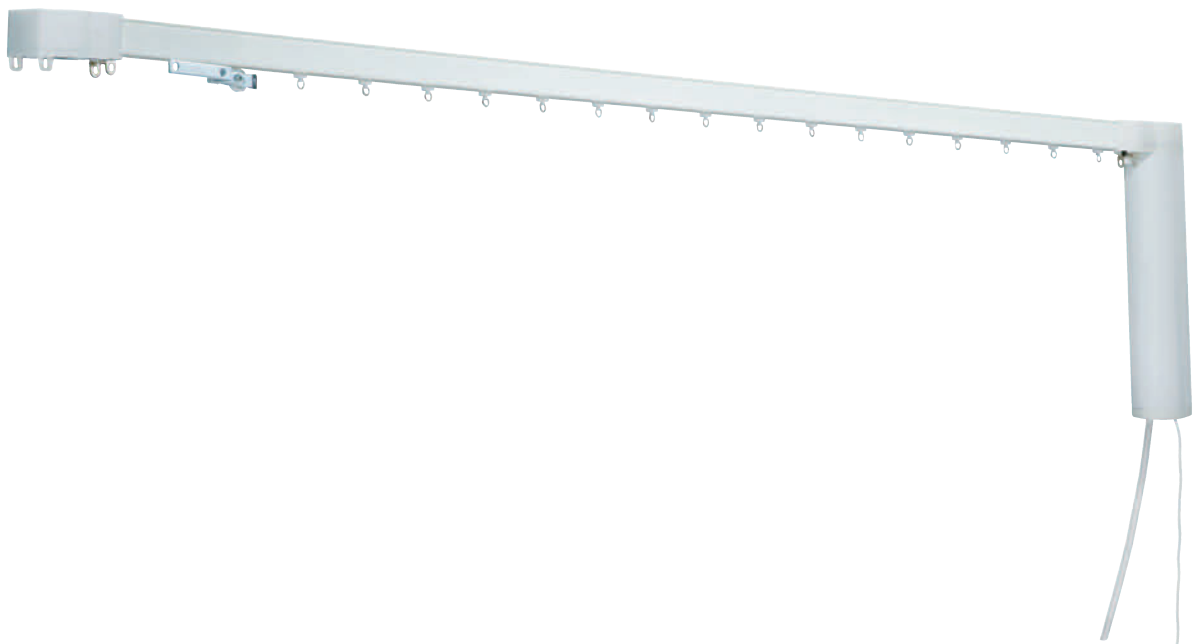


Motorized Curtain Track

Ti-8040



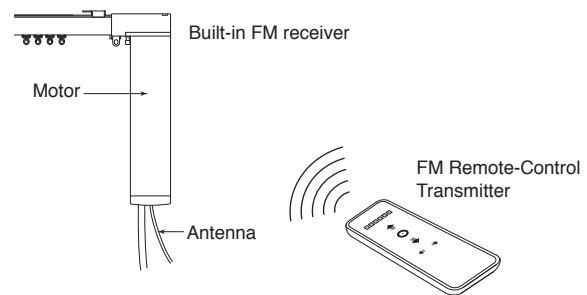
- FM remote-control receiver is build-in.
- Motorized curtain track with ultra-quiet operation.
- Automatically identifies and set Open and Stop operation limits.
- Manual-override (by hand-draw operation) is possible.
- Enables opening/closing of curtains without using any switch operations. (Touch Motion)

Ti-8040

Ti-8040's Unique Features

Feature 1: A built-in FM Remoto-Control Receiver

The new motor utilises a built-in FM receiver for control.



Feature 2: Quiet operation with a new motor and new rollers

The new motor and rollers provide ultra-quiet operation.

Feature 3: Can be curved into a variety of shapes

L-shaped, U-shaped, S-shaped and gradual curves.

Feature 4: Hand-draw operation as well as motor operation

A built-in electromagnetic clutch allows the drapery to be drawn by hand.

Feature 5: Highly durable belt drive transmission system

The belt drive transmission system is highly durable.

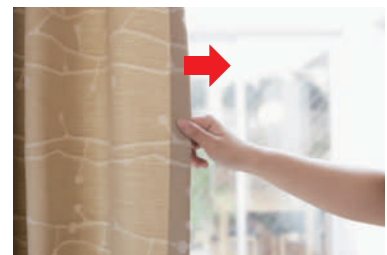
Feature 6: “Slow start” and “slow stop” functions

These functions enable the smooth start and stop of drapery operation.

Feature 7: Touch motion function

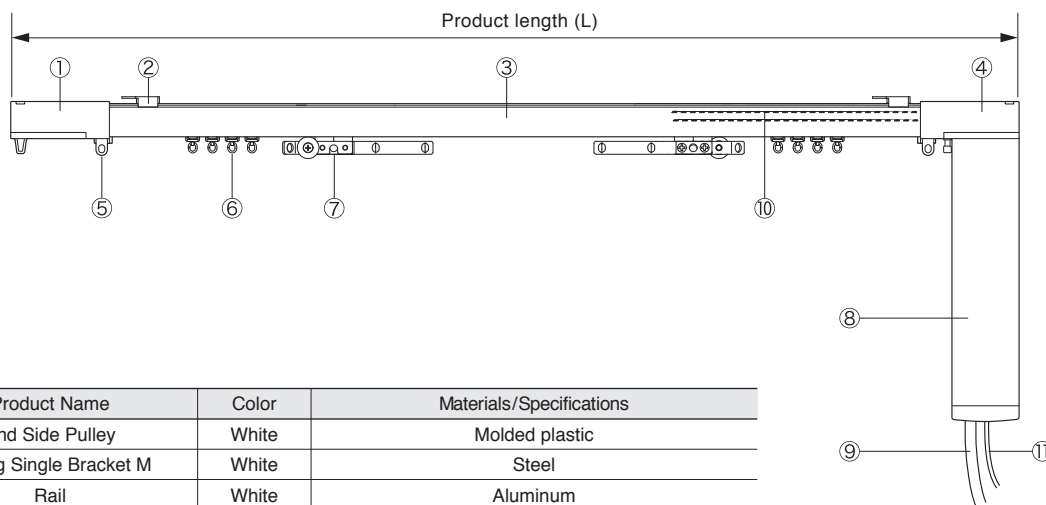
The touch motion function can perform opening/closing of curtains without using any switch.

If curtain is drawn, it will begin to move in the direction itself, and will stop at the place on limit setup.



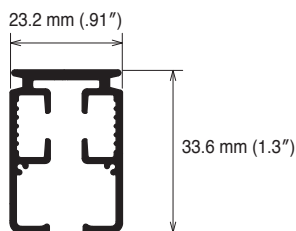
Product Overall View and Names of Parts

Ti-8040

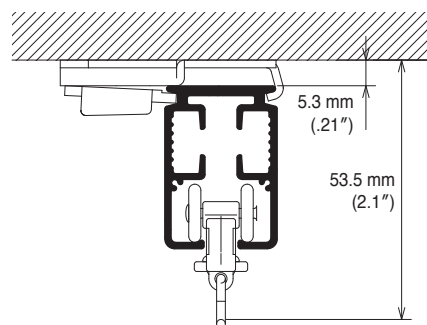


No.	Product Name	Color	Materials/Specifications
①	End Side Pulley	White	Molded plastic
②	Ceiling Single Bracket M	White	Steel
③	Rail	White	Aluminum
④	Motor Side Pulley	White	Molded plastic
⑤	Stop	Metallic	Steel
⑥	Noiseless Roller	Natural	Molded plastic
⑦	Pilot Roller Set	Metallic	Steel, Molded plastic
⑧	Motor	White	Aluminum, molded plastic (case)
⑨	Electric Cord with the ground	White	Wire with plug (1 m/39")
⑩	Drive Belt	Green	3-layer structure of steel wires, plastic and fiber
⑪	Antenna	White	Wire

Rail Cross Section

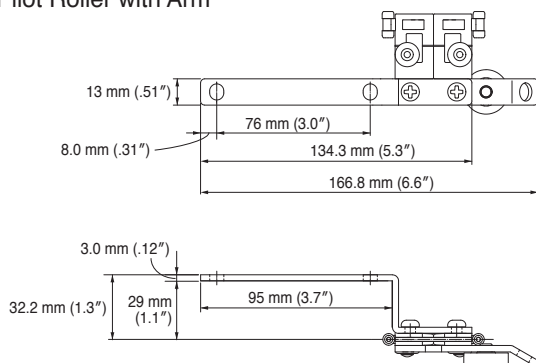


Installation Dimensions

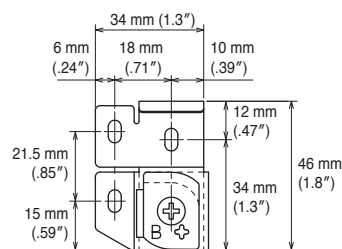


Product Size

Pilot Roller with Arm

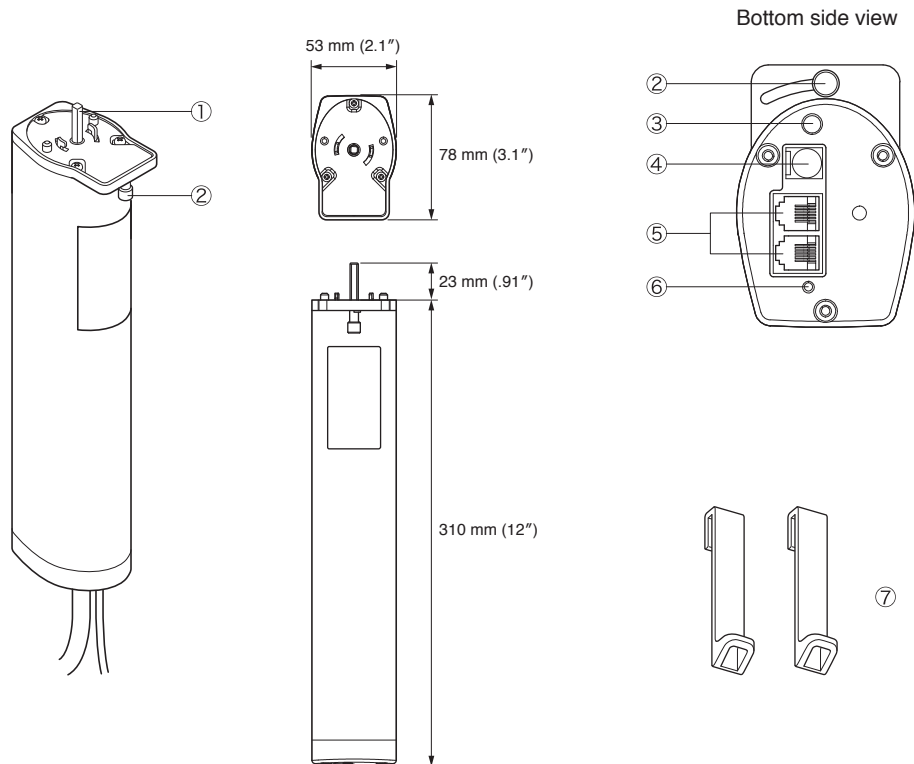


Ceiling Single Bracket M



Product View and Specifications

Ti-8040



Parts Name

①	Motor Shaft
②	Fixing Lever
③	LED Indicator Lamp (red, green)
④	Power Supply Terminal
⑤	Motor Cord Terminal (one channel)
⑥	PG Button
⑦	Curtain Hook

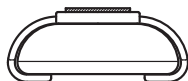
Specification

Rated power voltage	AC 100 to 240 V
Rated power frequency	50/60 Hz
Power consumption	During stand by: 2.5 W or lower Max. load operation: 90 W
Operating voltage	DC 5 V
Operating current	5 mA
Power rating	0.6 A (AC 220 V), 1.4 A (AC 100 V)
Operating speed	8 sec./m
Rated current	0.8 N.m
Ambient temperature	0 to 50°C (non-condensing)
Time rating	4 min. (continuous operation)
Noise level	40 dB (in default motor speed)

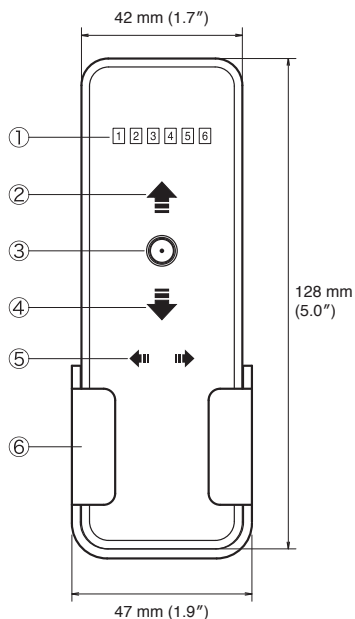


FM Remote-Control Transmitter

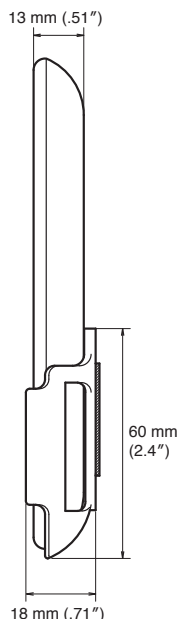
Top view



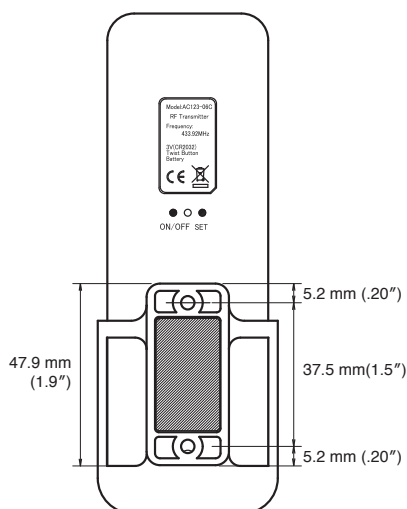
Front view



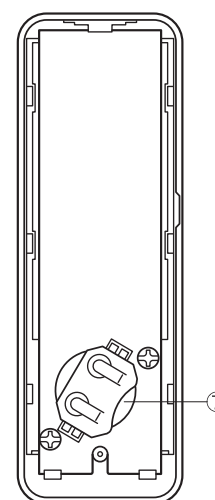
Side view



Back view



Inside view



Parts Name



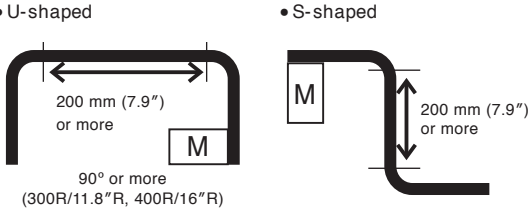

①	Address No. LED Indicator Lamp
②	Open Button
③	Stop Button
④	Close Button
⑤	Address No. Setting Button
⑥	Holder
⑦	Lithium Battery (CR2032)

Specification

Source Voltage	DC3V (CR2032 X 1)
Source Current	20 mA or lower
Wave Frequency	433.92 MHz
Number of Channel	1-6 (ALL for 6 CH)
Ambient Temperature	-10-50°C (Non-condensing)
Reaching Distance	30 m (varies depending on the condition)
Product Size	W 42 mm X H 128 mm X D 13 mm
Product Weight	Approx. 58 g



Applicable Range

Specifications		Curtain Weight ^{*5}	Product Length
Straight		One-way Draw	40 kg (88 lb)
		Two-way Draw	40 kg (88 lb) [One-way Draw: 20 kg (44 lb)]
Single Curve ^{*1}	 <p>90° or more (300R/11.8"R, 400R/16"R)</p>	One-way Draw	15 kg (33 lb)
		Two-way Draw	15 kg (33 lb) [One-way Draw: 7 kg (15.4 lb)]
Two Curves ^{*2}	 <p>• U-shaped 200 mm (7.9") or more 90° or more (300R/11.8"R, 400R/16"R)</p> <p>• S-shaped 200 mm (7.9") or more</p>	One-way Draw	15 kg (33 lb)
		Two-way Draw	15 kg (33 lb) [One-way Draw: 7 kg (15.4 lb)]
Overall Curve Half ^{*3}	 <p>1,000R (39"R) or more</p>	One-way Draw	15 kg (33 lb)
		Two-way Draw	15 kg (33 lb) [One-way Draw: 7 kg (15.4 lb)]

^{*1} With regular curve radius of 300R (11.8"R) or 400R (16"R), curve bending is available in the range of 90° to 179°.

^{*2} With regular curve radius of 300R (11.8"R) or 400R (16"R), curve bending is available in the range of 90° to 179°.

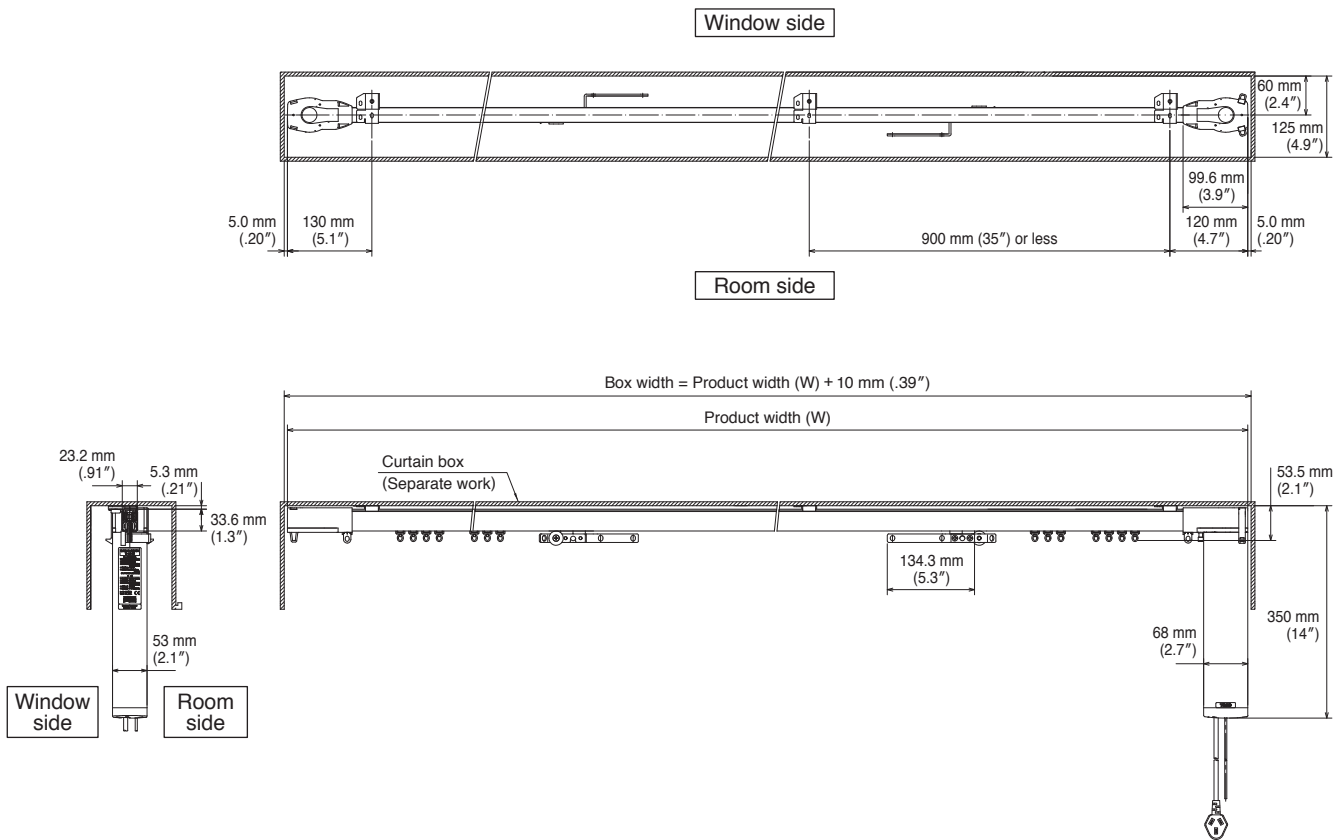
^{*3} Overall curve half is available with a curve radius of 1,000R (39"R) or more. The number of splice is one piece only, and two tracks need to be spliced in the center.

^{*4} A splice between two curves requires at least 400 mm (16") of a straight portion, and a non-splice between two curves requires at least 200 mm (7.9") of a straight portion.

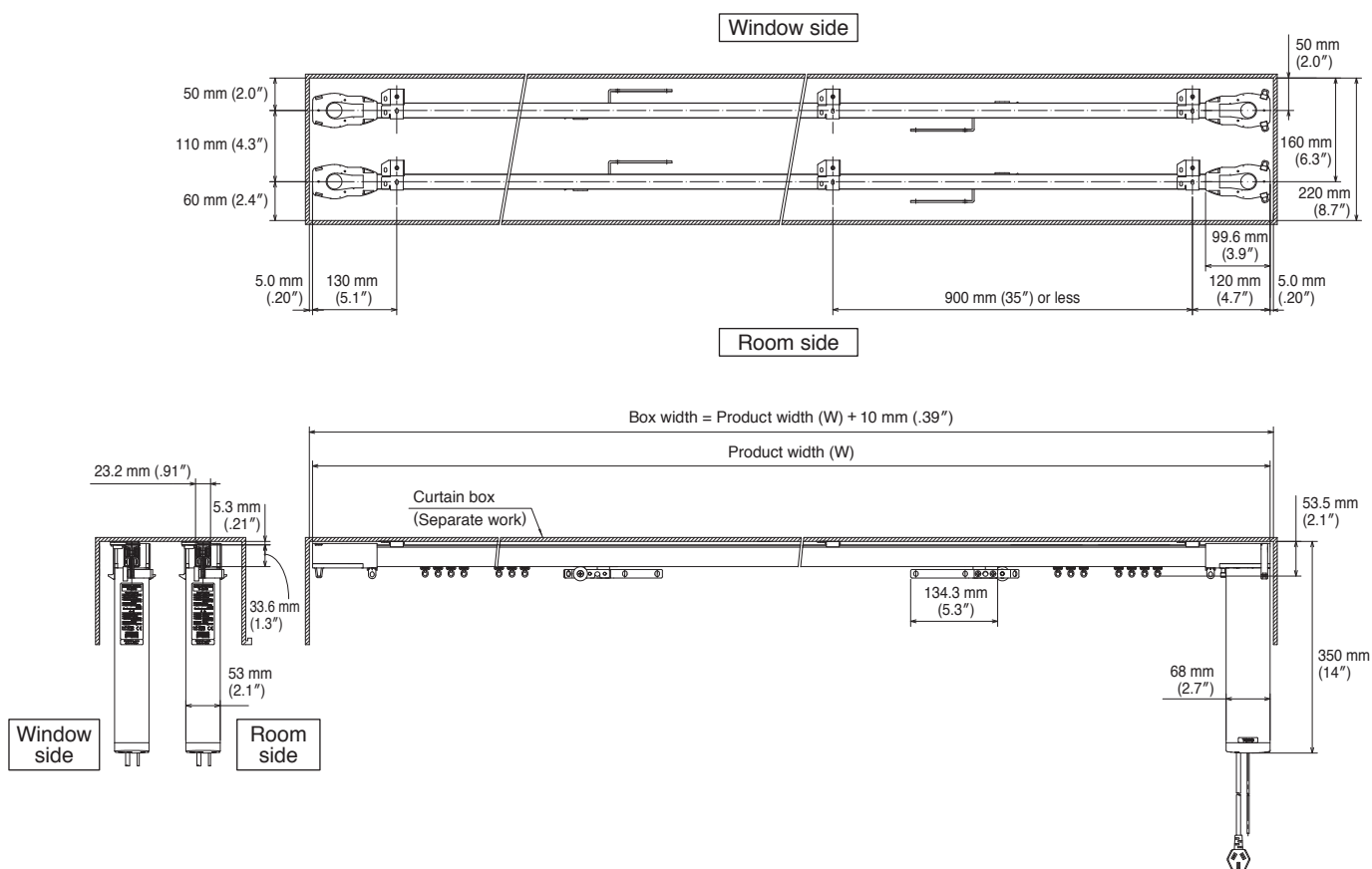
^{*5} An allowable curtain load per roller is 1.5 kg (3.3 lb) or less.

Installation Dimensions and Diagram

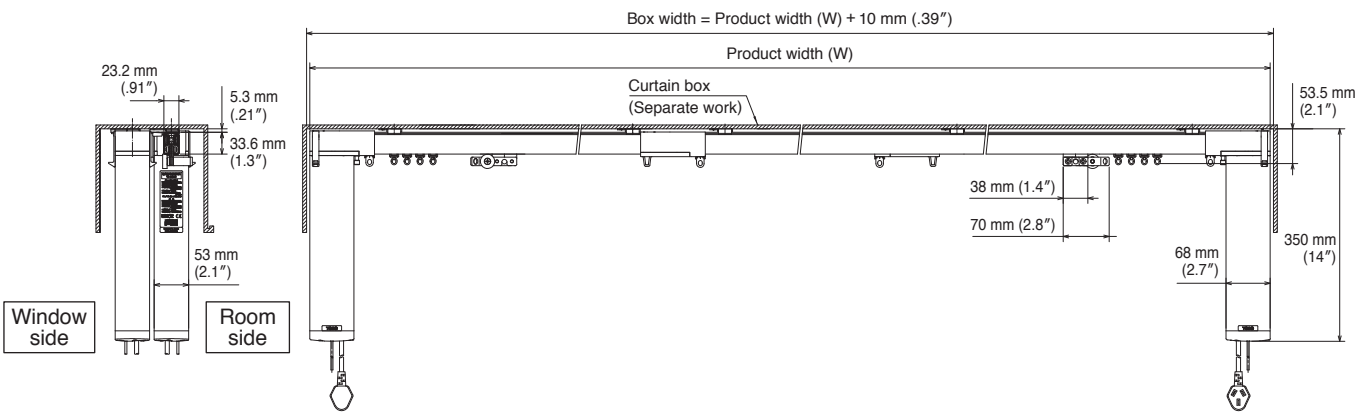
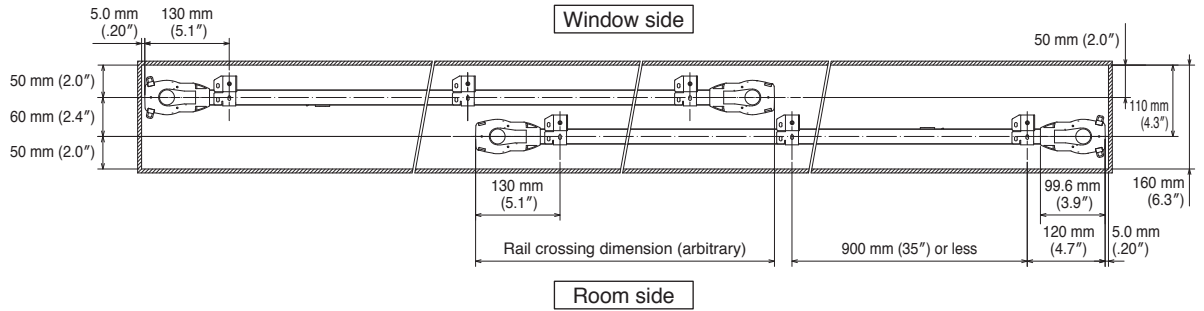
One-way draw: ceiling single attachment



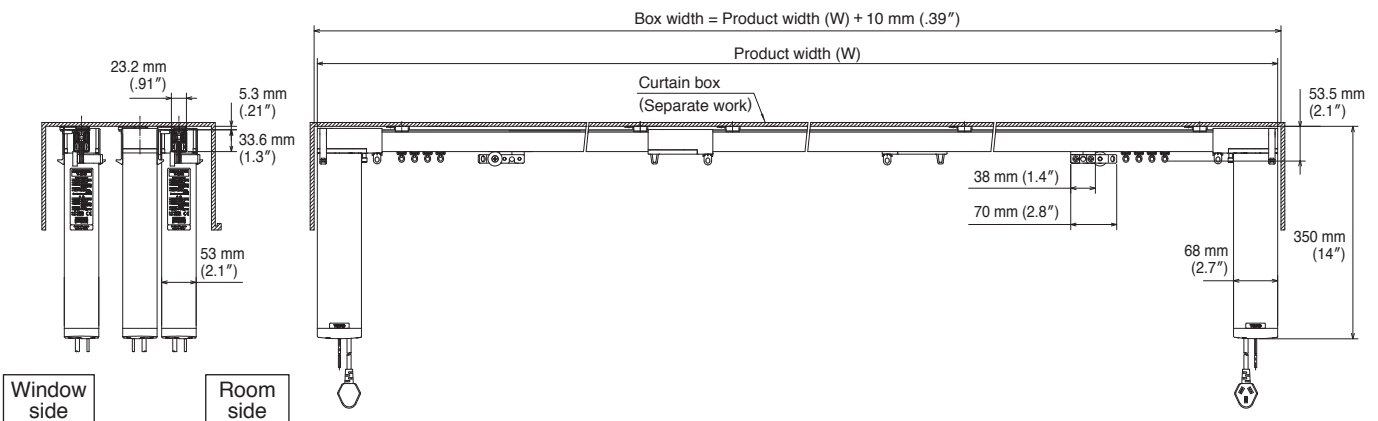
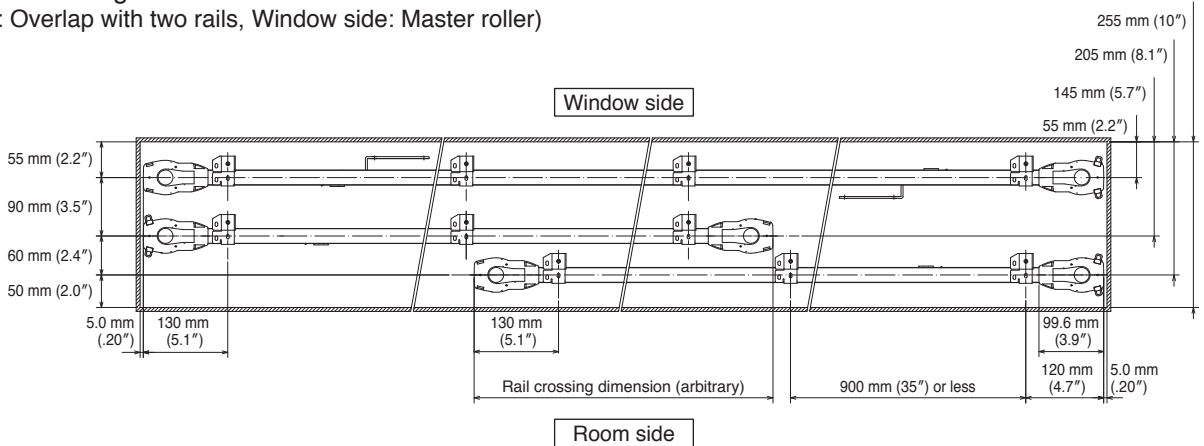
Two-way draw: ceiling double attachment



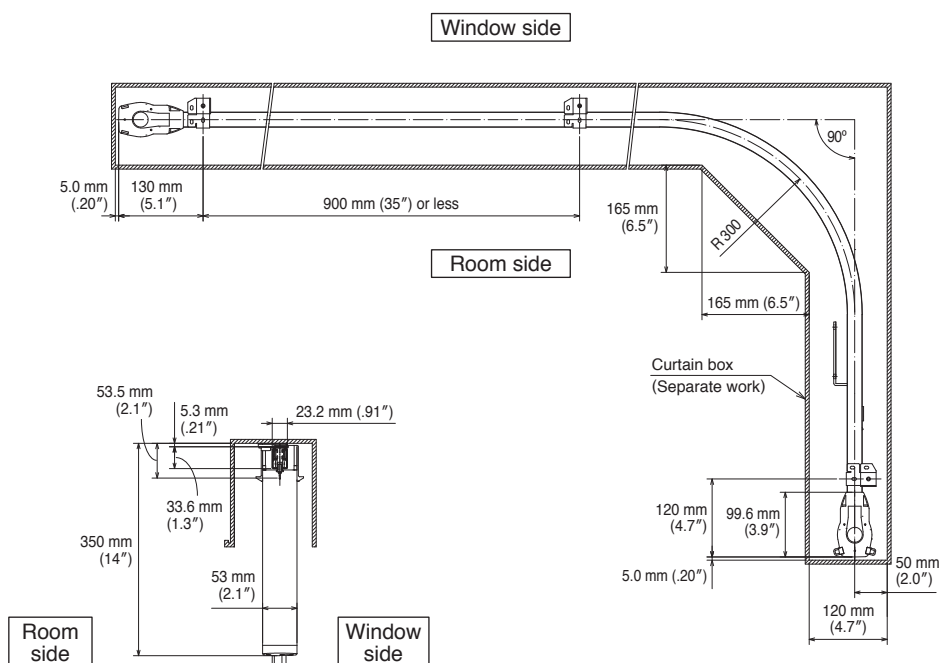
Two-way draw: ceiling single attachment
(Overlap rail)



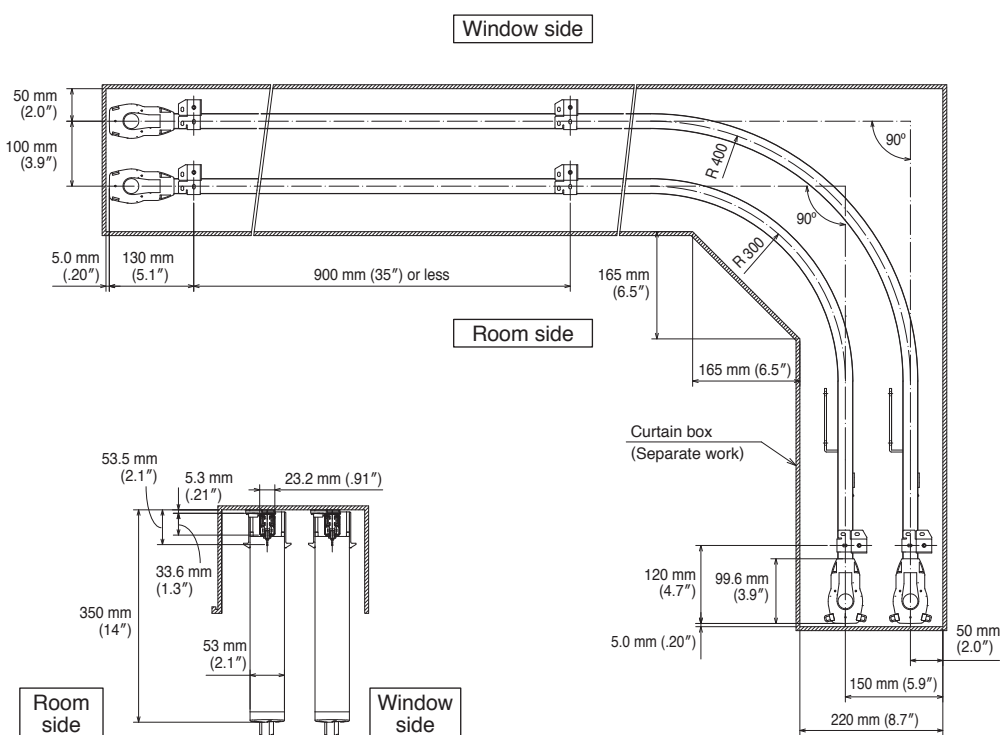
Two-way draw: ceiling double attachment
(Room side: Overlap with two rails, Window side: Master roller)



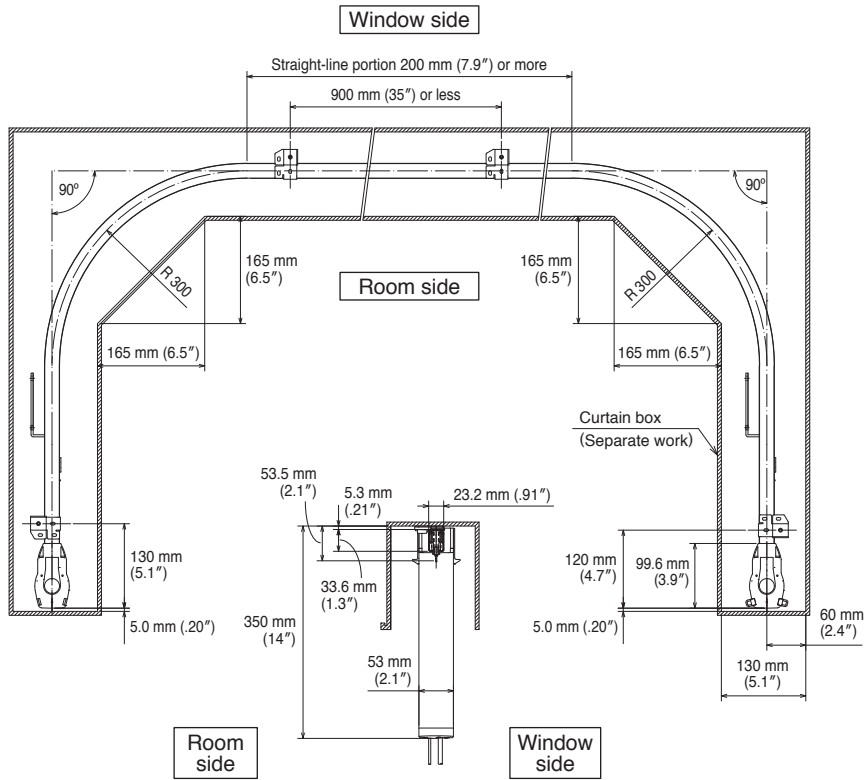
Single curve: ceiling single attachment



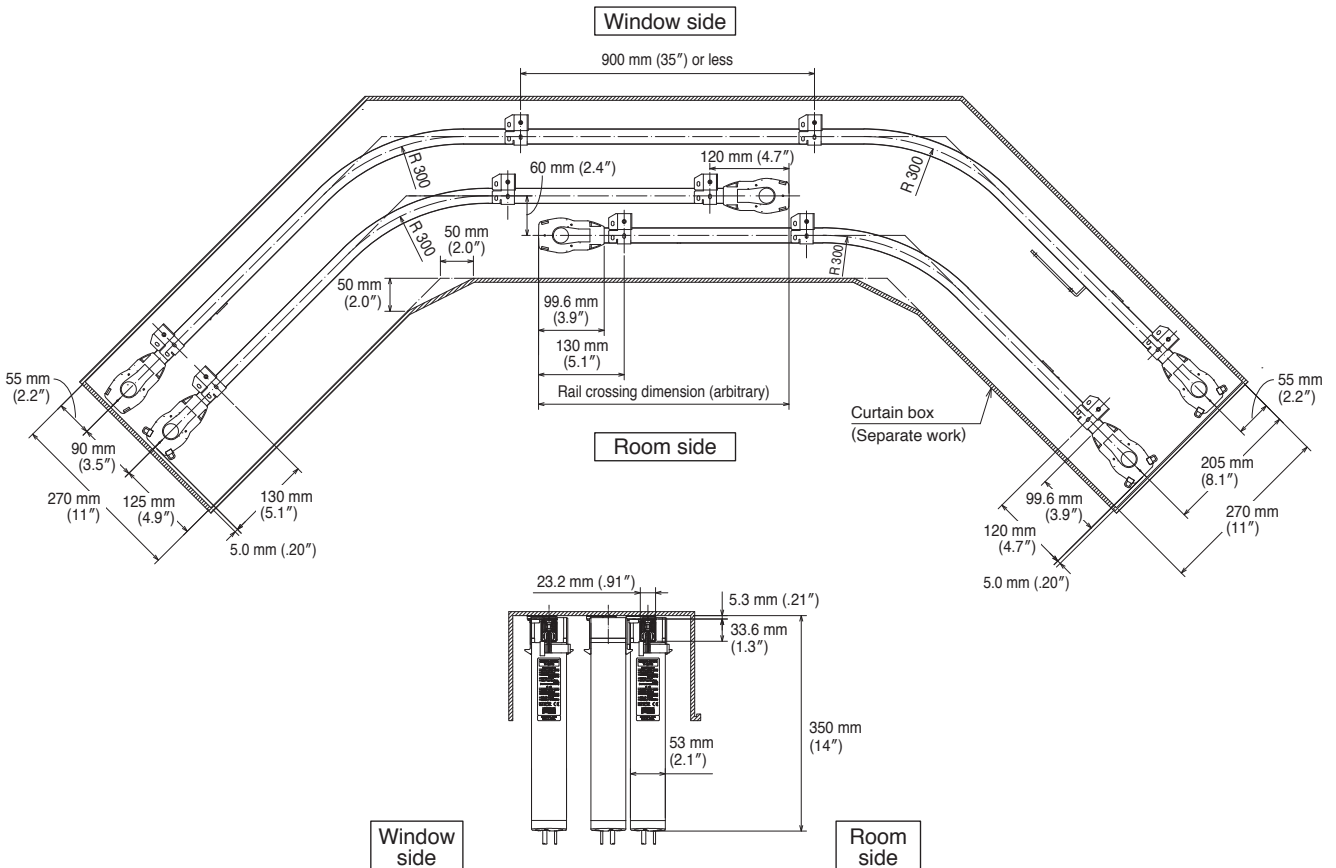
Single curve: ceiling double attachment



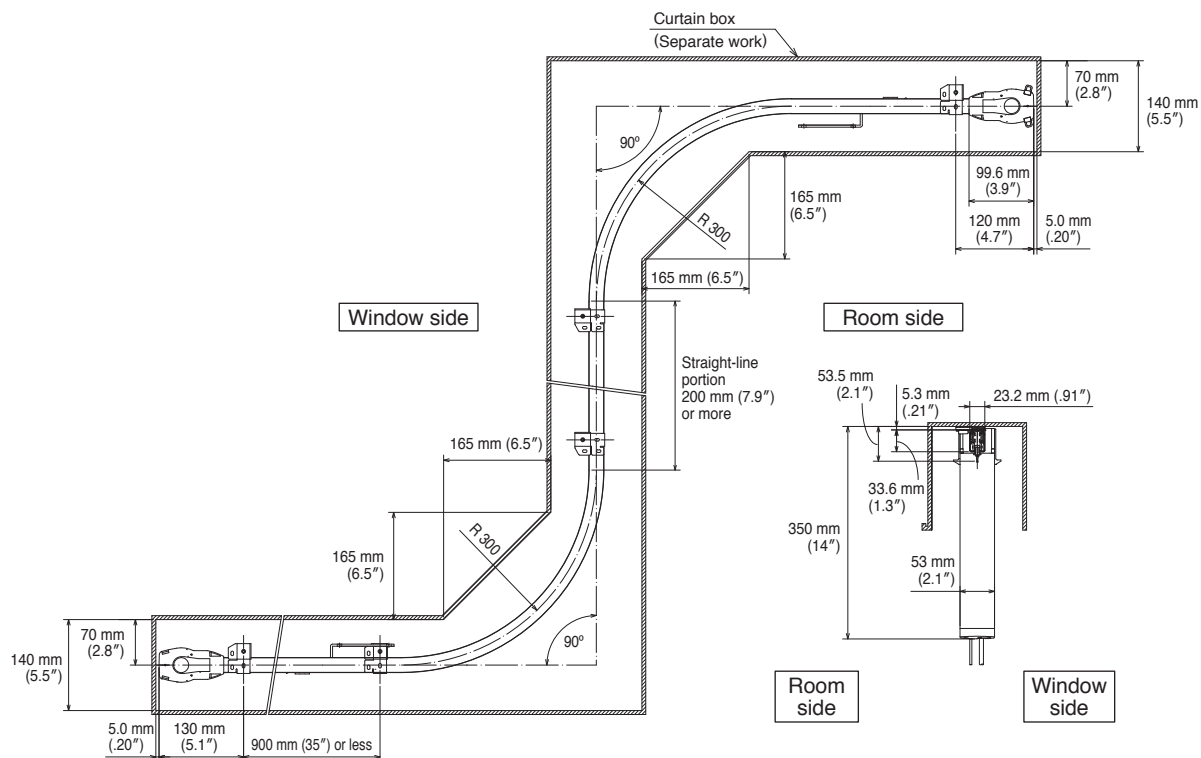
Two curves: ceiling single attachment



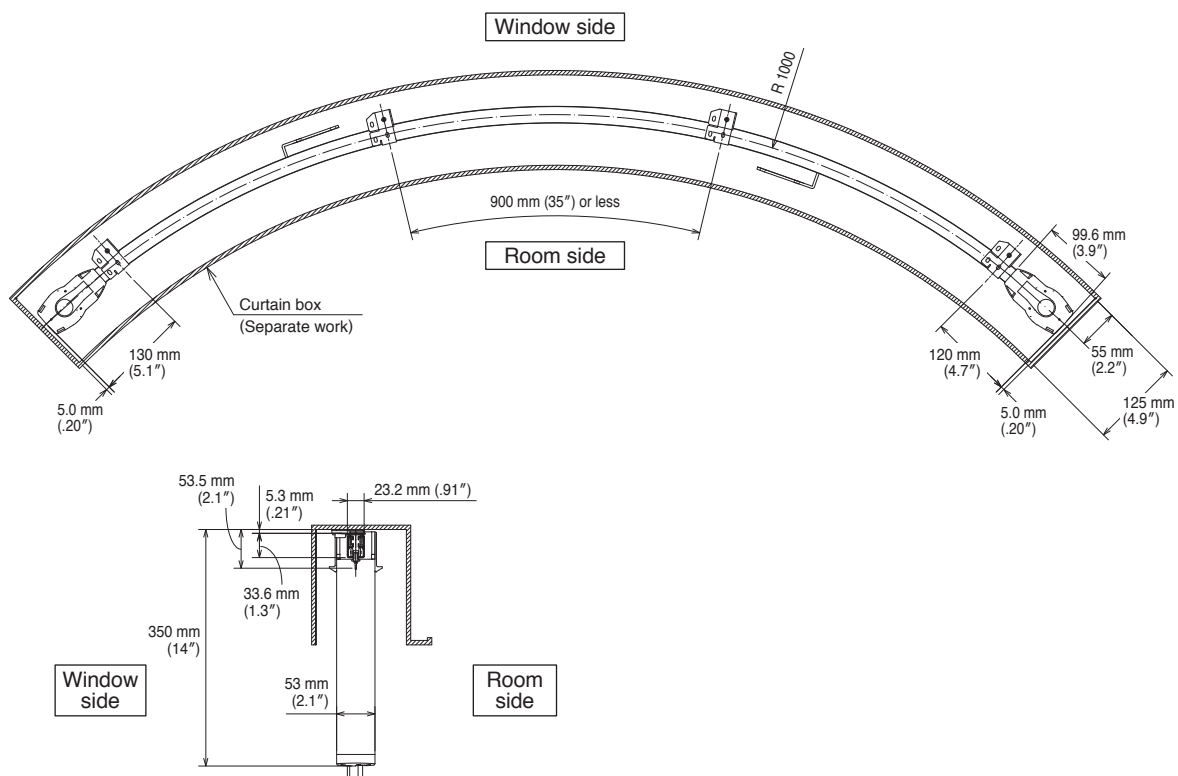
Two curves: ceiling single attachment
 (Room side: Overlap with two rails, Window side: Master roller)



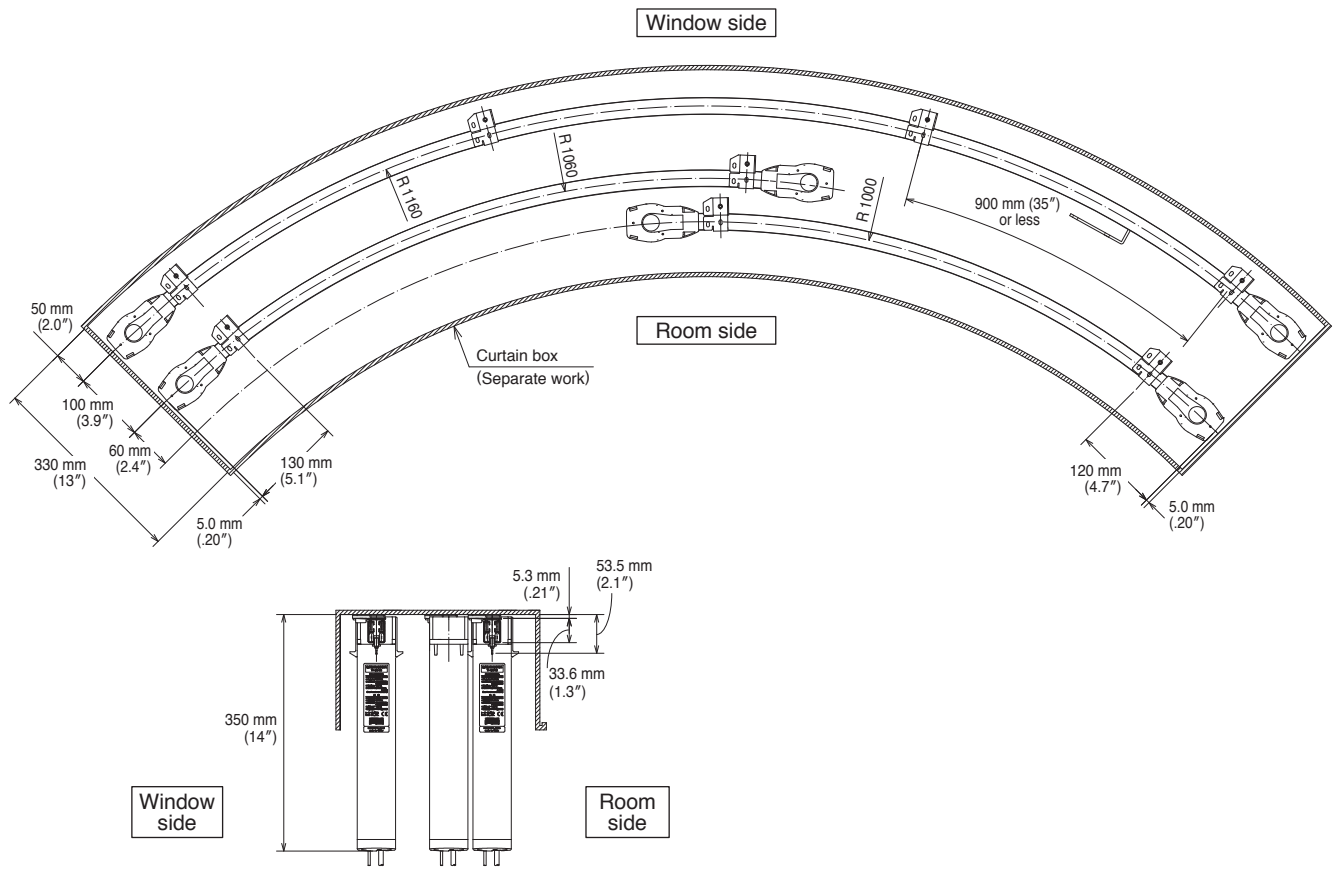
Two curves (S-shaped): ceiling single attachment



Overall curve: ceiling single attachment



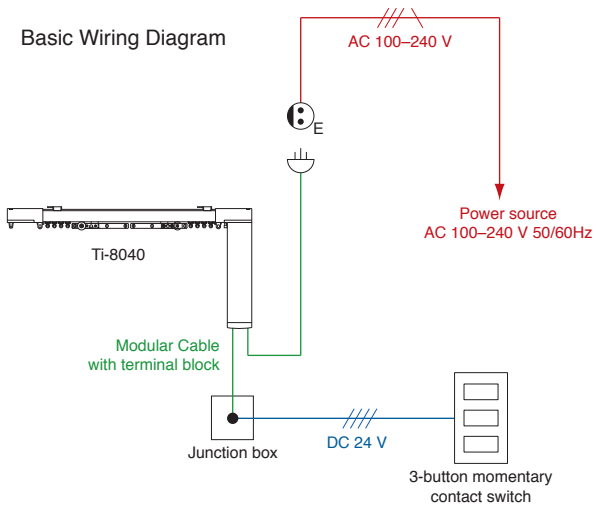
Overall curve half: ceiling double attachment
 (Room side: Overlap with two rails, Window side: Master roller)



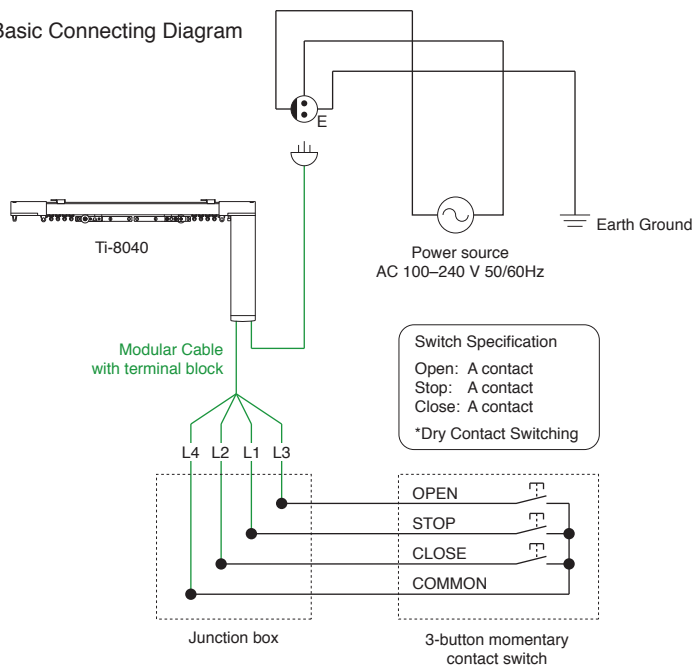
Basic Wiring and Connecting Diagram

Single Operation

Basic Wiring Diagram

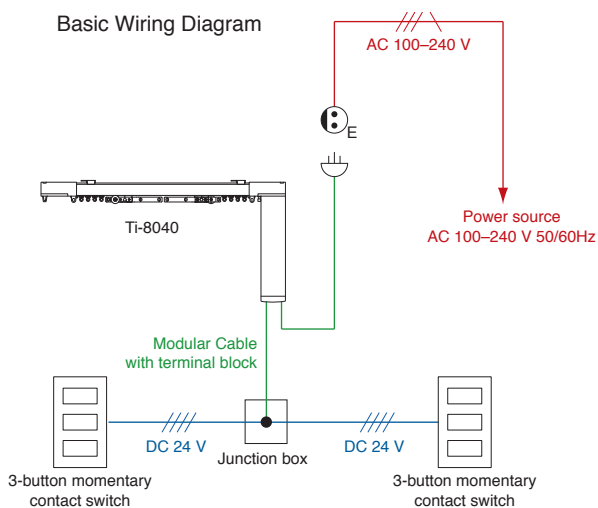


Basic Connecting Diagram

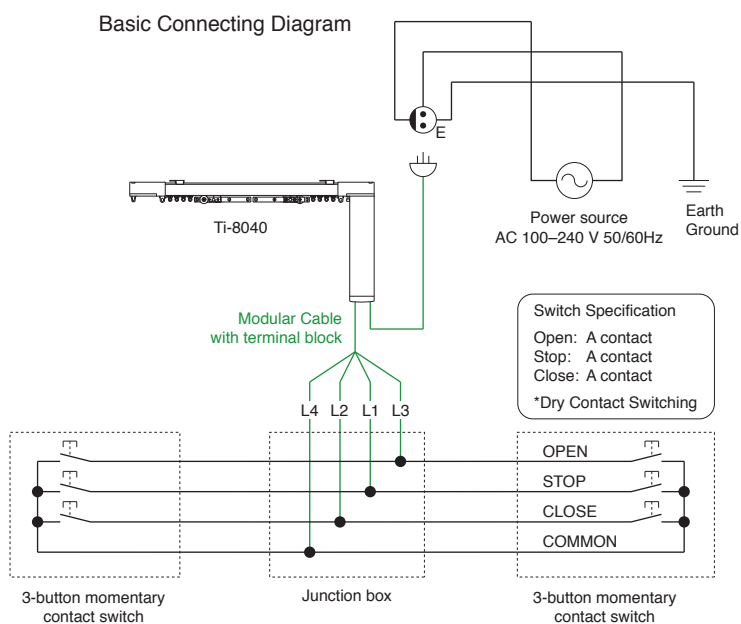


Operation from Two Locations

Basic Wiring Diagram



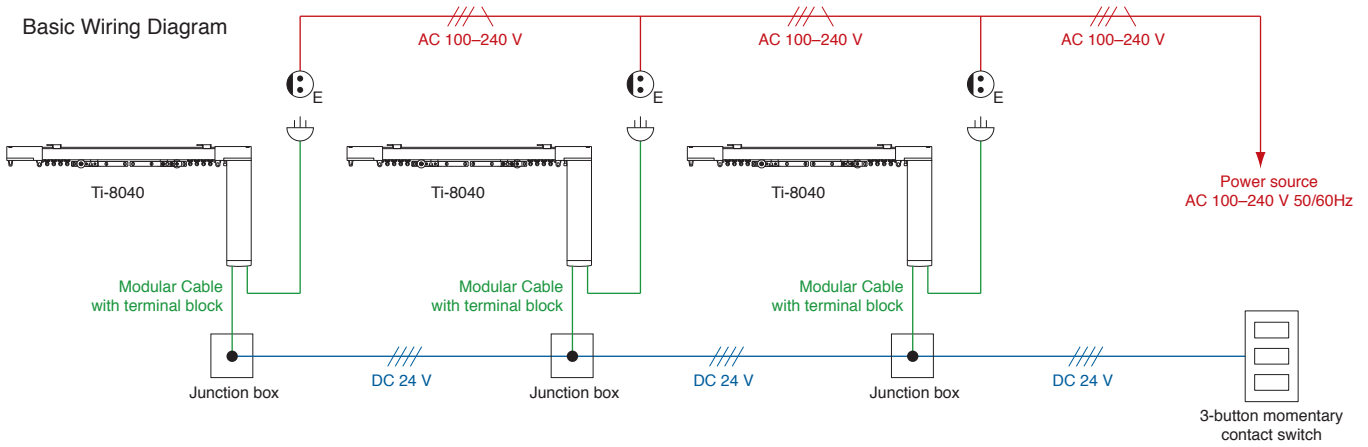
Basic Connecting Diagram



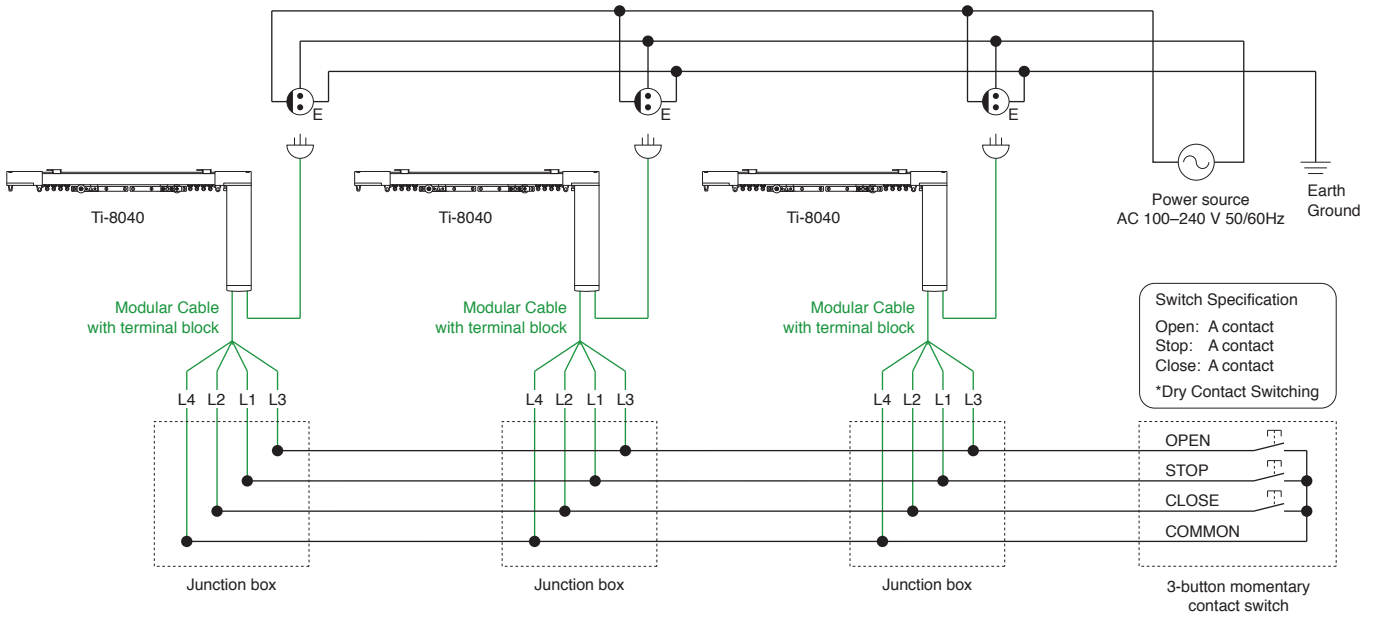
Explanatory notes: — Power supply, — Low voltage control line, — Main body attachment or TOSO standard

Simultaneous Operation

Basic Wiring Diagram



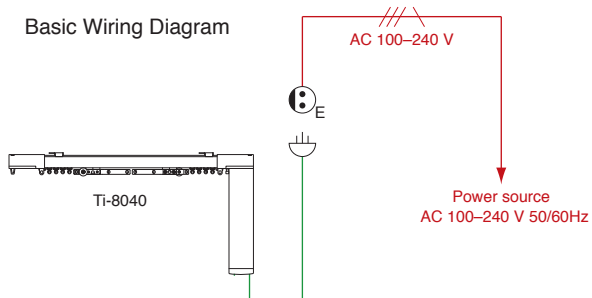
Basic Connecting Diagram



Explanatory notes: — Power supply, — Low voltage control line, — Main body attachment or TOSO standard

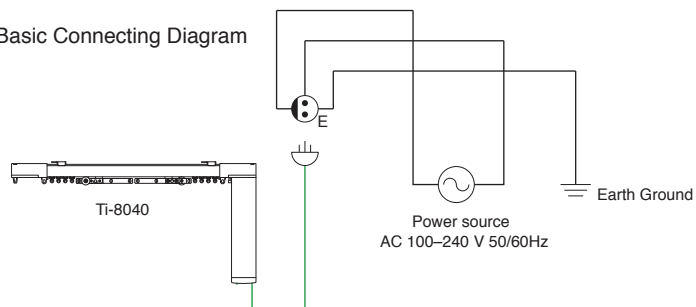
FM Remote-Control Built-in Receiver

Basic Wiring Diagram



FM Remote-Control Transmitter

Basic Connecting Diagram

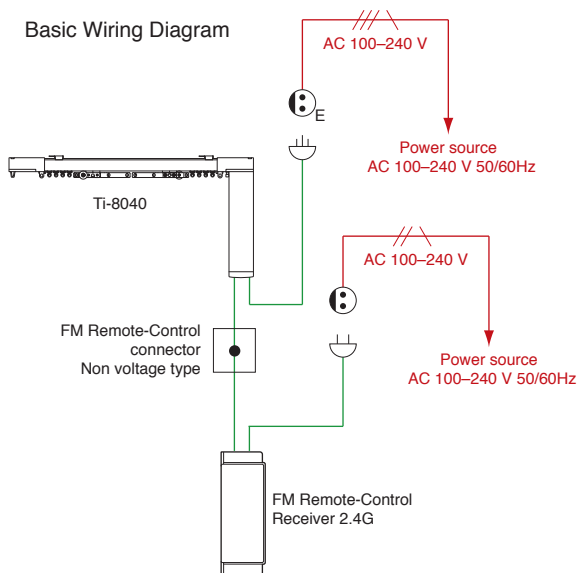


FM Remote-Control Transmitter

FM Remote-Control Receiver 2.4G

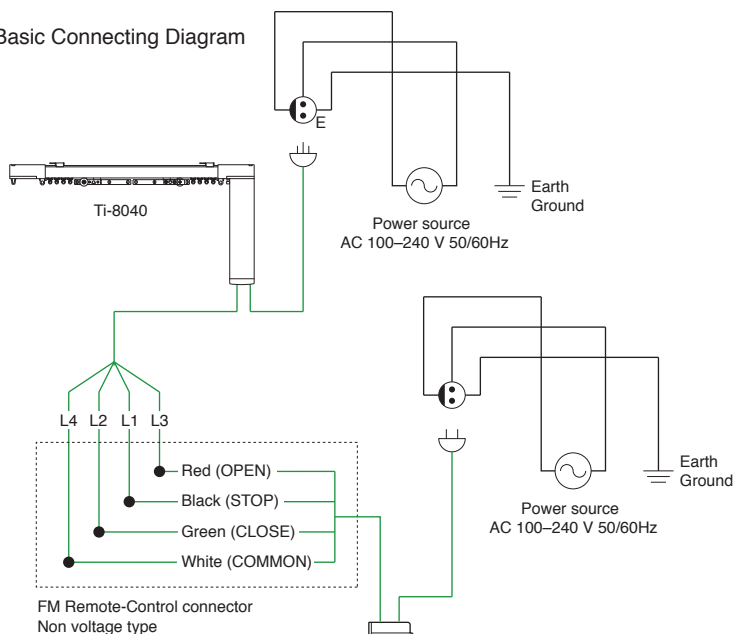
(Can operate with other TOSO motorized products by using FM Remote-Control 2.4G)

Basic Wiring Diagram



FM Remote-Control Transmitter 2.4G

Basic Connecting Diagram



FM Remote-Control Transmitter 2.4G

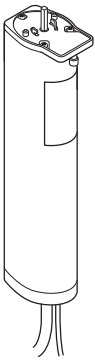
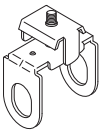
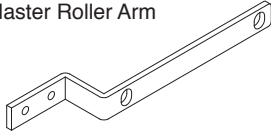
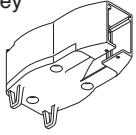
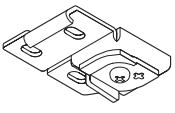
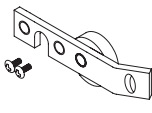


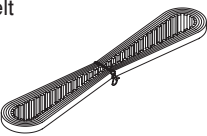
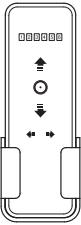
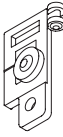
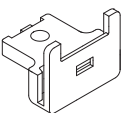
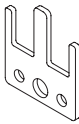
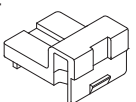
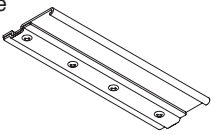
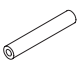
Explanatory notes: — Power supply, — Main body attachment or TOSO standard

Ti-8040 Rail

White Rail

Size	Product Code
5.00 m (197")	04990014

Ti-8040 Parts

Product Name	Product Code	Product Name	Product Code	Product Name	Product Code
Ti-8040 Motor Set 	30006904	Stop 	04990022	Master Roller Arm 	30006882
End Side Pulley 	30006881	Ceiling Single Bracket M 	30006884	Pilot Roller Plate with Wheel 	04990013
Motor Side Pulley 	30006880	Noiseless Roller 	04990006	Drive Belt 	30006883
FM Remote-Control Transmitter (6 channels) 	30006891	Pilot Roller 	04990007	Belt Joint 	04990009
		Joint Plate 	04990011	Belt Joint Cover 	04990010
				OT Splice 	04990020
				Splice Pin 	04990021