

Supertrac

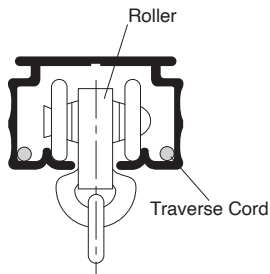


- Rollers assure smooth operation even with heavy curtains.
- Manual, cord draw and motor operation are possible.
- Can also be used for skylights, curved rails, IV bottles and picture rails.

Supertrac

Supertrac's Unique Features and Applications

Smooth opening and closing with grooves for rollers and Traverse Cords.

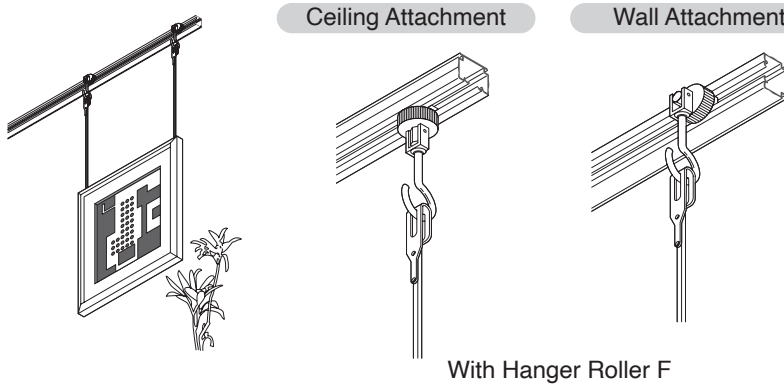


Motor operation using a curtain motor is another choice.

Extremely convenient for use with wide curtains or curtains located in high positions, and for opening and closing heavy curtains.

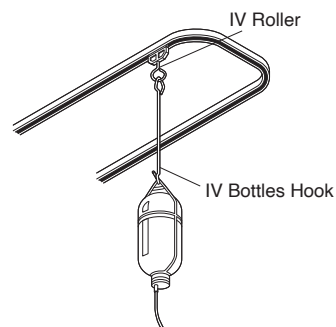


Useful as picture rail.



A wide range of IV rail parts are available.

The Roller is designed to automatically lock with the weight of an IV bottle and to effectively reduce noise.



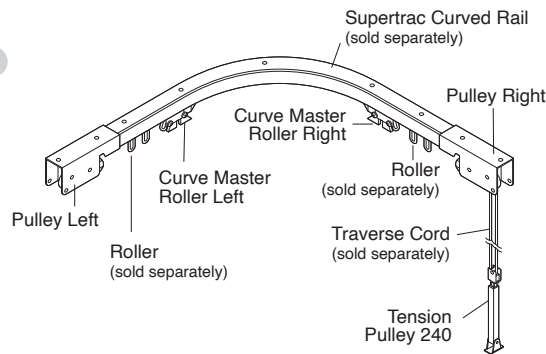
A wide range of cord-draw parts for Curved, Skylight and Overlap Rails are available.

As well as a regular cord draw, cord draws with special specifications can also be installed without any difficulty. Convenient cord-draw parts kits are also available.

- Cord Draw Parts Kit for Curved Rail
- Cord Draw Parts Kit for Skylight
 - *Supertrac Rail, Roller and Traverse Cord (3.5 mm/ 138") are not included.
- Cord Draw Parts Kit for Overlap Rail
 - *Supertrac Rail, Roller, Traverse Cord (3.5 mm/ 138"), Tension Pulley and installation screws are not included.

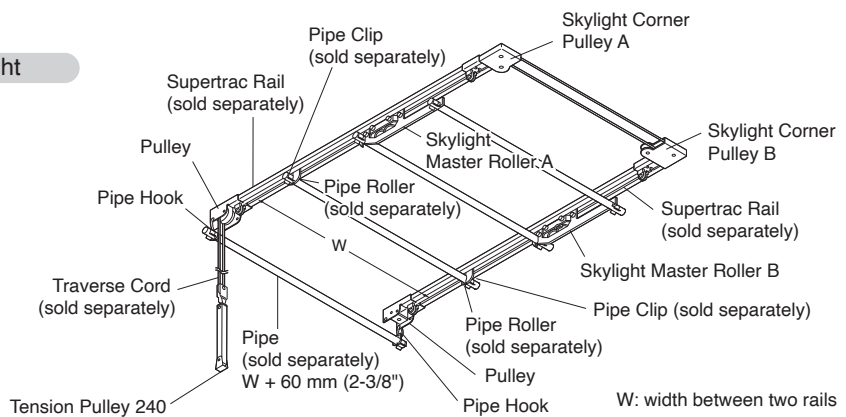
For Curved Rail

Cord Draw Parts Kit for Curved Rail



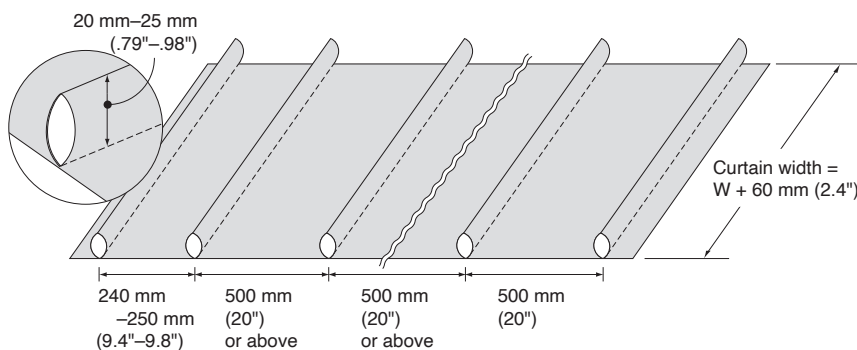
For Skylight

Cord Draw Parts Kit for Skylight



Sewing Method for Skylight Curtains

1. French seams to insert pipes should be 20–25 mm (.79"–.98").
2. Intervals between rollers should be of equal width and over 500 mm (20") except for Skylight Master Rollers (240–250 mm/9.4"–9.8").
3. Curtain width is the same size (Width + 60 mm/2.4") as the pipe.



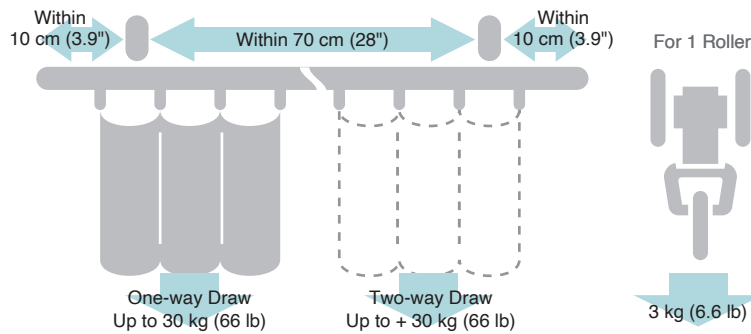
Skylight curtain with Supertrac and Cording Parts Kit for Skylight

Materials and Finishes

Parts	Material	Finish
Rail	Silver	Aluminum alloy extrusion material
	White	
Roller	Plate	Alumite
	Wheel	Alumite white
	Oval ring	Alumite white
Roller	Plate	Polyester
	Wheel	Polyester elastomer
	Oval ring	Stainless steel

Parts	Material	Finish
End Cap	Plate	Steel
	Spring plate	Bainitic steel
Bracket	Body	Aluminum
	Snap board	Steel

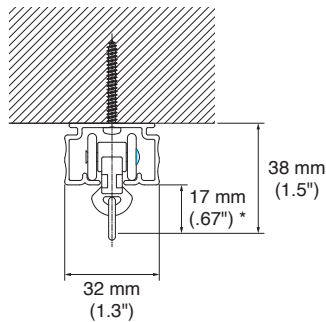
Bracket Installation Interval and Allowable Curtain Load



Installation Dimensions

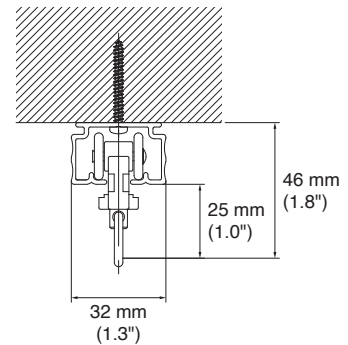
Ceiling Attachment

Direct attachment
(Roller used)

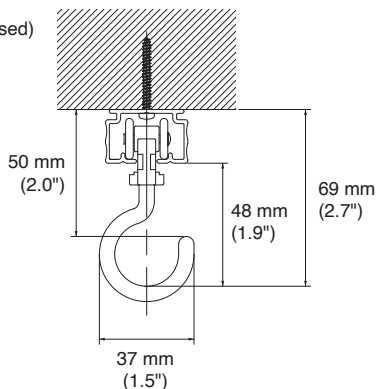


*23 mm (.91") if an OM roller is used.

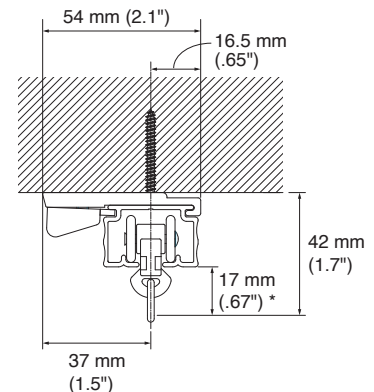
Direct attachment
(Swing Roller with Ring used)



Direct attachment
(Swing Roller with Hook used)



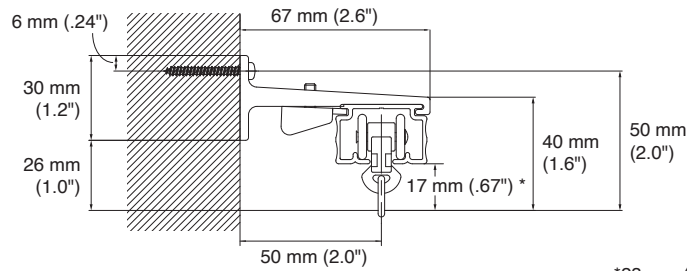
Ceiling Single Bracket
Bracket width = 46 mm (1.8")
(Roller used)



*23 mm (.91") if an OM roller is used.

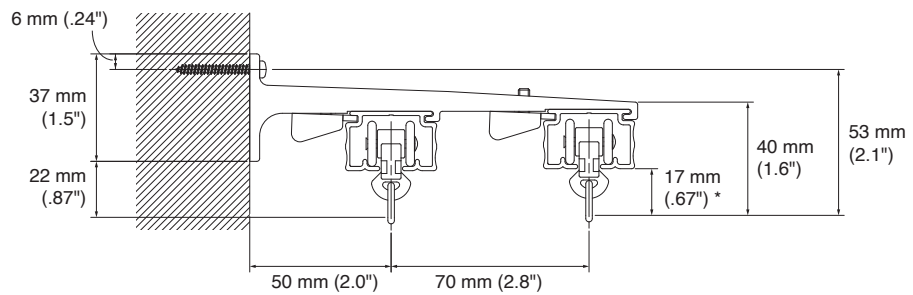
Wall Attachment

Single Bracket A
Bracket width = 20 mm (.79")
(Roller used)



*23 mm (.91") if an OM roller is used.

Double Bracket
Bracket width = 24 mm (.94")
(Roller used)



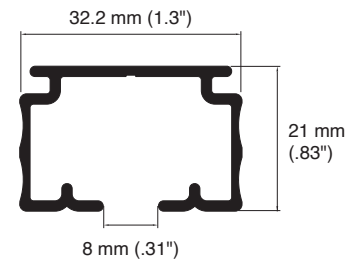
*23 mm (.91") if an OM roller is used.

Supertrac Rails

Silver



White

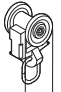
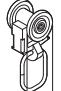


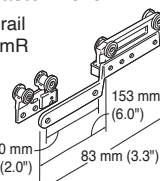
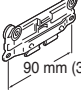
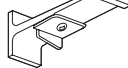
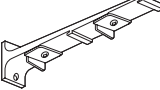


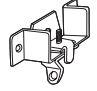




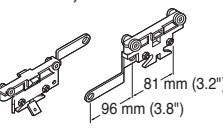
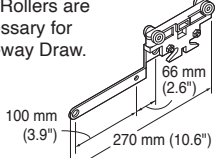
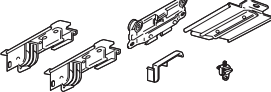
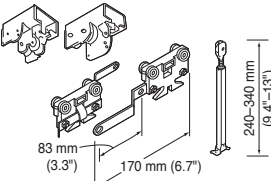
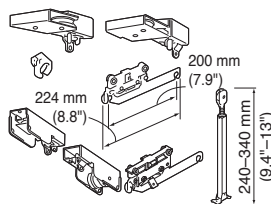
Size	Product Code	
	Silver	White
3.00 m (118")	00240023	00240093
4.00 m (157")	00240026	00240094
Curved Rail (500 mmR/20"R) 1.00 m x 1.00 m (39" x 39") (Ordered separately) ^{*1}	00240058	00240095



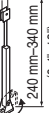

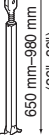
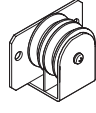
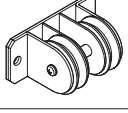
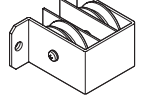
^{*1} Curved 1.00 m x 1.00 m (39" x 39") rails (ordered separately) are 500 mmR (20"R).

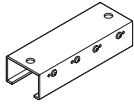
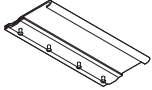
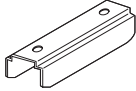


Note: Possible radius sizes—450 mmR (18"R), 800 mmR (31"R) or more

Supertrac Parts

Product Name		Product Code
Rollers	Roller  Allowable load: 3 kg/6.6 lb 18 mm (.71")	00240011
	OM Roller  Allowable load: 3 kg/6.6 lb 18 mm (.71")	00240010
	Swing Roller with Ring  Allowable load: 3 kg/6.6 lb	00240059
	Swing Roller with Hook  Allowable load: 3 kg/6.6 lb	00240056
	Overlap Master Roller For curved rail over 500 mmR (20"R).  153 mm (6.0") 50 mm (2.0") 83 mm (3.3")	00240006
	Pilot Roller (wire)  90 mm (3.5")	00240060
Brackets	Single Bracket A  Silver 00240018 White 00240068	
	Double Bracket  Silver 00240014 White 00240069	
	Ceiling Single Bracket A  Silver 00240016 White 00240070	
	Overhead Hanger  Silver 00240007 White 00240071	
	Wall Bracket  Silver 00240013 White 00240072	
	End Cap  Silver 00240019 White 00240073	
End Caps	End Stop  Silver 00240020	

Product Name		Product Code
Pulley Set	Silver	00240005
	White	00240075
Master Roller for Cord (Right & Left)  81 mm (3.2") 96 mm (3.8")		00240042
Long Master Roller Two Rollers are necessary for Two-way Draw.  100 mm (3.9") 270 mm (10.6") 66 mm (2.6")		00240045
Overlap Installation Kit  00240034		
Overlap Pulley (1 pair), Pilot Roller (2 pcs), End Stop (4 pcs), Overlap Bracket (1 pc), Cord Clip (10 pcs)		
Cord Draw Parts Kit for Curved Rail  83 mm (3.3") 170 mm (6.7") 240-340 mm (9.4"-13")		00240043
Curved Pulley (1 pair), Curved Master Roller (1 pair), Tension Pulley 240 (1 pc)		
Cord Draw Parts Kit for Skylight  200 mm (7.9") 224 mm (8.8") 240-340 mm (9.4"-13")		00240044
Skylight A & B Pulley (1 pair), Skylight Master Roller A & B (1 pair), Tension Pulley 240 (1 pc), Pipe Hook (2 pcs)		

Product Name		Product Code
Skylight Pipe Roller		00240037
Skylight Pipe Clip		00240046
Tension Pulley 240  240 mm-340 mm (9.4"-13")	White	00500005
Tension Pulley 450  450 mm-650 mm (18"-26")	Silver	00500007
Tension Pulley 650  650 mm-980 mm (26"-39")	Silver	00500008
Traverse Cord 3.5 mm DIA.	White	00580010
Support Pulley A 		00500009
Support Pulley B 		00500010
Support Pulley C 		00500011

Product Name		Product Code	
Cover Splice 	Silver	00240054	
	White	00240067	
OT Splice 	Silver	00240003	
	White	00240066	
Splice (for Aluminum rail) 		00240004	
IV Roller For a curve rail, use it together with a rail of 300 mmR (12"R) or longer. 		00240001	
Adjustable Hanger Rod A 	A170 (130–170 mm /5.1"–6.7")	Silver	00290034
		White	00290038
	A250 (170–250 mm /6.7"–9.8")	Silver	00290036
		White	00290039
	A400 (245–400 mm /9.6"–16")	Silver	00290017
		White	00290040
	A700 (395–700 mm /16"–28")	Silver	00290016
		White	00290041
	A1100 (595–1,100 mm /23"–43")	Silver	00290015
		White	00290042
	A1600 (845–1,600 mm /33"–63")	Silver	00290014
		White	00290043

* A Cover Splice can not be used with a Long Master Roller or Master Roller M (wire) Right/Left.

