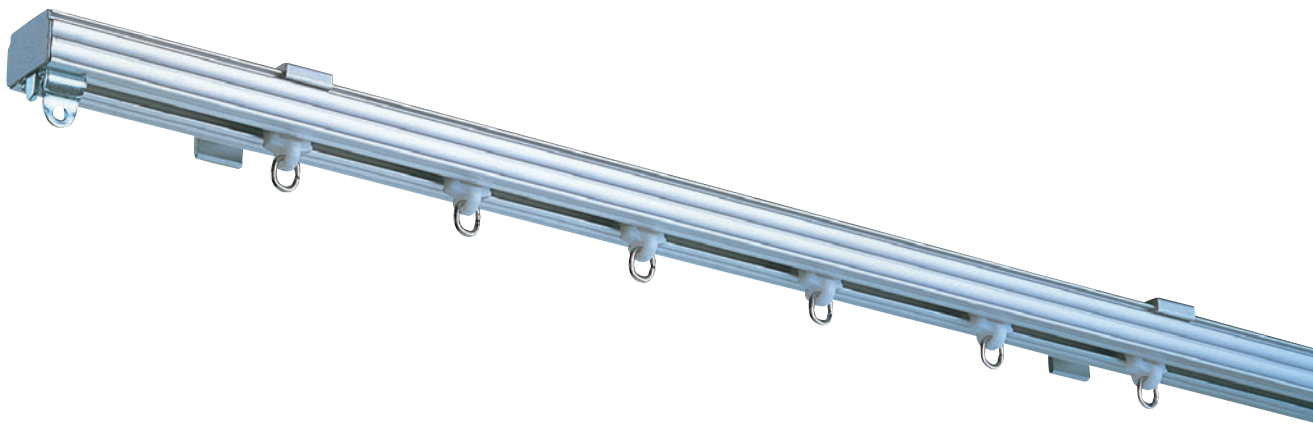


# Supertrac

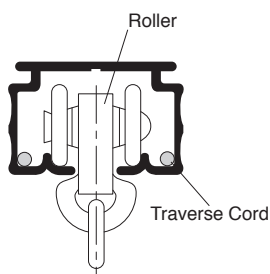


- Rollers assure smooth operation even with heavy curtains.
- Manual, cord draw and motor operation are possible.
- Can also be used for skylights, curved rails, IV bottles and picture rails.

# Supertrac

## Supertrac's Unique Features and Applications

**Smooth opening and closing with grooves for rollers and Traverse Cords.**

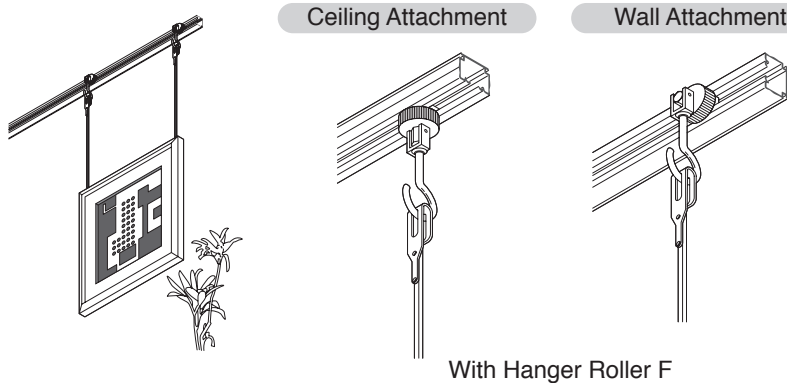


**Motor operation using a curtain motor is another choice.**

Extremely convenient for use with wide curtains or curtains located in high positions, and for opening and closing heavy curtains.

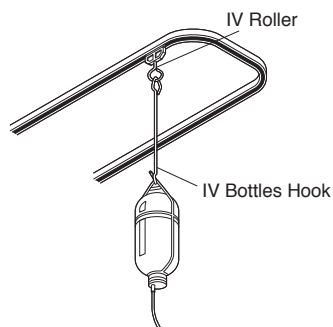


**Useful as picture rail.**



**A wide range of IV rail parts are available.**

The Roller is designed to automatically lock with the weight of an IV bottle and to effectively reduce noise.



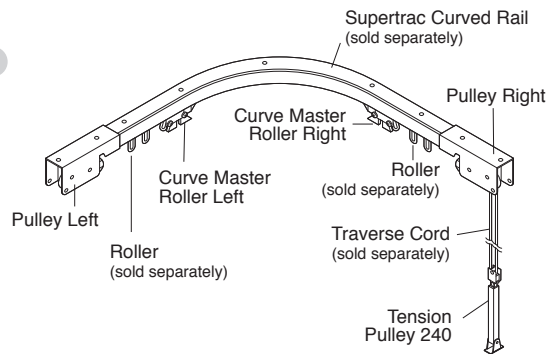
**A wide range of cord-draw parts for Curved, Skylight and Overlap Rails are available.**

As well as a regular cord draw, cord draws with special specifications can also be installed without any difficulty. Convenient cord-draw parts kits are also available.

- Cord Draw Parts Kit for Curved Rail
- Cord Draw Parts Kit for Skylight
  - \*Supertrac Rail, Roller and Traverse Cord (3.5 mm/ 138") are not included.
- Cord Draw Parts Kit for Overlap Rail
  - \*Supertrac Rail, Roller, Traverse Cord (3.5 mm/ 138"), Tension Pulley and installation screws are not included.

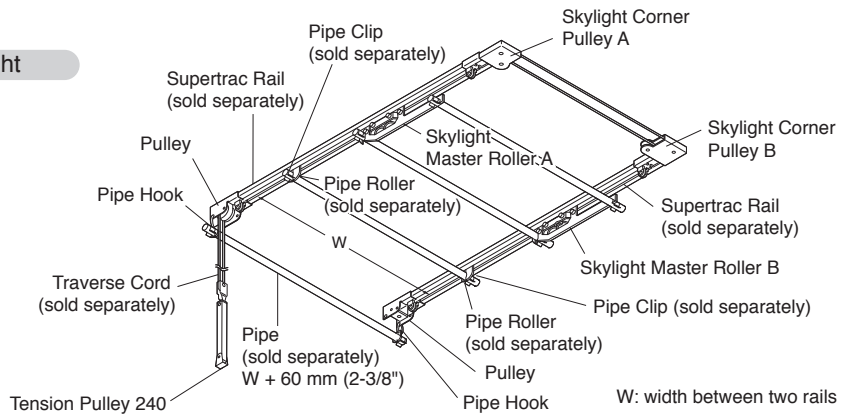
**For Curved Rail**

**Cord Draw Parts Kit for Curved Rail**



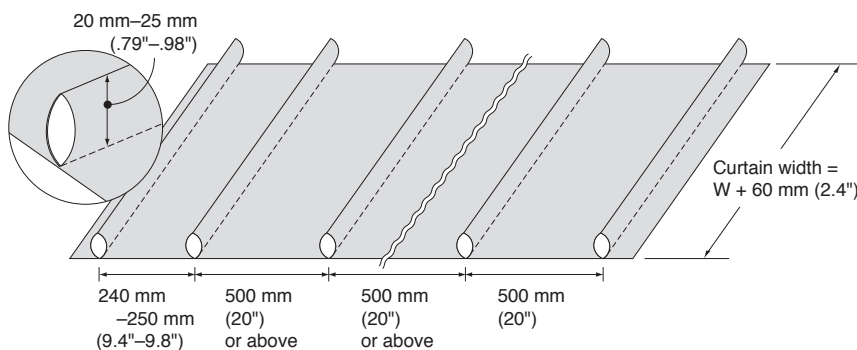
**For Skylight**

**Cord Draw Parts Kit for Skylight**



**Sewing Method for Skylight Curtains**

1. French seams to insert pipes should be 20–25 mm (.79"–.98").
2. Intervals between rollers should be of equal width and over 500 mm (20") except for Skylight Master Rollers (240–250 mm/9.4"–9.8").
3. Curtain width is the same size (Width + 60 mm/2.4") as the pipe.



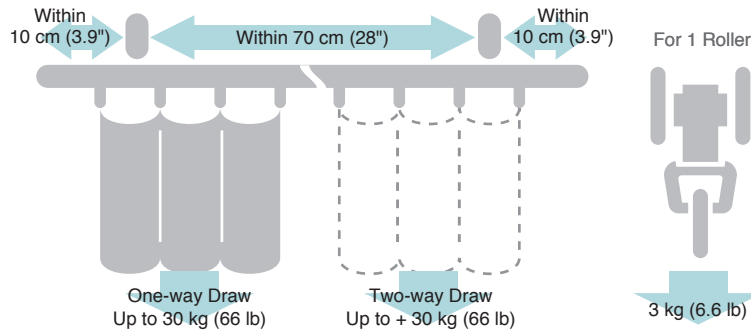
Skylight curtain with Supertrac and Cording Parts Kit for Skylight

## Materials and Finishes

Parts	Material	Finish
Rail	Silver	Aluminum alloy extrusion material
	White	
Roller	Plate	Alumite
	Wheel	Alumite white
	Oval ring	Alumite white
Roller	Plate	Polyester
	Wheel	Polyester elastomer
	Oval ring	Stainless steel

Parts	Material	Finish
End Cap	Plate	Steel
	Spring plate	Bainitic steel
Bracket	Body	Aluminum
	Snap board	Steel

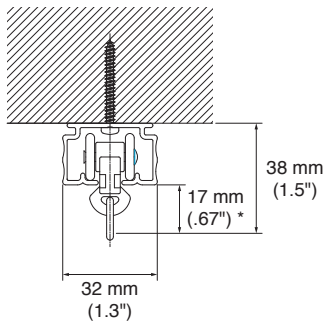
## Bracket Installation Interval and Allowable Curtain Load



## Installation Dimensions

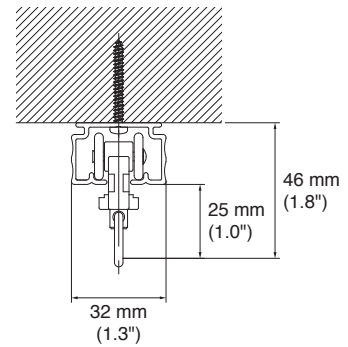
### Ceiling Attachment

Direct attachment  
(Roller used)

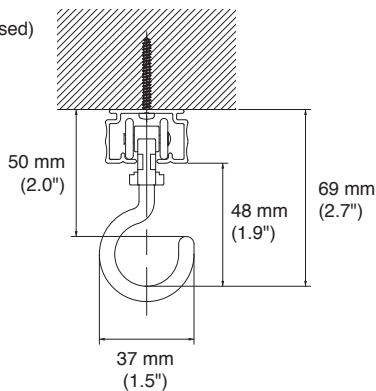


\*23 mm (.91") if an OM roller is used.

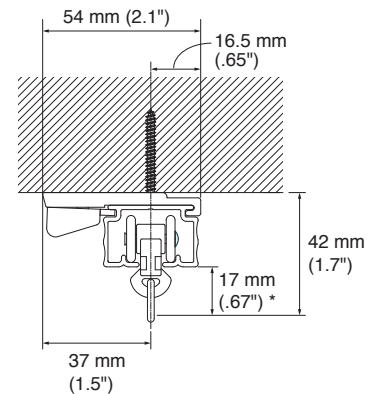
Direct attachment  
(Swing Roller with Ring used)



Direct attachment  
(Swing Roller with Hook used)



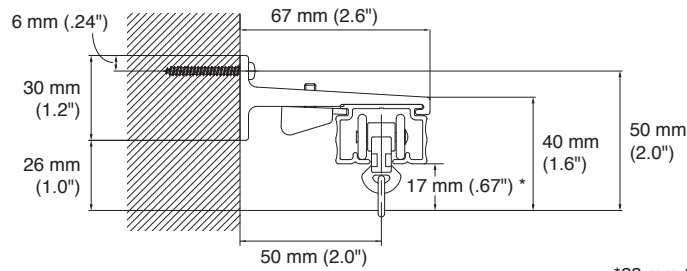
Ceiling Single Bracket  
Bracket width = 46 mm (1.8")  
(Roller used)



\*23 mm (.91") if an OM roller is used.

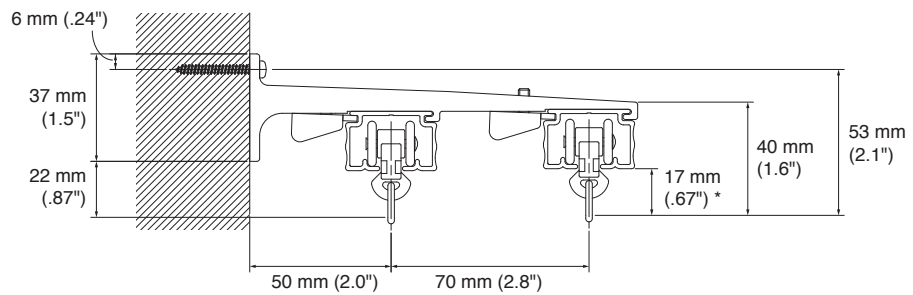
Wall Attachment

Single Bracket A  
Bracket width = 20 mm (.79")  
(Roller used)



\*23 mm (.91") if an OM roller is used.

Double Bracket  
Bracket width = 24 mm (.94")  
(Roller used)



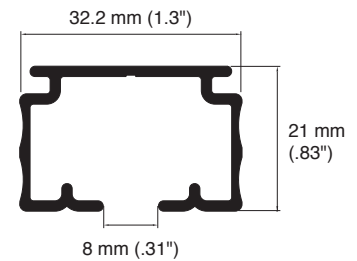
\*23 mm (.91") if an OM roller is used.

Supertrac Rails

Silver



White

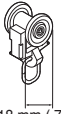
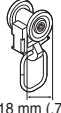

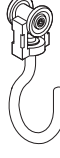
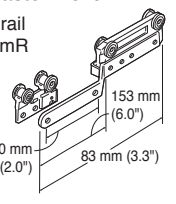
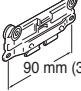
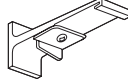
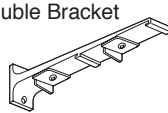
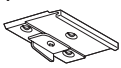

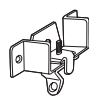
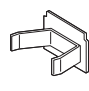



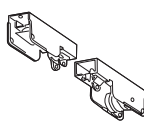
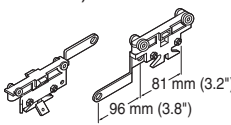
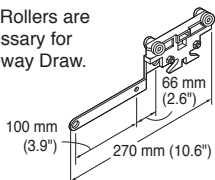
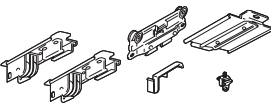
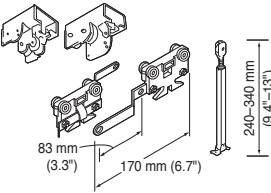
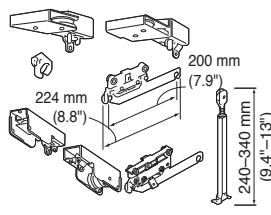
Size	Product Code	
	Silver	White
3.00 m (118")	00240023	00240093
4.00 m (157")	00240026	00240094
Curved Rail (500 mmR/20"R) 1.00 m x 1.00 m (39" x 39") (Ordered separately) *1	00240058	00240095



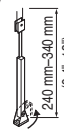
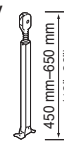
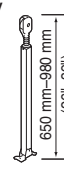
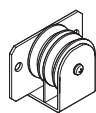
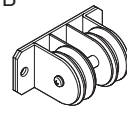
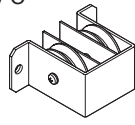
\*1 Curved 1.00 m x 1.00 m (39" x 39") rails (ordered separately) are 500 mmR (20"R).

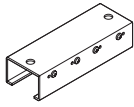
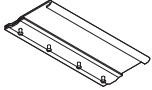
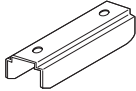
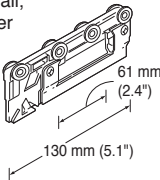


Note: Possible radius sizes—450 mmR (18"R), 800 mmR (31"R) or more

## Supertrac Parts

	Product Name	Product Code
Rollers	<b>Roller</b>  Allowable load: 3 kg/6.6 lb 18 mm (.71")	00240011
	<b>OM Roller</b>  Allowable load: 3 kg/6.6 lb 18 mm (.71")	00240010
	<b>Swing Roller with Ring</b>  Allowable load: 3 kg/6.6 lb	00240059
	<b>Swing Roller with Hook</b>  Allowable load: 3 kg/6.6 lb	00240056
	<b>Overlap Master Roller</b> For curved rail over 500 mmR (20"R).  153 mm (6.0") 50 mm (2.0") 83 mm (3.3")	00240006
	<b>Pilot Roller (wire)</b>  90 mm (3.5")	00240060
Brackets	<b>Single Bracket A</b>  Silver 00240018 White 00240068	
	<b>Double Bracket</b>  Silver 00240014 White 00240069	
	<b>Ceiling Single Bracket A</b>  Silver 00240016 White 00240070	
	<b>Overhead Hanger</b>  Silver 00240007 White 00240071	
	<b>Wall Bracket</b>  Silver 00240013 White 00240072	
	<b>End Cap</b>  Silver 00240019 White 00240073	
End Caps	<b>End Stop</b>  Silver 00240020	

Product Name	Product Code
<b>Pulley Set</b>  Silver 00240005 White 00240075	
<b>Master Roller for Cord (Right &amp; Left)</b>  81 mm (3.2") 96 mm (3.8")	00240042
<b>Long Master Roller</b> Two Rollers are necessary for Two-way Draw.  100 mm (3.9") 270 mm (10.6") 66 mm (2.6")	00240045
<b>Overlap Installation Kit</b>  00240034	
Overlap Pulley (1 pair), Pilot Roller (2 pcs), End Stop (4 pcs), Overlap Bracket (1 pc), Cord Clip (10 pcs)	
<b>Cord Draw Parts Kit for Curved Rail</b>  83 mm (3.3") 170 mm (6.7") 240-340 mm (9.4"-13")	00240043
Curved Pulley (1 pair), Curved Master Roller (1 pair), Tension Pulley 240 (1 pc)	
<b>Cord Draw Parts Kit for Skylight</b>  200 mm (7.9") 224 mm (8.8") 240-340 mm (9.4"-13")	00240044
Skylight A & B Pulley (1 pair), Skylight Master Roller A & B (1 pair), Tension Pulley 240 (1 pc), Pipe Hook (2 pcs)	

Product Name	Product Code
<b>Skylight Pipe Roller</b>  00240037	
<b>Skylight Pipe Clip</b>  00240046	
<b>Tension Pulley 240</b>  240 mm-340 mm (9.4"-13")	White 00500005
<b>Tension Pulley 450</b>  450 mm-650 mm (18"-26")	Silver 00500007
<b>Tension Pulley 650</b>  650 mm-980 mm (26"-39")	Silver 00500008
<b>Traverse Cord 3.5 mm DIA.</b> White 00580010	
<b>Support Pulley A</b>  00500009	
<b>Support Pulley B</b>  00500010	
<b>Support Pulley C</b>  00500011	

Product Name		Product Code		
Other Parts	<b>Cover Splice</b>  (*1)	Silver	00240054	
		White	00240067	
	<b>OT Splice</b> 	Silver	00240003	
		White	00240066	
	<b>Splice (for Aluminum rail)</b> 		00240004	
	<b>Hanger Roller A</b> For a curve rail, use it together with a rail of 1050 mmR (41"R) or longer. 		00240021	
	<b>IV Roller</b> For a curve rail, use it together with a rail of 300 mmR (12"R) or longer. 		00240001	
	<b>Adjustable Hanger Rod A</b> 	A170 (130–170 mm /5.1"–6.7")	Silver	00290034
			White	00290038
		A250 (170–250 mm /6.7"–9.8")	Silver	00290036
			White	00290039
		A400 (245–400 mm /9.6"–16")	Silver	00290017
White			00290040	
A700 (395–700 mm /16"–28")		Silver	00290016	
		White	00290041	
A1100 (595–1,100 mm /23"–43")		Silver	00290015	
		White	00290042	
A1600 (845–1,600 mm /33"–63")		Silver	00290014	
		White	00290043	

\*1 A Cover Splice can not be used with a Long Master Roller or Master Roller M (wire) Right/Left.

